

07 FUKUTA®

INNOVATION / ENTHUSIASM / CREDIBILITY

MODEL
SF-112
FUKUTA SERVO MOTOR



產品規格 Standard

| | | | |
|---|--|----------|--------|
| 輸出 Output(kw) | 7.5 | 11 | 15 |
| 框號 Frame No. | 112L | 112XA | 112XB |
| 效率 Efficiency(%) | 90.0% | 90.5% | 90.5% |
| 功率因數 Power Factor | 0.903 | 0.895 | 0.906 |
| R1(Ω) @25°C | 0.368 | 0.233 | 0.174 |
| 極數 Poles | 4 | 4 | 4 |
| 轉動慣量 Rotor Inertia(kg·m ²) | 0.0153 | 0.0212 | 0.0282 |
| 激磁電流 Magnetizing Current(A) | 11.4 | 16.3 | 19.9 |
| 額定轉速 Rated Speed (rpm) | 2000 | 2000 | 2000 |
| 最高轉速 Max. Speed (rpm) | 7000 | 7000 | 7000 |
| 重量 Weight(kg) | 45.0 | 65 | 72.0 |
| 編碼器 Encoder | 1024PPR RS422 (Line-drive) / Push-Pull | | |
| 風扇 Elec. Fan | 1ø 230V 50/60Hz 82 / 100W | | |
| 軸承 Bearings | LS6308C3 | OS6306C3 | |

※ 鋼鑄殼之應用依需求為主

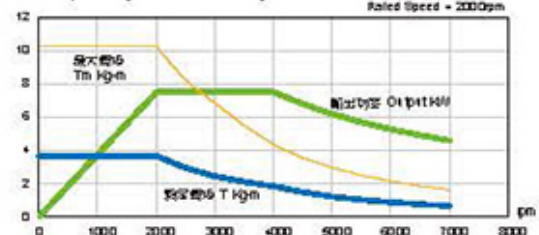
一般條件 General Data

| | |
|-----------------------------|---------------------------------|
| 安裝方式 Mounting | IM 2001(E3/E5) |
| 保護方式 Protection | IP54 |
| 轉子平衡 Rotor Balancing | R級 (ISO2373) R Degree |
| 絕緣等級 Insulation | H級 Class H |
| 冷卻系統 Cooling Sys. | 強制通風 Forced Air Cooled |
| 熱保護 Thermal Protection | 熱保護器 (常閉) Thermal Protector(NC) |
| 噪音 Noise | 80dBA |
| 周圍溫度 Ambient Temp. | -15°C~40°C |
| 高度 Altitude | 海拔1000米 1000m ASL |
| 溫度感測器 Temperature sensor | KTY-84 |

SF-112L

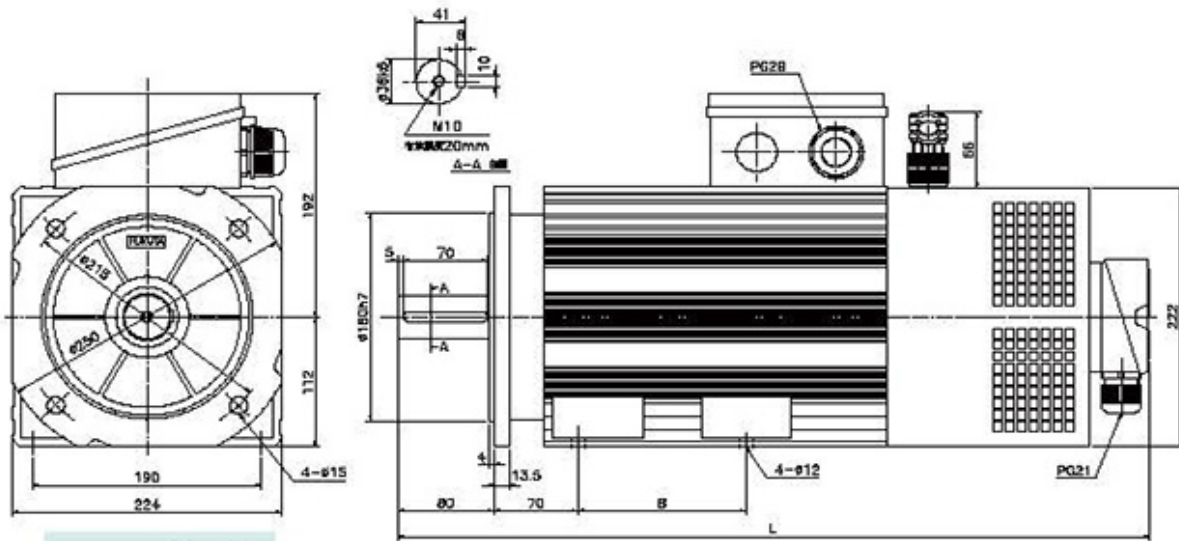
Torque Diagram / Power Diagram

Rated Output = 7.5kW
Rated Speed = 2000rpm



FUKUTA®

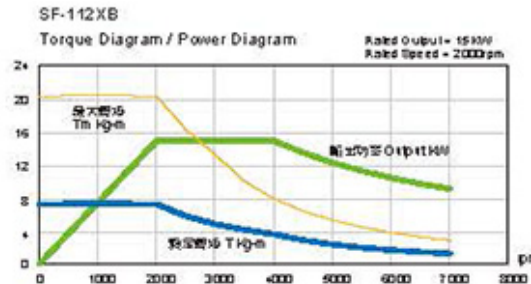
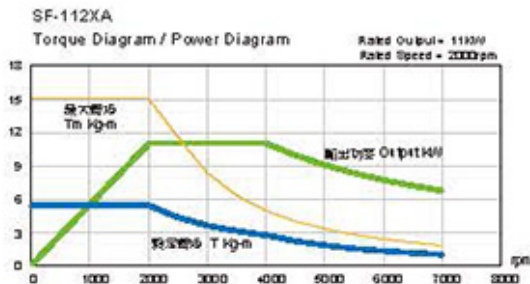
◎歡迎洽商標準產品以外，專用產業特性之開發和客製



| | B | L |
|-------|-----|-----|
| 112L | 140 | 625 |
| 112XA | 165 | 655 |
| 112XB | 245 | 735 |

FUKUTA® 伺服馬達規格之選用

| 框號 Fr. No. | 額定輸出 Rated Output | 額定轉速 Rated Speed | 最大轉矩 Max. Torque | 額定轉矩 Rated Torque | 額定電流 Rated Current | | | | 額定頻率 Rated Frequency |
|---------------|----------------------|---------------------|---------------------|----------------------|-----------------------|------|------|------|-------------------------|
| | | | | | 190V | 220V | 330V | 380V | |
| SF-112L | 5.5 | 1500 | 10.02 | 3.58 | 22.6 | 19.6 | 13.0 | 11.3 | 52.1 |
| | 7.5 | 2000 | 10.25 | 3.66 | 28.0 | 25.2 | 16.2 | 14.6 | 69.0 |
| | 10.0 | 3000 | 9.11 | 3.25 | 38.0 | 33.0 | 22.0 | 19.1 | 102.1 |
| | 12.0 | 4000 | 8.2 | 2.93 | 45.1 | 39.1 | 26.0 | 22.6 | 135.5 |
| SF-112XA | 8.2 | 1500 | 14.8 | 5.3 | 32.3 | 27.9 | 18.7 | 16.1 | 52.0 |
| | 11.0 | 2000 | 15.02 | 5.37 | 41.2 | 39.0 | 23.8 | 22.5 | 69.0 |
| | 15.0 | 3000 | 13.3 | 4.7 | 57.9 | 50.4 | 33.4 | 29.1 | 102.0 |
| SF-112XB | 16.5 | 4000 | 10.8 | 3.8 | 62.5 | 54.0 | 36.1 | 32.1 | 133.3 |
| | 11.0 | 1500 | 20.37 | 7.27 | 43.6 | 37.9 | 25.2 | 21.9 | 52.4 |
| | 15.0 | 2000 | 20.48 | 7.31 | 55.5 | 48.5 | 32.0 | 28.0 | 69.0 |
| | 20.0 | 3000 | 18.1 | 6.5 | 77.6 | 67.0 | 44.8 | 38.7 | 102.2 |
| | 25.0 | 4000 | 17.1 | 6.1 | 93.2 | 80.5 | 53.8 | 46.5 | 133.3 |



本型錄僅供參考，本公司保有修改之權利