

MODEL  
**SF-132**  
FUKUTA SERVO MOTOR



### 產品規格 Standard

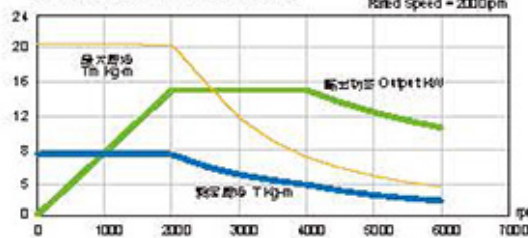
輸出 Output(kw)	15	18.5	22	30
框號 Frame No.	132MA	132MB	132L	132LA
效率 Efficiency(%)	90.2%	91.5%	92.1%	91.5%
功率因數 Power Factor	0.924	0.91	0.90	0.915
R1(Ω) @25°C	0.221	0.146	0.106	0.086
極數 Poles	4	4	4	4
轉動慣量 Rotor Inertia(kg·m <sup>2</sup> )	0.0404	0.0498	0.0608	0.0735
激磁電流 Magnetizing Current(A)	14.3	20.7	26.1	31.2
額定轉速 Rated Speed (rpm)	2000	2000	2000	2000
最高轉速 Max. Speed (rpm)	6000	6000	6000	6000
重量 Weight(kg)	77.5	87.0	107.0	123.0
編碼器 Encoder	1024PPR RS422(Line-drive)/Push-Pull			
風扇 Elec. Fan	1ø 230V 50/60Hz 105/145W			
軸承 Bearings	LS6309C3	OS6308C3		

※編碼器之應用以需求為主

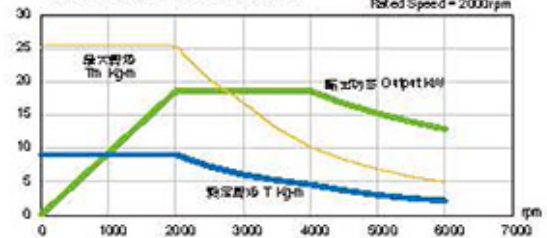
### 一般條件 General Data

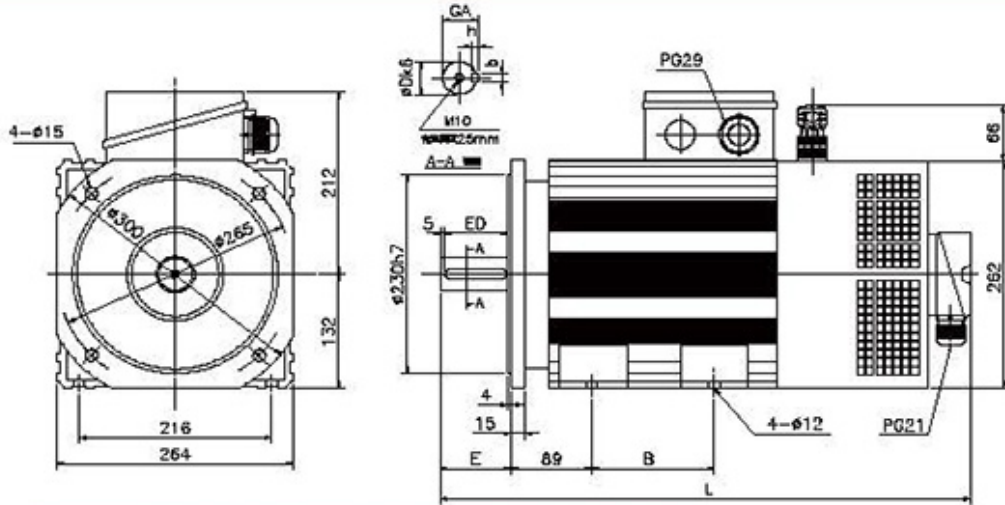
安裝方式 Mounting	IM 2001(E3/E5)
保護方式 Protection	<b>IP54</b>
轉子平衡 Rotor Balancing	F級 (ISO2373)R Degree
絕緣等級 Insulation	H級 Class H
冷却系統 Cooling Sys.	強制通風 Forced Air Cooled
熱保護 Thermal Protection	熱保護器 (常閉) Thermal Protector (NC)
噪音 Noise	80dBA
周圍溫度 Ambient Temp.	-15°C~40°C
高度 Altitude	海拔1000米 1000m ASL
溫度感測器 Temperature sensor	KTY-84

SF-132MA  
Torque Diagram / Power Diagram  
Rated Output = 15KW  
Rated Speed = 2000rpm



SF-132MB  
Torque Diagram / Power Diagram  
Rated Output = 18.5KW  
Rated Speed = 2000rpm

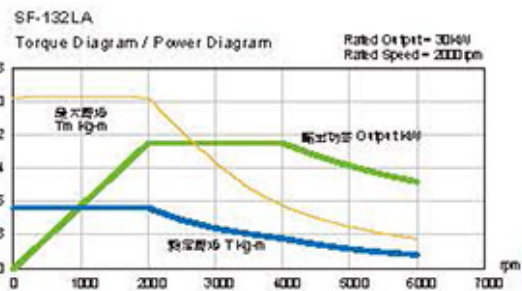
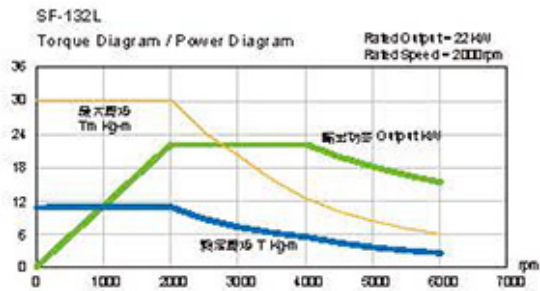




	B	D	E	ED	b	h	GA	L
132MA	138	38	80	70	10	8	41	595
132MB	178	42	110	100	12	8	45	665
132L	267	42	110	100	12	8	45	750
132LA	332	42	110	100	12	8	45	795

**FUKUTA® 伺服馬達規格之選用**

機號 Fr. No.	額定輸出 Rated Output	額定轉速 Rated Speed	最大轉矩 Max. Torque	額定轉矩 Rated Torque	額定電流 Rated Current				額定頻率 Rated Frequency
	kw	RPM	kg·m	kg·m	190V	220V	330V	380V	Hz
SF-132MA	11.0	1500	20	7.14	42.0	36.3	24.3	21.0	51.7
	15.0	2000	20.48	7.31	54.6	48.3	31.5	27.9	68.7
	20.0	3000	18.21	6.5	76.9	63.5	44.4	36.6	101.7
	25.0	4000	17.6	6.2	92.5	79.8	53.4	46.1	133.3
SF-132MB	13.8	1500	25.13	8.97	52.9	45.2	30.5	26.1	51.6
	18.5	2000	25.25	9.02	67.4	60.0	38.9	34.6	68.4
	26.0	3000	23.66	8.45	98.3	85.1	56.7	47.4	101.7
SF-132L	33.3	4000	23	8.2	121.5	104.9	70.1	60.6	133.3
	16.5	1500	30.3	10.72	63.2	54.6	36.5	31.5	51.5
	22.0	2000	30.03	10.72	80.6	71.1	46.5	41.1	68.2
SF-132LA	31.0	3000	28.2	10.07	117.6	99.1	67.9	57.2	101.5
	37.4	4000	25.7	9.1	136.0	117.4	78.5	67.8	133.3
	22.0	1500	40	14.2	84.6	73.1	48.9	42.2	51.7
	30.0	2000	40.94	14.62	108.7	103.6	62.8	59.8	68.5
SF-132LA	40.0	3000	37.8	13	153.8	132.9	88.8	76.7	101.2
	50.0	4000	35.2	12.4	184.9	159.7	106.8	92.2	133.3



本型號僅供參考，本公司保有修改之權利

