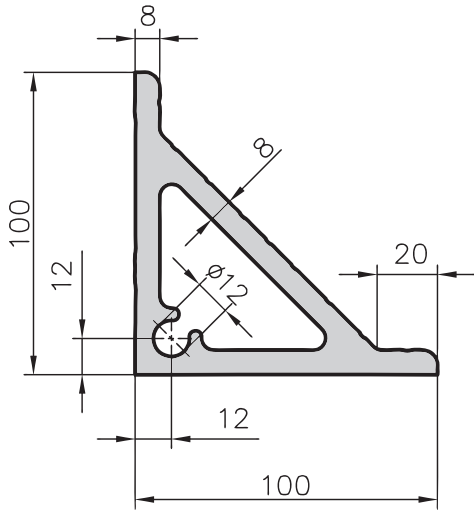
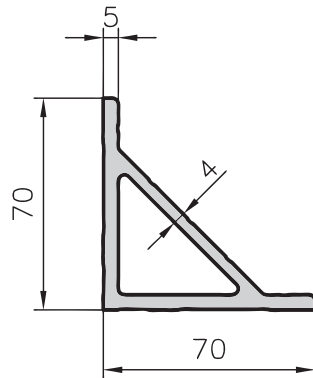


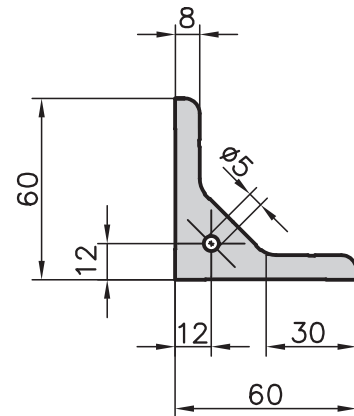
Angle extrusion type A30-3



Angle extrusion type C30-3

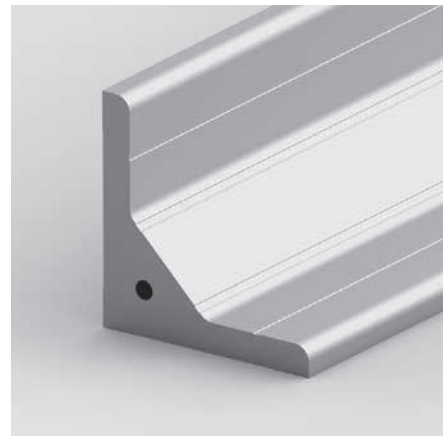
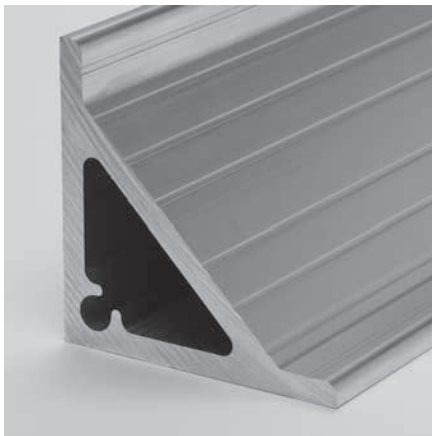


Angle extrusion type A30-2



Application

These very strong angle extrusions are the source material for the mounting brackets. They're also used to reinforce heavily loaded constructions.



Technical data

Cross-section area = 23.63 cm²
Weight = 6.38 kg/m

Order data

Order number

100x100 angle extrusion raw
Standard length 3000 mm A30-3-00/3000
100x100 angle extrusion raw
Cut to length A30-3-02-02/...

Technical data

Cross-section area = 9.23 cm²
Weight = 2.49 kg/m

Order data

Order number

70x70 angle extrusion raw
Standard length 3000 mm C30-3-00/3000
70x70 angle extrusion raw
Cut to length C30-3-02-02/...

Technical data

Cross-section area = 10.15 cm²
Weight = 2.75 kg/m

Order data

Order number

60x60 angle extrusion raw
Standard length 3000 mm A30-2-00/3000
60x60 angle extrusion raw
Cut to length A30-2-02-02/...