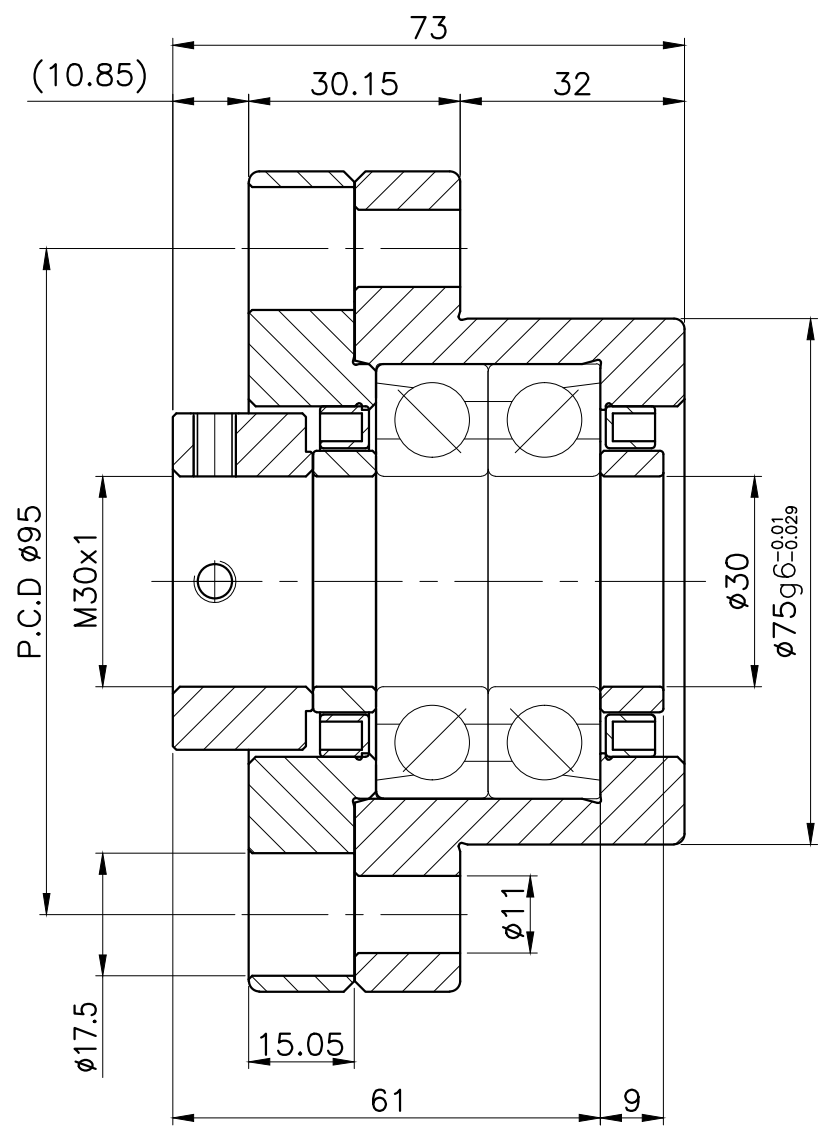
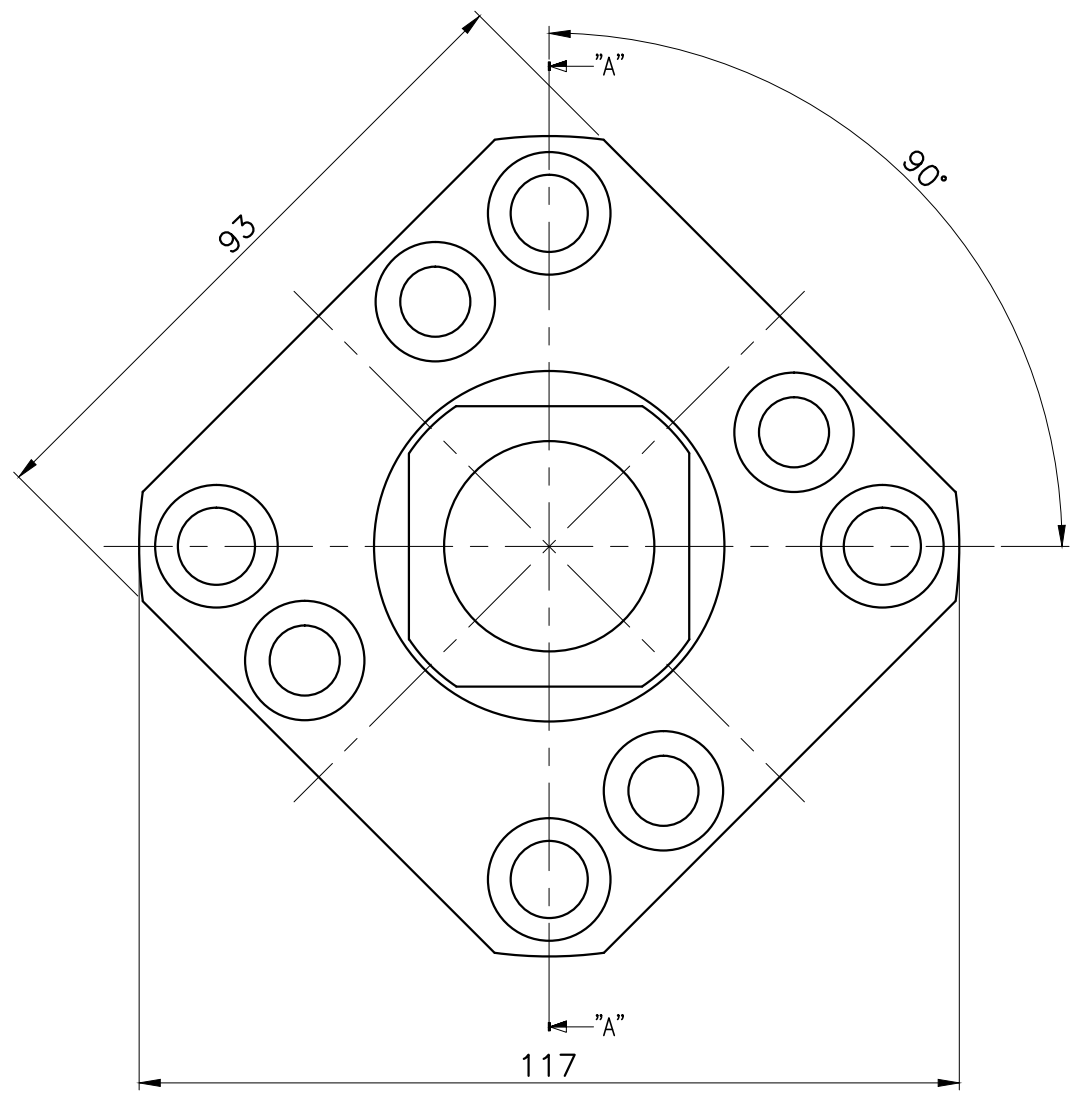


REV. DWG. NO. AP18SU049

NO	DATE	CONTENT	REV BY	CHD BY
1				
2				



SECTION "A" - "A"

**FOR APPROVAL** SBC LINEAR TECHNICAL-SUPPORT

SUPPORT UNIT SPEC.		MODEL NO.	FK30			
Basic Dynamic load rating		MESSORS.	-		APPLICATION.	-
Permissible load	- [kN]	SCALE	N/S	3RD ANGLE	DWG NO.	AP18SU049
Bearing Model No.	7206A	DRAWN BY	DESIGNED BY	CHECKED BY	APP'D BY	DATE 12/26/2018
		YU J.H.	-	KANG J.H.	PARK T.S.	SBC Linear Rail System SBC SBC Linear Co., Ltd.