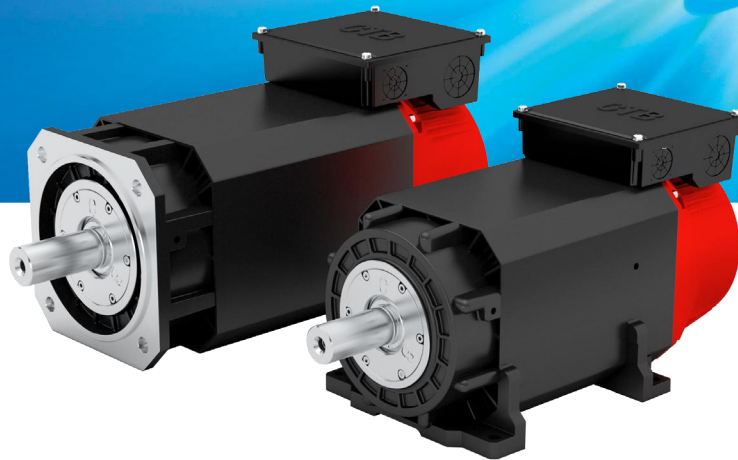




# P18 PERMANENT MAGNET SYNCHRONOUS SERVO MOTOR

(1.1 ~ 400kW)



北京超同步伺服股份有限公司  
BEIJING CTB SERVO CO.,LTD

2018.06.08

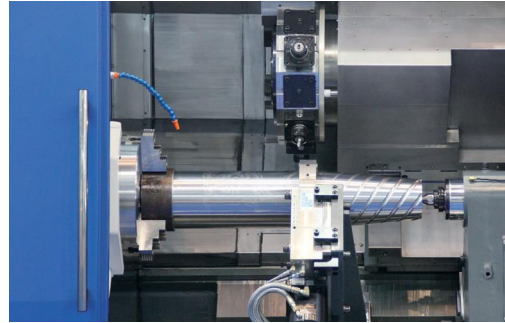
CTB P18 series permanent magnet synchronous servo motor is a new type of AC servo motor with independent research, design, production and enters international market, which has reached international leading level.

CTB P18 series permanent magnet synchronous servo motor has a compact structure, superior performance, good shape and high efficiency, widely used in various fields of machinery manufacturing with very good cost performance.

The design and production of P18 permanent magnet synchronous servo motor meets the standard of ISO、IEC、GB

## Latest patent design

- ◆ Good Shape
- ◆ Compact Structure
- ◆ Low Noise
- ◆ High Efficiency
- ◆ Enclosed Cooling Air Duct
- ◆ Optimize The Design Of The Energy-saving



## Application Industry

- ◆ CNC Machine Tools Machine Tool
- ◆ Forging And Pressing Equipment
- ◆ Shearing Equipment
- ◆ Oil Extraction Equipment
- ◆ Textile Equipment
- ◆ Wiredrawing Machine
- ◆ Hydraulic Equipment
- ◆ Plastic Equipment
- ◆ Hoisting Equipment
- ◆ Amusement Equipment
- ◆ Papermaking Equipmen
- ◆ Wood-working Machine

## Motor features

- ◆ Low Speed High Torque
- ◆ Fast Dynamic Response
- ◆ High Power Factor
- ◆ High Power Density
- ◆ Wide High Efficiency Area
- ◆ Strong Anti-demagnetization Ability

## Configuratn

- ◆ Power Range : 1.1 ~ 400kW
- ◆ Pole : 6/8/12 pole
- ◆ Maximum : 6000 r/min
- ◆ Encoder : Built-in (Incremental、 Resolver、 Sin-cos、 Absolute Optional)
- ◆ Cooling method : Force-air Cooling
- ◆ Working System: Continuous (S1)
- ◆ Noise : ≤70dB(A)
- ◆ Protection Class : IP55 ( IEC60034-5)
- ◆ Insulation And Voltage Resistance : AC1800V
- ◆ Insulation Class : F Class
- ◆ Vibration Class : S
- ◆ Environment Temperature : -15 ~ 45°C
- ◆ Environment Temperature : 95%rh below 95%RH (Non-Condensate)



**CTB IPM SERVOMOTOR**

TYPE: P18-47P5BC15-305G    CODE: 12364

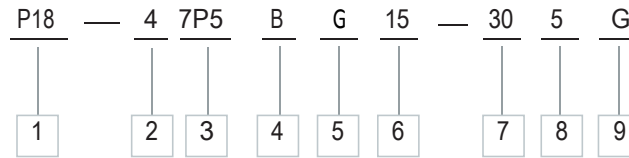
kW	V	A	Hz	r/min	N.m
7.5	380	13.5	75	1500	47.8

Πmax: 3000 r/min    Ins F    IP55    S1    Y

Encoder: CE9-2500-0L 45Kg NO.CM13100024

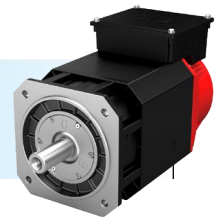
BEIJING CTB SERVO CO.,LTD.

◆ **Model description** (take 7.5KW PMSM for an example)



### model description

NO	Name	Description	Model Meaning																
1	Product Series	P18 : P18 series permanent magnet synchronous servo motor	Made By CTB																
2	Voltage Class	2 : 200V class    4 : 400V class	400V Class																
3	Power Code	see standard configuration form	7.5kW																
4	Motor Frame Code	<table border="0" style="width: 100%;"> <tr> <td style="width: 50%;">Motor frame flange size mm</td> <td style="width: 50%;">Motor frame flange size mm</td> </tr> <tr> <td>A : 175×175</td> <td>E : 320×320</td> </tr> <tr> <td>B : 205×205</td> <td>F : 380×380</td> </tr> <tr> <td>C : 265×265</td> <td>G : 480×480</td> </tr> <tr> <td>D : 300×300</td> <td>H : 580×580</td> </tr> </table>	Motor frame flange size mm	Motor frame flange size mm	A : 175×175	E : 320×320	B : 205×205	F : 380×380	C : 265×265	G : 480×480	D : 300×300	H : 580×580	B Motor Frame						
Motor frame flange size mm	Motor frame flange size mm																		
A : 175×175	E : 320×320																		
B : 205×205	F : 380×380																		
C : 265×265	G : 480×480																		
D : 300×300	H : 580×580																		
5	Encoder Type	Code    Encoder Type B :    Without Encoder G :    Incremental Encoder 1024P、2500P、6000P、8192P R :    Resolver                    1024P S :    Sin-cos Encoder            2048P A :    Absolute Encoder        13bit、17bit、23bit	Incremental Encoder																
6	Rated Speed Code	<table border="0" style="width: 100%;"> <tr> <td style="width: 50%;">Code    speed r/min</td> <td style="width: 50%;">Code    speed r/min</td> </tr> <tr> <td>05 : 500</td> <td>45 : 4500</td> </tr> <tr> <td>07 : 750</td> <td>60 : 6000</td> </tr> <tr> <td>10 : 1000</td> <td>80 : 8000</td> </tr> <tr> <td>15 : 1500</td> <td>90 : 9000</td> </tr> <tr> <td>20 : 2000</td> <td>A0 : 10000</td> </tr> <tr> <td>30 : 3000</td> <td>A2 : 12000</td> </tr> <tr> <td>40 : 4000</td> <td>A5 : 15000</td> </tr> </table>	Code    speed r/min	Code    speed r/min	05 : 500	45 : 4500	07 : 750	60 : 6000	10 : 1000	80 : 8000	15 : 1500	90 : 9000	20 : 2000	A0 : 10000	30 : 3000	A2 : 12000	40 : 4000	A5 : 15000	Rated Speed : 1500r/min
Code    speed r/min	Code    speed r/min																		
05 : 500	45 : 4500																		
07 : 750	60 : 6000																		
10 : 1000	80 : 8000																		
15 : 1500	90 : 9000																		
20 : 2000	A0 : 10000																		
30 : 3000	A2 : 12000																		
40 : 4000	A5 : 15000																		
7	Maximum Speed Code		Maximum Speed : 3000 r/min																
8	Mounting Method Code	3 : Horizontally-mounting    5 : Flanged-mounting 35 : Horizontally-Flanged	Flange Mounting																
9	Motor Shaft Type	G : Without keyslot    J : With keyslot	Without Keyslot																

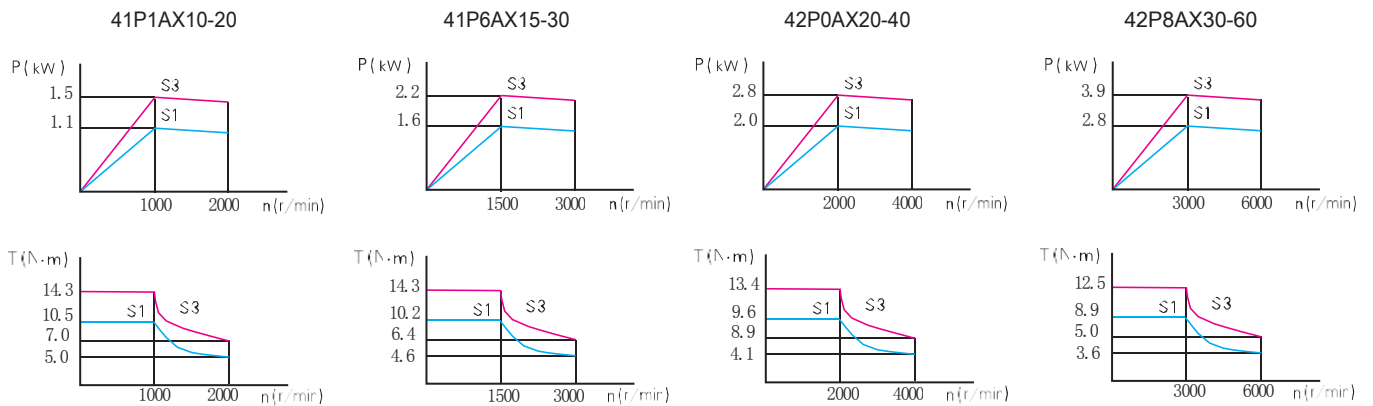


### ◆ Electrical Parameter

Voltage : 400V Pole : 6 Fan Power : 30W Fan Voltage : 380V

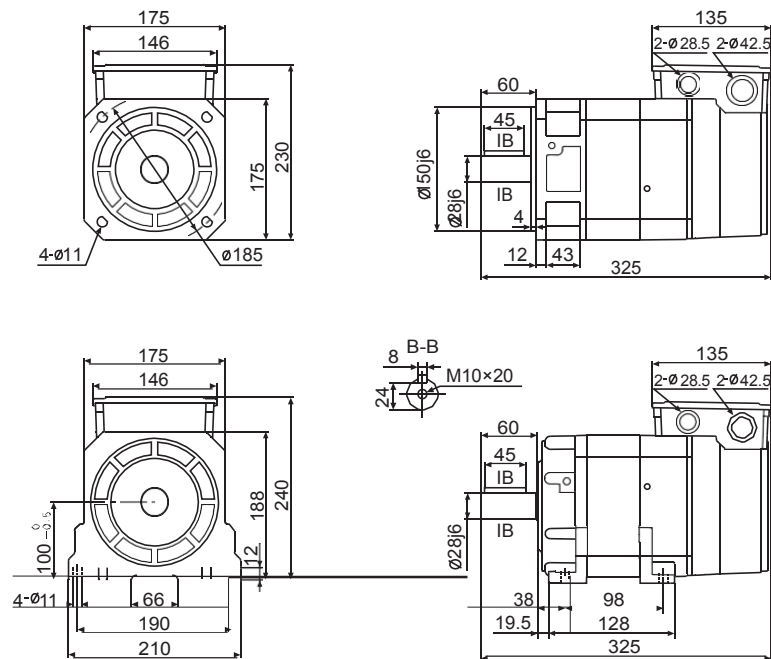
Motor model	Rated power (kW)	Rated torque (N·m)	Rated current (A)	Rated frequency (Hz)	Rated speed (r/min)	Maximum speed (r/min)	Anti-electromotive (V/krpm)	Rotational inertia (kg.m <sup>2</sup> )
P18-41P1AX10-20XX	1.1	10.5	2.0	50	1000	2000	252	0.0027
P18-41P6AX15-30XX	1.6	10.2	2.9	75	1500	3000	169	0.0027
P18-42P0AX20-40XX	2.0	9.6	3.6	100	2000	4000	126	0.0027
P18-42P8AX30-60XX	2.8	8.9	5.2	150	3000	6000	85	0.0027

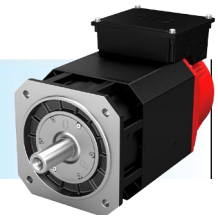
### ◆ Characteristic Curve



### ◆ Performance Index

ITEM	INDEX
ENCODER (OPTIONAL)	MG-128(MAGNETIC)
	CE9-23B(ABSOLUTE)
	RZ12-1024(RESOLVER)
	SC-2048(SIN-COS)
SHAFT TYPE	G:WITHOUT KEYSLOT
	J:WITH KEYSLOT
MOUNTING TYPE	B3 B5 B35
WEIGHT/GROSS WEIGHT	18 / 25kg
PROTECTION CLASS	IP55
INSULATION CLASS	F CLASS
RATED TEMPERATURE RISE	90K
VIBRATION CLASS	S
NOISE	≤70dB(A)
ENVIRONMENT TEMPERATURE	-15 ~ 45°C
ENVIRONMENT HUMIDITY	≤95%RH



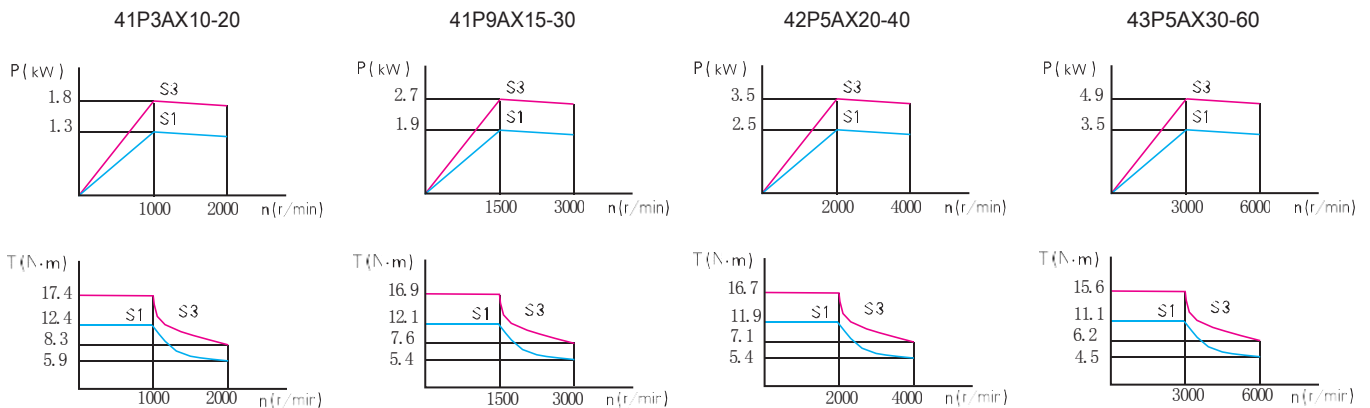


### ◆ Electrical Parameter

Voltage : 400V Pole : 6 Fan Power : 30W Fan Voltage : 380V

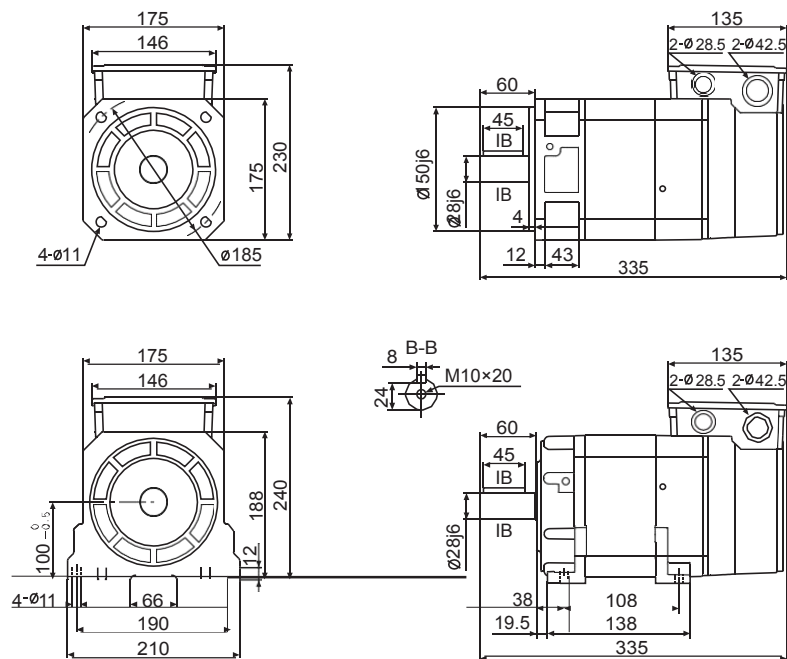
Motor model	Rated power (kW)	Rated torque (N·m)	Rated current (A)	Rated frequency (Hz)	Rated speed (r/min)	Maximum speed (r/min)	Anti-electromotive (V/krpm)	Rotational inertia (kg.m <sup>2</sup> )
P18-41P3AX10-20XX	1.3	12.4	2.4	50	1000	2000	255	0.0032
P18-41P9AX15-30XX	1.9	12.1	3.5	75	1500	3000	170	0.0032
P18-42P5AX20-40XX	2.5	11.9	4.5	100	2000	4000	128	0.0032
P18-43P5AX30-60XX	3.5	11.1	6.4	150	3000	6000	85	0.0032

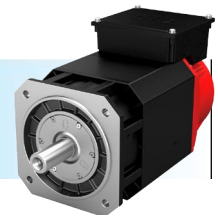
### ◆ Characteristic Curve



### ◆ Performance Index

ITEM	INDEX
ENCODER (OPTIONAL)	MG-128(MAGNETIC)
	CE9-23B(ABSOLUTE)
	RZ12-1024(RESOLVER)
	SC-2048(SIN-COS)
SHAFT TYPE	G:WITHOUT KEYSLOT
	J:WITH KEYSLOT
MOUNTING TYPE	B3 B5 B35
WEIGHT/GROSS WEIGHT	20 / 27kg
PROTECTION CLASS	IP55
INSULATION CLASS	F CLASS
RATED TEMPERATURE RISE	90K
VIBRATION CLASS	S
NOISE	≤70dB(A)
ENVIRONMENT TEMPERATURE	-15 ~ 45°C
ENVIRONMENT HUMIDITY	≤95%RH



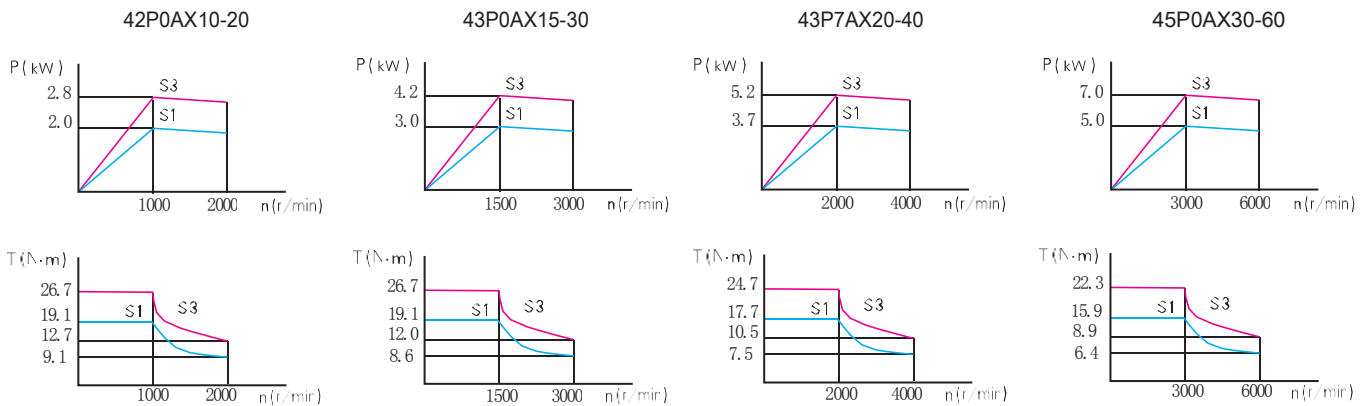


### ◆ Electrical Parameter

Voltage : 400V Pole : 6 Fan Power : 30W Fan Voltage : 380V

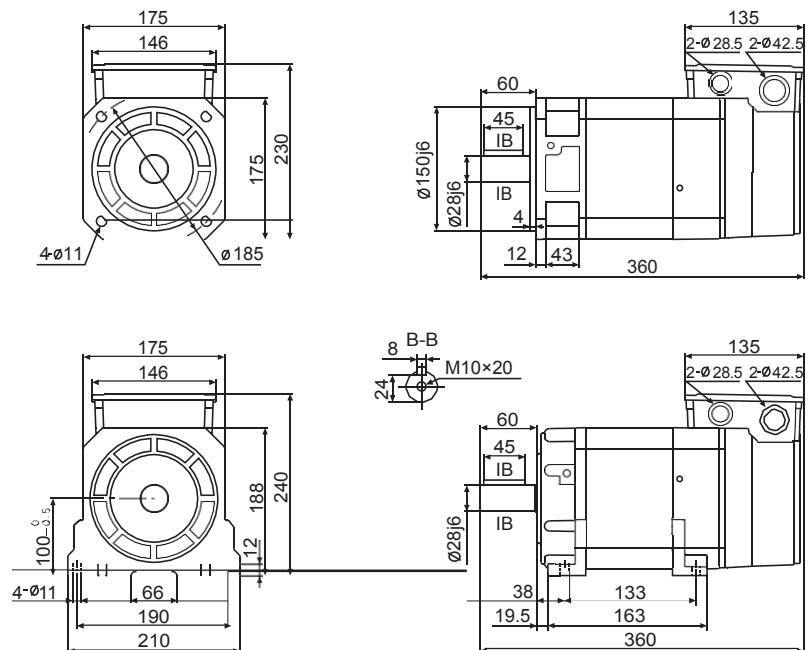
Motor model	Rated power (kW)	Rated torque (N·m)	Rated current (A)	Rated frequency (Hz)	Rated speed (r/min)	Maximum speed (r/min)	Anti-electromotive (V/krpm)	Rotational inertia (kg.m <sup>2</sup> )
P18-42P0AX10-20XX	2.0	19.1	3.6	50	1000	2000	255	0.0045
P18-43P0AX15-30XX	3.0	19.1	5.4	75	1500	3000	170	0.0045
P18-43P7AX20-40XX	3.7	17.7	6.7	100	2000	4000	128	0.0045
P18-45P0AX30-60XX	5.0	15.9	9.2	150	3000	6000	85	0.0045

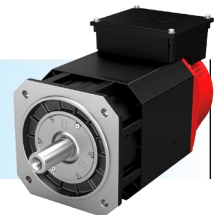
### ◆ Characteristic Curve



### ◆ Performance Index

ITEM	INDEX
ENCODER (OPTIONAL)	MG-128(MAGNETIC)
	CE9-23B(ABSOLUTE)
	RZ12-1024(RESOLVER)
	SC-2048(SIN-COS)
SHAFT TYPE	G:WITHOUT KEYSLOT
	J:WITH KEYSLOT
MOUNTING TYPE	B3 B5 B35
WEIGHT/GROSS WEIGHT	24 / 31kg
PROTECTION CLASS	IP55
INSULATION CLASS	F CLASS
RATED TEMPERATURE RISE	90K
VIBRATION CLASS	S
NOISE	≤70dB(A)
ENVIRONMENT TEMPERATURE	-15 ~ 45°C
ENVIRONMENT HUMIDITY	≤95%RH



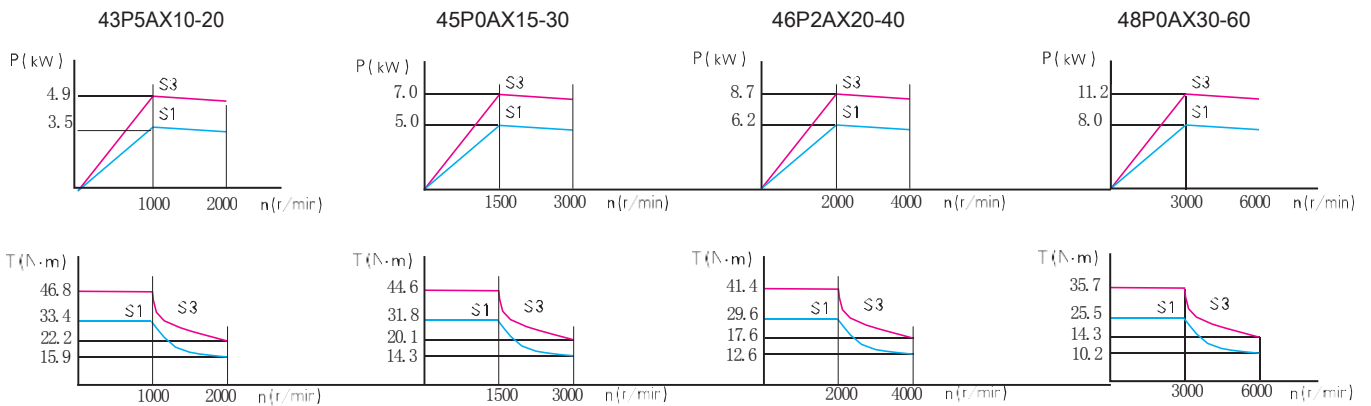


### ◆ Electrical Parameter

Voltage : 400V Pole : 6 Fan Power : 30W Fan Voltage : 380V

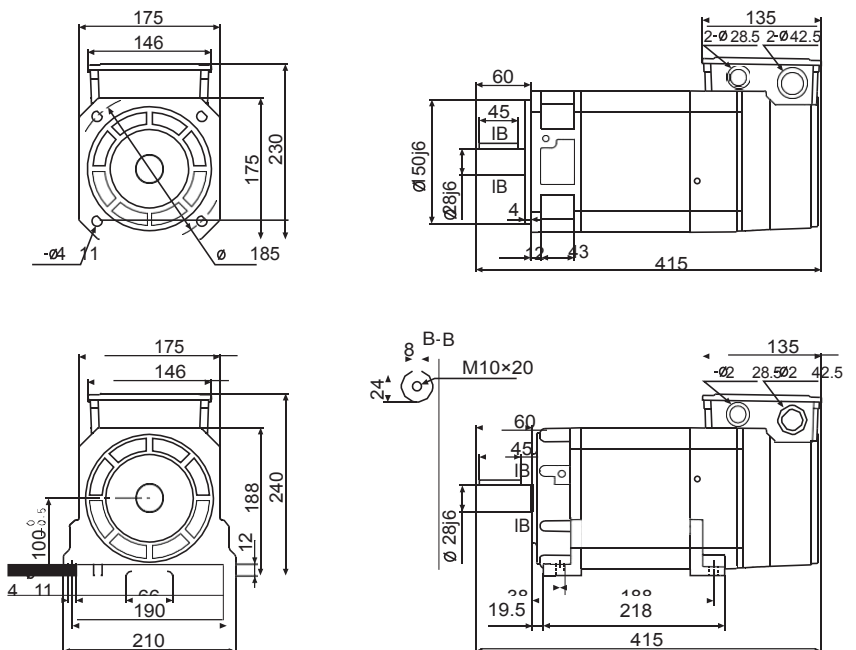
Motor model	Rated power (kW)	Rated torque (N·m)	Rated current (A)	Rated frequency (Hz)	Rated speed (r/min)	Maximum speed (r/min)	Anti-electromotive (V/krpm)	Rotational inertia (kg.m <sup>2</sup> )
P18-43P5AX10-20XX	3.5	33.4	6.2	50	1000	2000	254	0.0074
P18-45P0AX15-30XX	5.0	31.8	9.0	75	1500	3000	169	0.0074
P18-46P2AX20-40XX	6.2	29.6	11.5	100	2000	4000	126	0.0074
P18-48P0AX30-60XX	8.0	25.5	14.9	150	3000	6000	85	0.0074

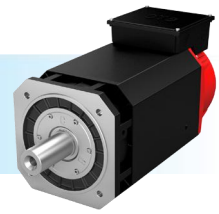
### ◆ Characteristic Curve



### ◆ Performance Index

ITEM	INDEX
ENCODER (OPTIONAL)	MG-128(MAGNETIC)
	CE9-23B(ABSOLUTE)
	RZ12-1024(RESOLVER)
	SC-2048(SIN-COS)
SHAFT TYPE	G:WITHOUT KEYSLOT
	J:WITH KEYSLOT
MOUNTING TYPE	B3 B5 B35
WEIGHT/GROSS WEIGHT	34 / 41kg
PROTECTION CLASS	IP55
INSULATION CLASS	F CLASS
RATED TEMPERATURE RISE	90K
VIBRATION CLASS	S
NOISE	≤70dB(A)
ENVIRONMENT TEMPERATURE	-15 ~ 45°C
ENVIRONMENT HUMIDITY	≤95%RH



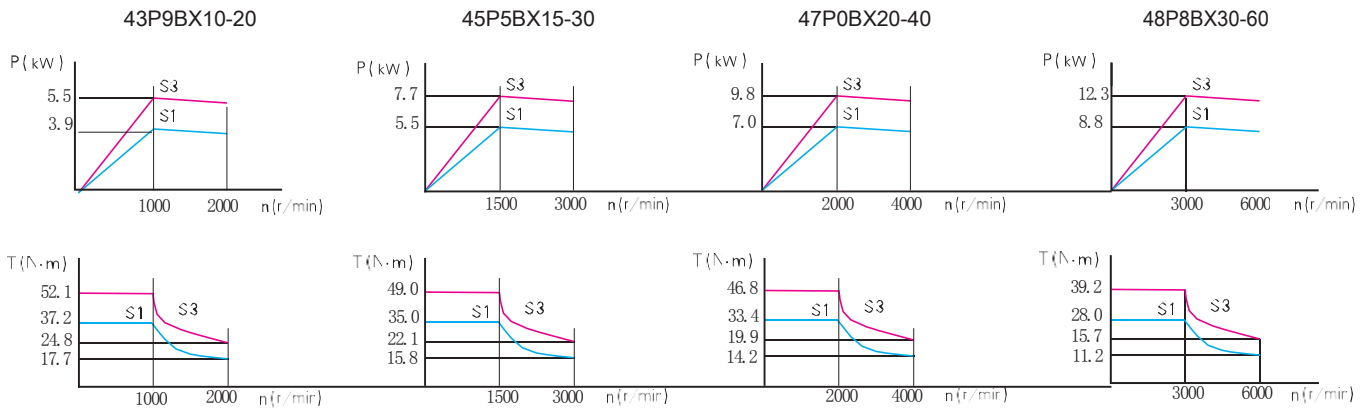


### ◆ Electrical Parameter

Voltage : 400V Pole : 6 Fan Power : 75W Fan Voltage : 380V

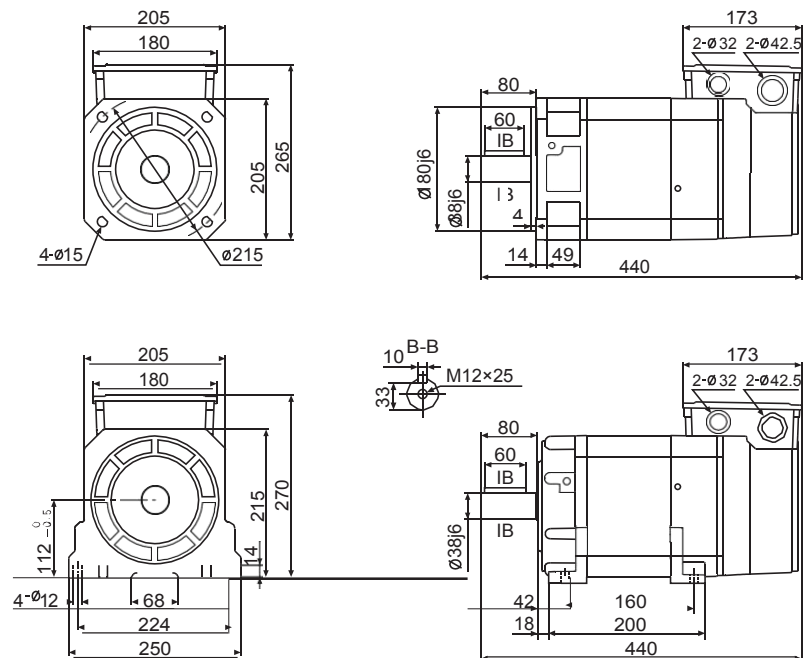
Motor model	Rated power (kW)	Rated torque (N·m)	Rated current (A)	Rated frequency (Hz)	Rated speed (r/min)	Maximum speed (r/min)	Anti-electromotive (V/krpm)	Rotational inertia (kg.m <sup>2</sup> )
P18-43P9BX10-20XX	3.9	37.2	7.0	50	1000	2000	256	0.0096
P18-45P5BX15-30XX	5.5	35.0	9.9	75	1500	3000	171	0.0096
P18-47P0BX20-40XX	7.0	33.4	12.6	100	2000	4000	129	0.0096
P18-48P8BX30-60XX	8.8	28	16.5	150	3000	6000	85	0.0096

### ◆ Characteristic Curve

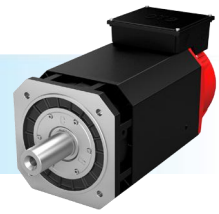


### ◆ Performance Index

ITEM	INDEX
ENCODER (OPTIONAL)	MG-128(MAGNETIC)
	CE9-23B(ABSOLUTE)
	RZ12-1024(RESOLVER)
	SC-2048(SIN-COS)
SHAFT TYPE	G:WITHOUT KEYSLOT
	J:WITH KEYSLOT
MOUNTING TYPE	B3 B5 B35
WEIGHT/GROSS WEIGHT	37 / 44kg
PROTECTION CLASS	IP55
INSULATION CLASS	F CLASS
RATED TEMPERATURE RISE	90K
VIBRATION CLASS	S
NOISE	≤70dB(A)
ENVIRONMENT TEMPERATURE	-15 ~ 45°C
ENVIRONMENT HUMIDITY	≤95%RH





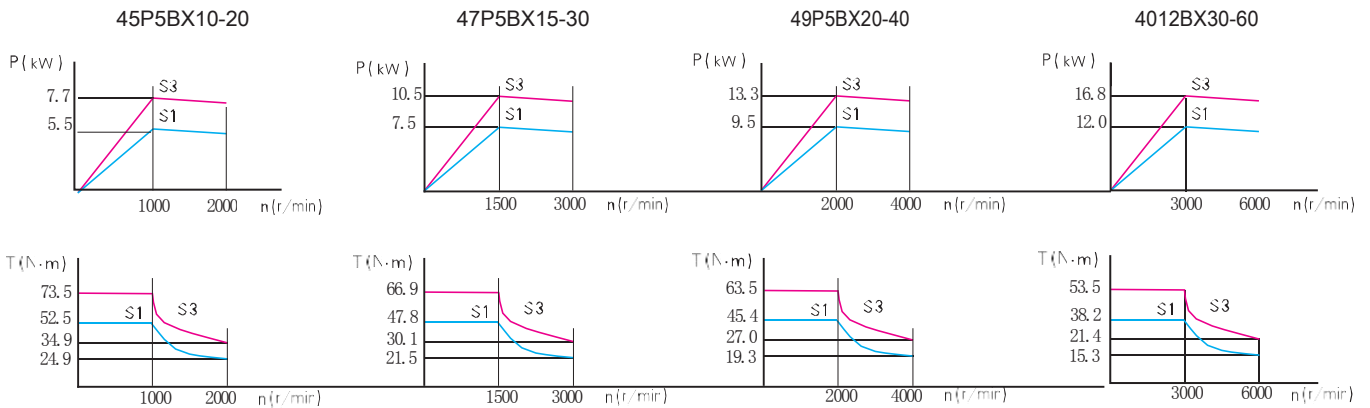


### Electrical Parameter

Voltage : 400V Pole : 6 Fan Power : 75W Fan Voltage : 380V

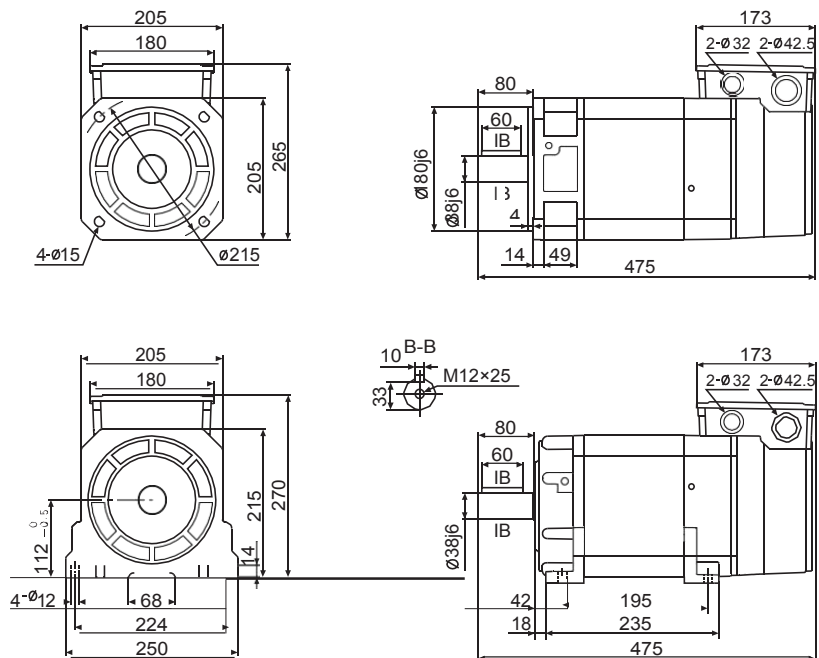
Motor model	Rated power (kW)	Rated torque (N·m)	Rated current (A)	Rated frequency (Hz)	Rated speed (r/min)	Maximum speed (r/min)	Anti-electromotive (V/krpm)	Rotational inertia (kg.m <sup>2</sup> )
P18-45P5BX10-20XX	5.5	52.5	9.8	50	1000	2000	257	0.0128
P18-47P5BX15-30XX	7.5	47.8	13.5	75	1500	3000	171	0.0128
P18-49P5BX20-40XX	9.5	45.4	17.5	100	2000	4000	127	0.0128
P18-4012BX30-60XX	12.0	38.2	22.5	150	3000	6000	85	0.0128

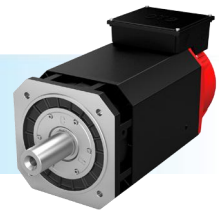
### Characteristic Curve



### Performance Index

ITEM	INDEX
ENCODER (OPTIONAL)	MG-128(MAGNETIC)
	CE9-23B(ABSOLUTE)
	RZ12-1024(RESOLVER)
	SC-2048(SIN-COS)
SHAFT TYPE	G:WITHOUT KEYSLOT
	J:WITH KEYSLOT
MOUNTING TYPE	B3 B5 B35
WEIGHT/GROSS WEIGHT	45 / 52kg
PROTECTION CLASS	IP55
INSULATION CLASS	F CLASS
RATED TEMPERATURE RISE	90K
VIBRATION CLASS	S
NOISE	≤70dB(A)
ENVIRONMENT TEMPERATURE	-15 ~ 45°C
ENVIRONMENT HUMIDITY	≤95%RH



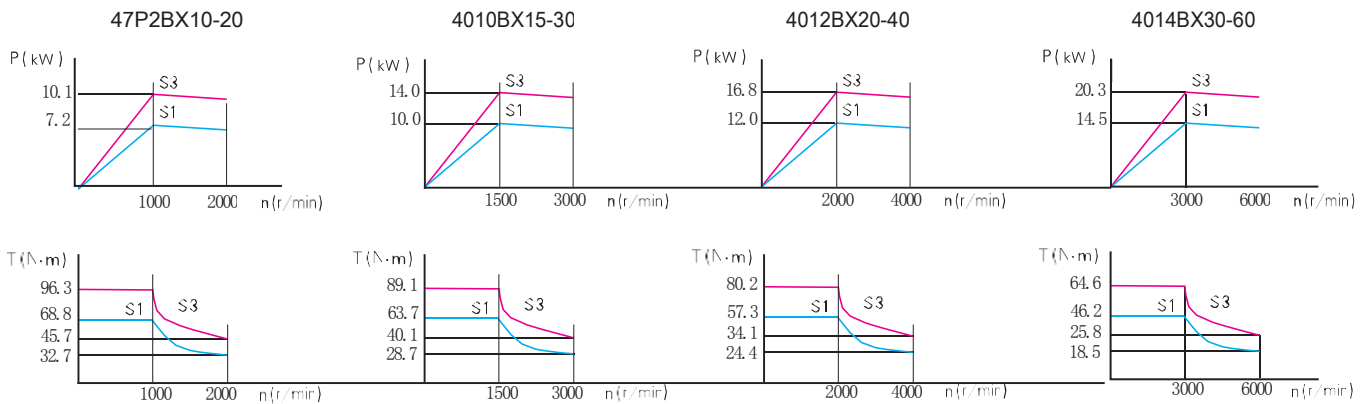


### Electrical Parameter

Voltage : 400V Pole : 6 Fan Power : 75W Fan Voltage : 380V

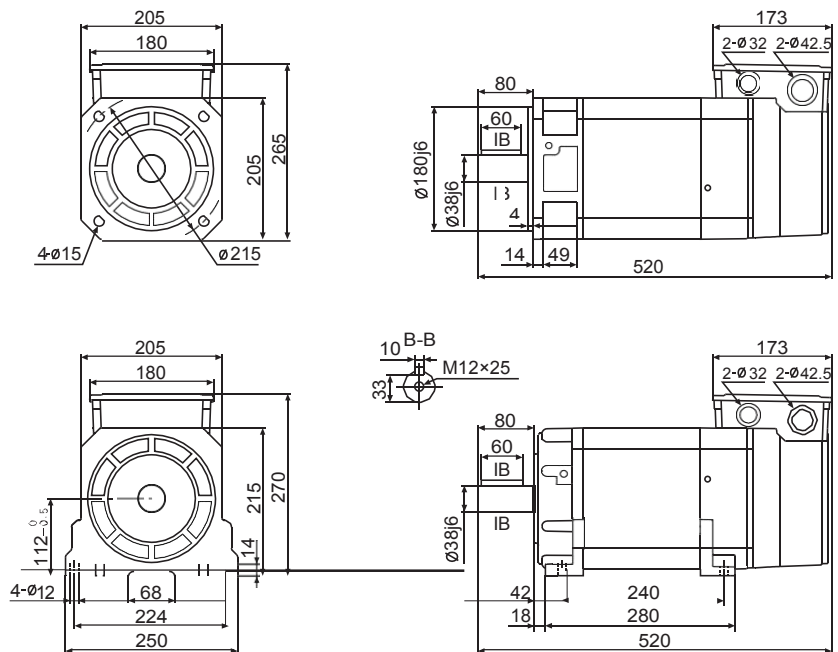
Motor model	Rated power (kW)	Rated torque (N·m)	Rated current (A)	Rated frequency (Hz)	Rated speed (r/min)	Maximum speed (r/min)	Anti-electromotive (V/krpm)	Rotational inertia (kg.m <sup>2</sup> )
P18-47P2BX10-20XX	7.2	68.8	13.1	50	1000	2000	251	0.0169
P18-4010BX15-30XX	10.0	63.7	18.0	75	1500	3000	171	0.0169
P18-4012BX20-40XX	12.0	57.3	21.8	100	2000	4000	129	0.0169
P18-4014BX30-60XX	14.5	46.2	28.5	150	3000	6000	84	0.0169

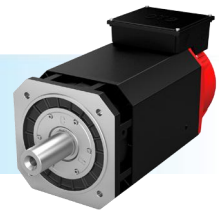
### Characteristic Curve



### Performance Index

ITEM	INDEX
ENCODER (OPTIONAL)	MG-128(MAGNETIC)
	CE9-23B(ABSOLUTE)
	RZ12-1024(RESOLVER)
	SC-2048(SIN-COS)
SHAFT TYPE	G:WITHOUT KEYSLOT
	J:WITH KEYSLOT
MOUNTING TYPE	B3 B5 B35
WEIGHT/GROSS WEIGHT	56 / 64kg
PROTECTION CLASS	IP55
INSULATION CLASS	F CLASS
RATED TEMPERATURE RISE	90K
VIBRATION CLASS	S
NOISE	≤70dB(A)
ENVIRONMENT TEMPERATURE	-15 ~ 45°C
ENVIRONMENT HUMIDITY	≤95%RH



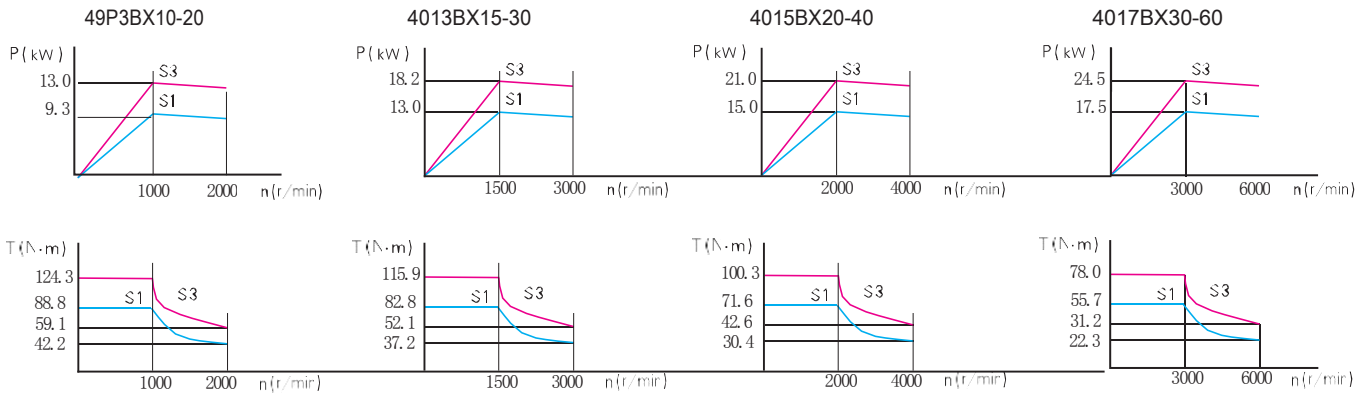


### ◆ Electrical Parameter

Voltage : 400V Pole : 6 Fan Power : 75W Fan Voltage : 380V

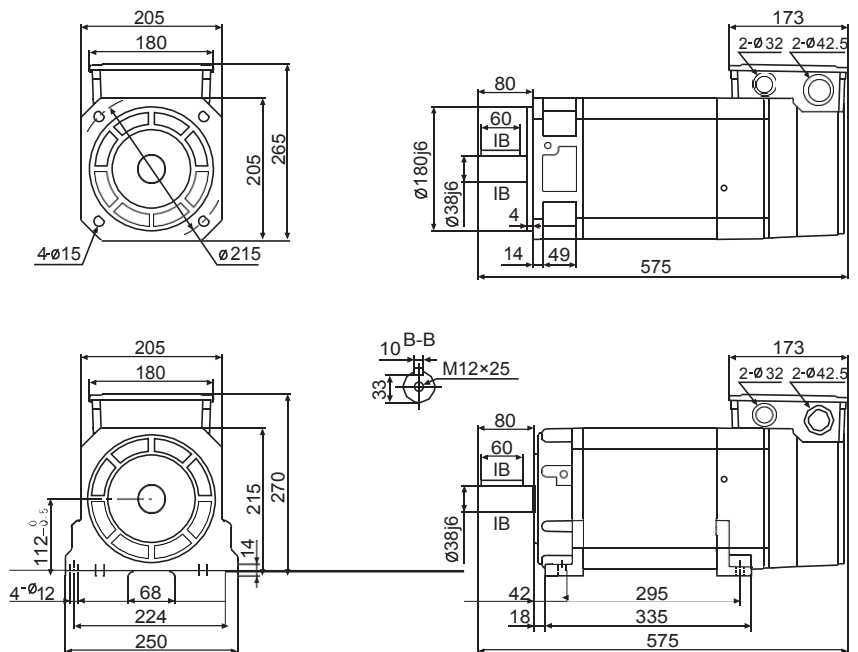
Motor model	Rated power (kW)	Rated torque (N·m)	Rated current (A)	Rated frequency (Hz)	Rated speed (r/min)	Maximum speed (r/min)	Anti-electromotive (V/krpm)	Rotational inertia (kg.m <sup>2</sup> )
P18-49P3BX10-20XX	9.3	88.8	16.5	50	1000	2000	257	0.0219
P18-4013BX15-30XX	13.0	82.8	23.6	75	1500	3000	170	0.0219
P18-4015BX20-40XX	15.0	71.6	27.6	100	2000	4000	129	0.0219
P18-4017BX30-60XX	17.5	55.7	35.0	150	3000	6000	83	0.0219

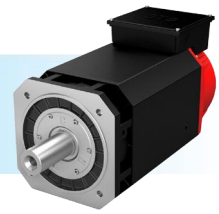
### ◆ Characteristic Curve



### ◆ Performance Index

ITEM	INDEX
ENCODER (OPTIONAL)	MG-128(MAGNETIC)
	CE9-23B(ABSOLUTE)
	RZ12-1024(RESOLVER)
	SC-2048(SIN-COS)
SHAFT TYPE	G:WITHOUT KEYSLOT
	J:WITH KEYSLOT
MOUNTING TYPE	B3 B5 B35
WEIGHT/GROSS WEIGHT	69 / 79kg
PROTECTION CLASS	IP55
INSULATION CLASS	F CLASS
RATED TEMPERATURE RISE	90K
VIBRATION CLASS	S
NOISE	≤70dB(A)
ENVIRONMENT TEMPERATURE	-15 ~ 45°C
ENVIRONMENT HUMIDITY	≤95%RH



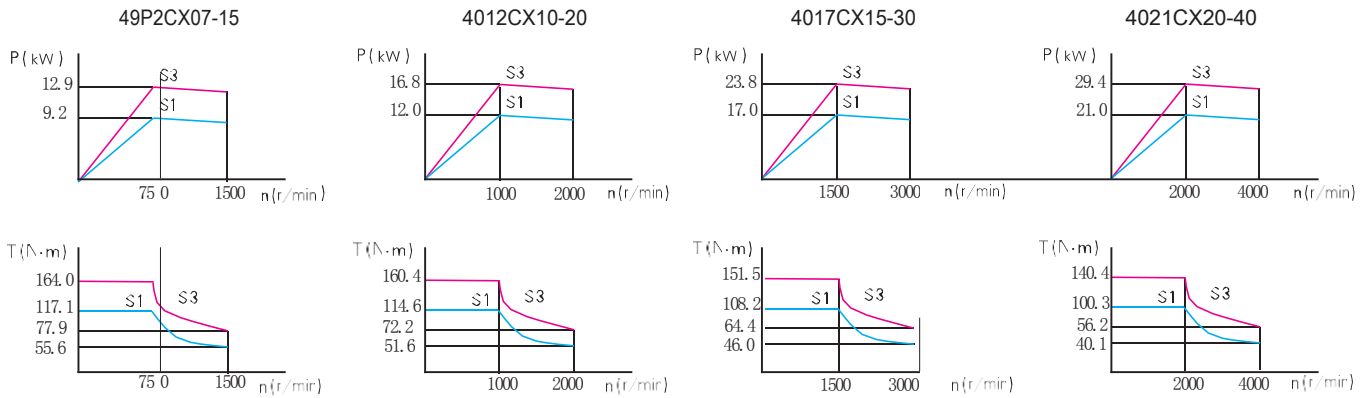


### Electrical Parameter

Voltage : 400V Pole : 6 Fan Power : 80W Fan Voltage : 380V

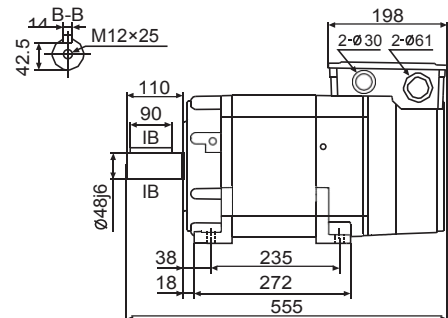
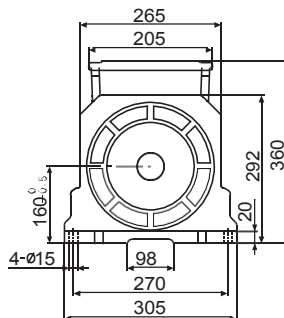
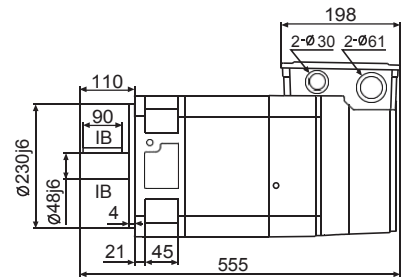
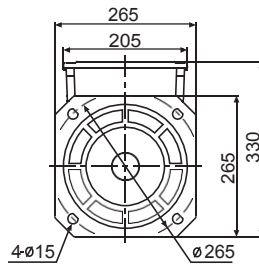
Motor model	Rated power (kW)	Rated torque (N·m)	Rated current (A)	Rated frequency (Hz)	Rated speed (r/min)	Maximum speed (r/min)	Anti-electromotive (V/krpm)	Rotational inertia (kg.m <sup>2</sup> )
P18-49P2CX07-15XX	9.2	117.1	16.5	37.5	750	1500	325	0.0511
P18-4012CX10-20XX	12.0	114.6	21.5	50	1000	2000	244	0.0511
P18-4017CX15-30XX	17.0	108.2	30.0	75	1500	3000	167	0.0511
P18-4021CX20-40XX	21.0	100.3	38.5	100	2000	4000	122	0.0511

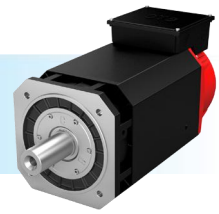
### Characteristic Curve



### Performance Index

ITEM	INDEX
ENCODER (OPTIONAL)	MG-128(MAGNETIC)
	CE9-23B(ABSOLUTE)
	RZ12-1024(RESOLVER)
	SC-2048(SIN-COS)
SHAFT TYPE	G:WITHOUT KEYSLOT
	J:WITH KEYSLOT
MOUNTING TYPE	B3 B5 B35
WEIGHT/GROSS WEIGHT	93 / 103kg
PROTECTION CLASS	IP55
INSULATION CLASS	F CLASS
RATED TEMPERATURE RISE	90K
VIBRATION CLASS	S
NOISE	≤70dB(A)
ENVIRONMENT TEMPERATURE	-15 ~ 45°C
ENVIRONMENT HUMIDITY	≤95%RH



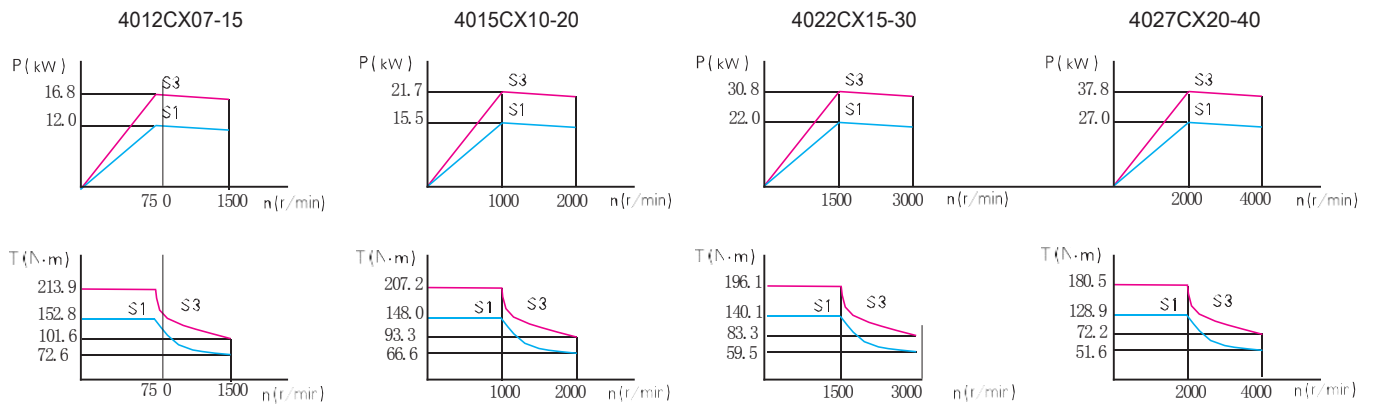


### Electrical Parameter

Voltage : 400V Pole : 6 Fan Power : 80W Fan Voltage : 380V

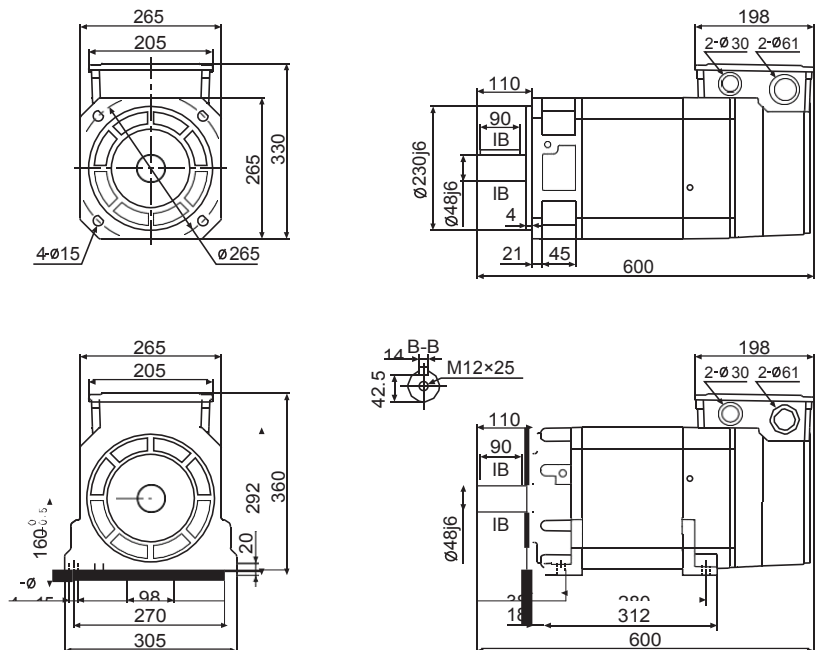
Motor model	Rated power (kW)	Rated torque (N·m)	Rated current (A)	Rated frequency (Hz)	Rated speed (r/min)	Maximum speed (r/min)	Anti-electromotive (V/krpm)	Rotational inertia (kg.m <sup>2</sup> )
P18-4012CX07-15XX	12.0	152.8	21.3	37.5	750	1500	328	0.0653
P18-4015CX10-20XX	15.5	148.0	28.0	50	1000	2000	243	0.0653
P18-4022CX15-30XX	22.0	140.1	39.5	75	1500	3000	164	0.0653
P18-4027CX20-40XX	27.0	128.9	49.5	100	2000	4000	122	0.0653

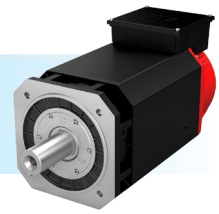
### Characteristic Curve



### Performance Index

ITEM	INDEX
ENCODER (OPTIONAL)	MG-128(MAGNETIC)
	CE9-23B(ABSOLUTE)
	RZ12-1024(RESOLVER)
	SC-2048(SIN-COS)
SHAFT TYPE	G:WITHOUT KEYSLOT
	J:WITH KEYSLOT
MOUNTING TYPE	B3 B5 B35
WEIGHT/GROSS WEIGHT	110 / 120kg
PROTECTION CLASS	IP55
INSULATION CLASS	F CLASS
RATED TEMPERATURE RISE	90K
VIBRATION CLASS	S
NOISE	≤70dB(A)
ENVIRONMENT TEMPERATURE	-15 ~ 45°C
ENVIRONMENT HUMIDITY	≤95%RH



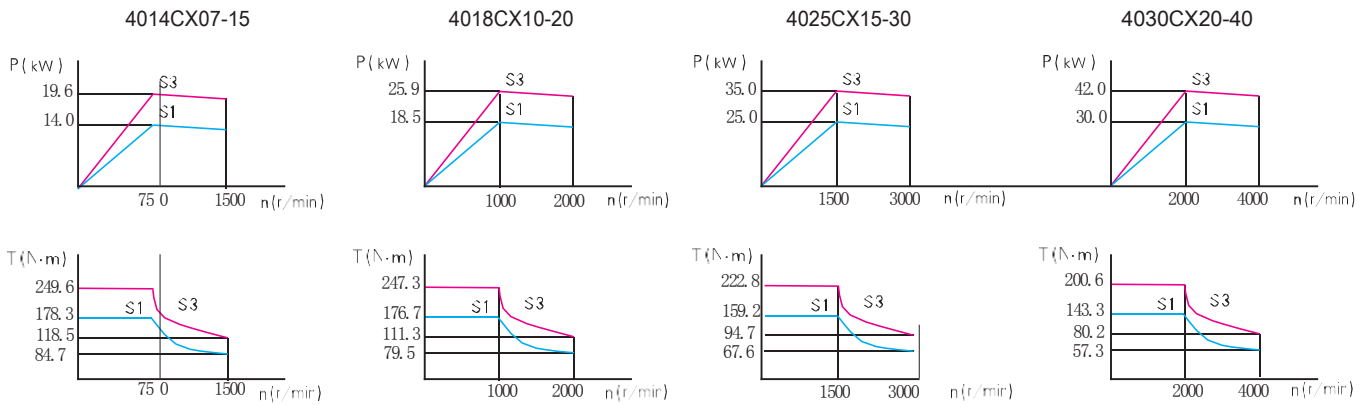


### Electrical Parameter

Voltage : 400V Pole : 6 Fan Power : 80W Fan Voltage : 380V

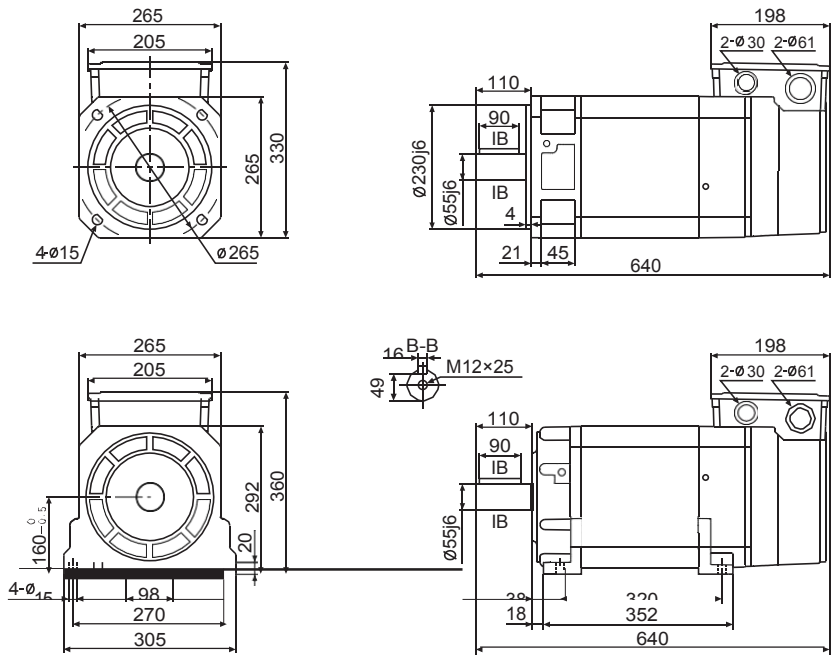
Motor model	Rated power (kW)	Rated torque (N·m)	Rated current (A)	Rated frequency (Hz)	Rated speed (r/min)	Maximum speed (r/min)	Anti-electromotive (V/krpm)	Rotational inertia (kg.m <sup>2</sup> )
P18-4014CX07-15XX	14.0	178.3	25.1	37.5	750	1500	325	0.0778
P18-4018CX10-20XX	18.5	176.7	33.5	50	1000	2000	242	0.0778
P18-4025CX15-30XX	25.0	159.2	45.0	75	1500	3000	166	0.0778
P18-4030CX20-40XX	30.0	143.3	56.0	100	2000	4000	121	0.0778

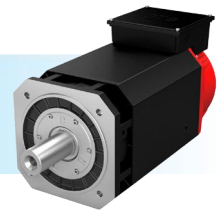
### Characteristic Curve



### Performance Index

ITEM	INDEX
ENCODER (OPTIONAL)	MG-128(MAGNETIC)
	CE9-23B(ABSOLUTE)
	RZ12-1024(RESOLVER)
	SC-2048(SIN-COS)
SHAFT TYPE	G:WITHOUT KEYSLOT
	J:WITH KEYSLOT
MOUNTING TYPE	B3 B5 B35
WEIGHT/GROSS WEIGHT	128 / 138kg
PROTECTION CLASS	IP55
INSULATION CLASS	F CLASS
RATED TEMPERATURE RISE	90K
VIBRATION CLASS	S
NOISE	≤70dB(A)
ENVIRONMENT TEMPERATURE	-15 ~ 45°C
ENVIRONMENT HUMIDITY	≤95%RH



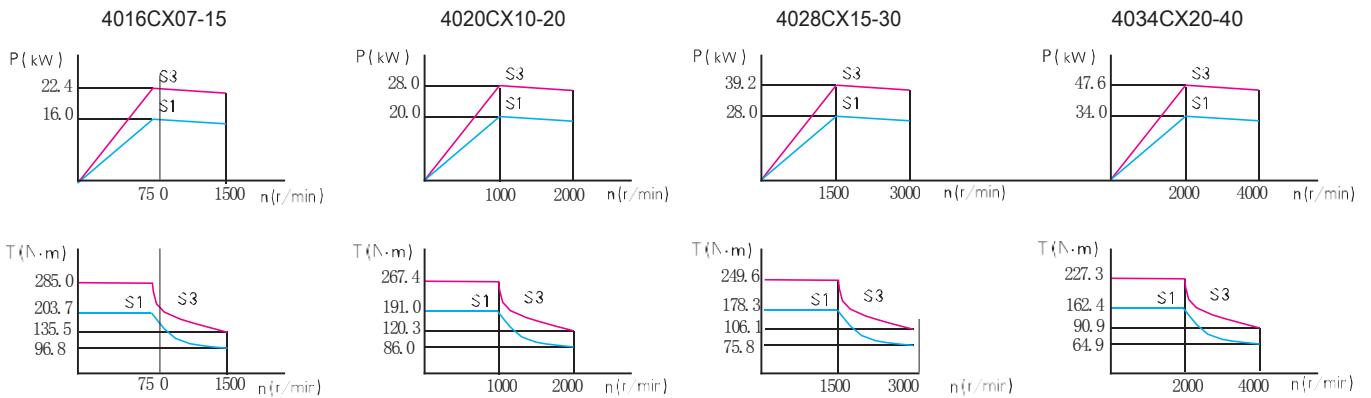


### Electrical Parameter

Voltage : 400V Pole : 6 Fan Power : 80W Fan Voltage : 380V

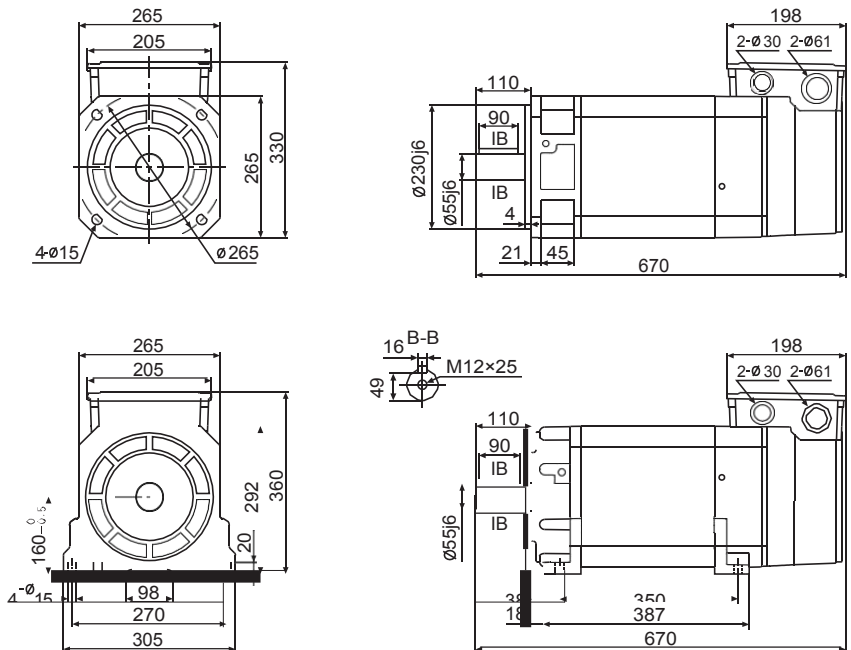
Motor model	Rated power (kW)	Rated torque (N·m)	Rated current (A)	Rated frequency (Hz)	Rated speed (r/min)	Maximum speed (r/min)	Anti-electromotive (V/krpm)	Rotational inertia (kg.m <sup>2</sup> )
P18-4016CX07-15XX	16.0	203.7	28.8	37.5	750	1500	324	0.0873
P18-4020CX10-20XX	20.0	191.0	36.0	50	1000	2000	244	0.0873
P18-4028CX15-30XX	28.0	178.3	50.3	75	1500	3000	165	0.0873
P18-4034CX20-40XX	34.0	162.4	62.8	100	2000	4000	122	0.0873

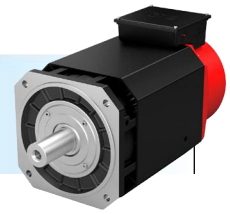
### Characteristic Curve



### Performance Index

ITEM	INDEX
ENCODER (OPTIONAL)	MG-128(MAGNETIC)
	CE9-23B(ABSOLUTE)
	RZ12-1024(RESOLVER)
	SC-2048(SIN-COS)
SHAFT TYPE	G:WITHOUT KEYSLOT
	J:WITH KEYSLOT
MOUNTING TYPE	B3 B5 B35
WEIGHT/GROSS WEIGHT	139 / 149kg
PROTECTION CLASS	IP55
INSULATION CLASS	F CLASS
RATED TEMPERATURE RISE	90K
VIBRATION CLASS	S
NOISE	≤70dB(A)
ENVIRONMENT TEMPERATURE	-15 ~ 45°C
ENVIRONMENT HUMIDITY	≤95%RH



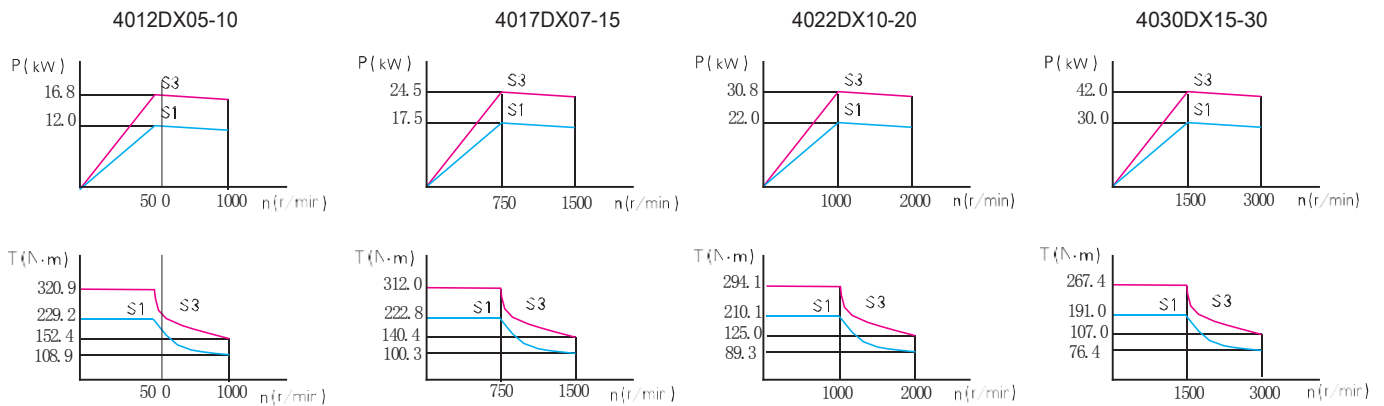


### Electrical Parameter

Voltage : 400V Pole : 8 Fan Power : 600W Fan Voltage : 380V

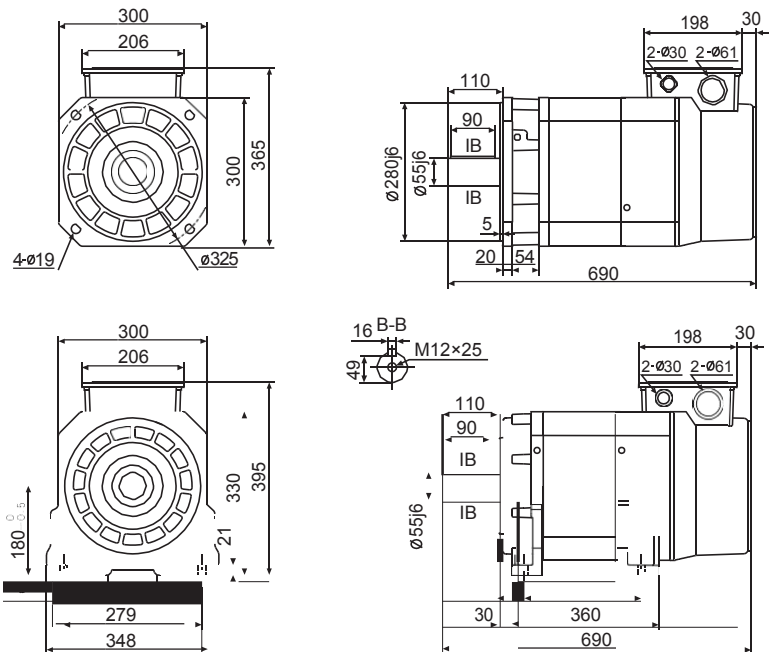
Motor model	Rated power (kW)	Rated torque (N·m)	Rated current (A)	Rated frequency (Hz)	Rated speed (r/min)	Maximum speed (r/min)	Anti-electromotive (V/krpm)	Rotational inertia (kg.m <sup>2</sup> )
P18-4012DX05-10XX	12.0	229.2	20.5	33.3	500	1000	508	0.1383
P18-4017DX07-15XX	17.5	222.8	32.5	50	750	1500	339	0.1383
P18-4022DX10-20XX	22.0	210.1	41.0	66.7	1000	2000	254	0.1383
P18-4030DX15-30XX	30.0	191.0	56.5	100	1500	3000	169	0.1383

### Characteristic Curve

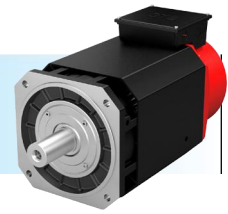


### Performance Index

ITEM	INDEX
ENCODER (OPTIONAL)	MG-128(MAGNETIC)
	CE9-23B(ABSOLUTE)
	RZ12-1024(RESOLVER)
	SC-2048(SIN-COS)
SHAFT TYPE	G:WITHOUT KEYSLOT
	J:WITH KEYSLOT
MOUNTING TYPE	B3 B5 B35
WEIGHT/GROSS WEIGHT	179 / 191kg
PROTECTION CLASS	IP55
INSULATION CLASS	F CLASS
RATED TEMPERATURE RISE	90K
VIBRATION CLASS	S
NOISE	≤70dB(A)
ENVIRONMENT TEMPERATURE	-15 ~ 45°C
ENVIRONMENT HUMIDITY	≤95%RH





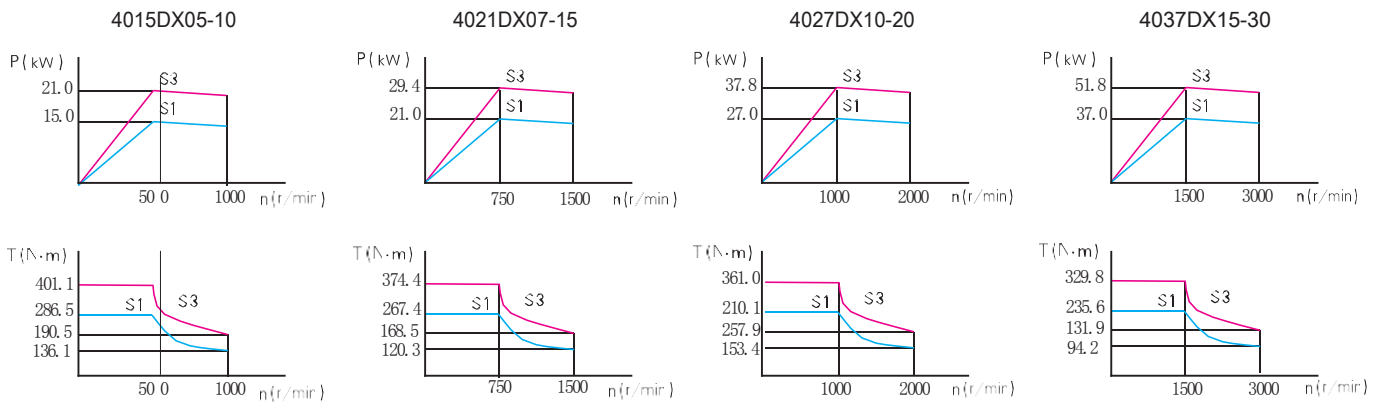


### ◆ Electrical Parameter

Voltage : 400V Pole : 8 Fan Power : 600W Fan Voltage : 380V

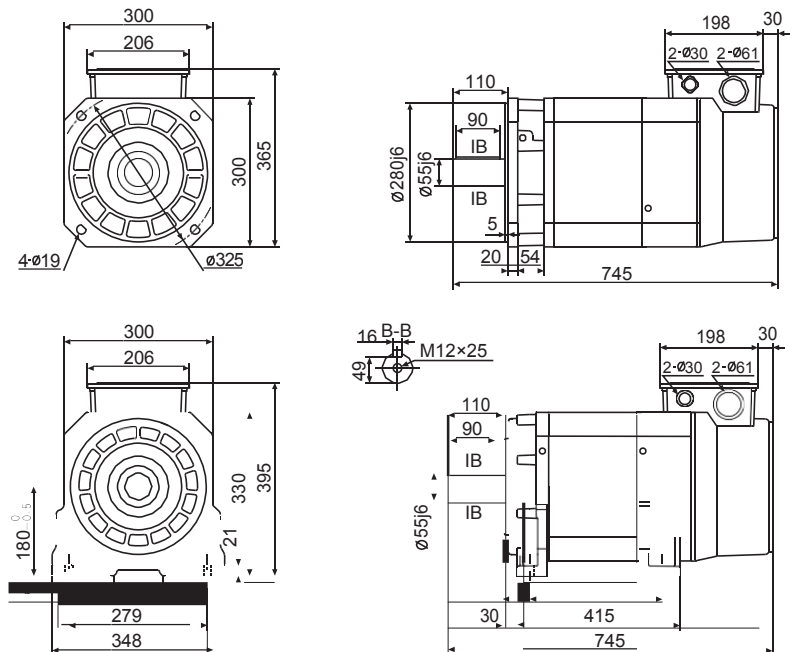
Motor model	Rated power (kW)	Rated torque (N·m)	Rated current (A)	Rated frequency (Hz)	Rated speed (r/min)	Maximum speed (r/min)	Anti-electromotive (V/krpm)	Rotational inertia (kg.m <sup>2</sup> )
P18-4015DX05-10XX	15	286.5	28.0	33.3	500	1000	498	0.172
P18-4021DX07-15XX	21	267.4	39.0	50	750	1500	337	0.172
P18-4027DX10-20XX	27	257.9	51.5	66.7	1000	2000	249	0.172
P18-4037DX15-30XX	37	235.6	70.0	100	1500	3000	169	0.172

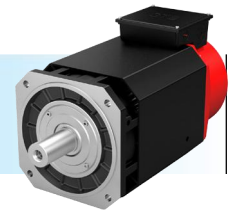
### ◆ Characteristic Curve



### ◆ Performance Index

ITEM	INDEX
ENCODER (OPTIONAL)	MG-128(MAGNETIC)
	CE9-23B(ABSOLUTE)
	RZ12-1024(RESOLVER)
	SC-2048(SIN-COS)
SHAFT TYPE	G:WITHOUT KEYSLOT
	J:WITH KEYSLOT
MOUNTING TYPE	B3 B5 B35
WEIGHT/GROSS WEIGHT	206 / 218kg
PROTECTION CLASS	IP55
INSULATION CLASS	F CLASS
RATED TEMPERATURE RISE	90K
VIBRATION CLASS	S
NOISE	≤70dB(A)
ENVIRONMENT TEMPERATURE	-15 ~ 45°C
ENVIRONMENT HUMIDITY	≤95%RH



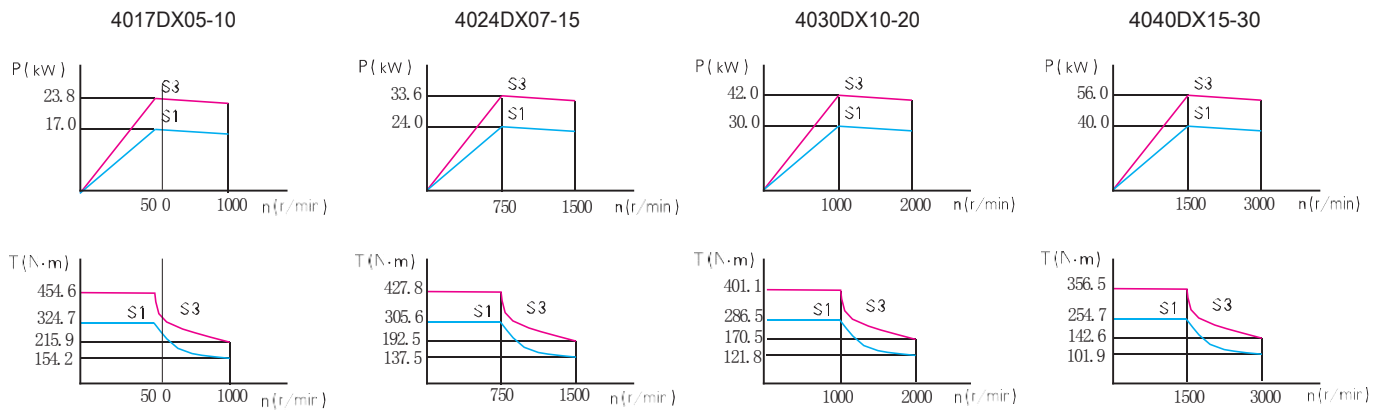


### ◆ Electrical Parameter

Voltage : 400V Pole : 8 Fan Power : 600W Fan Voltage : 380V

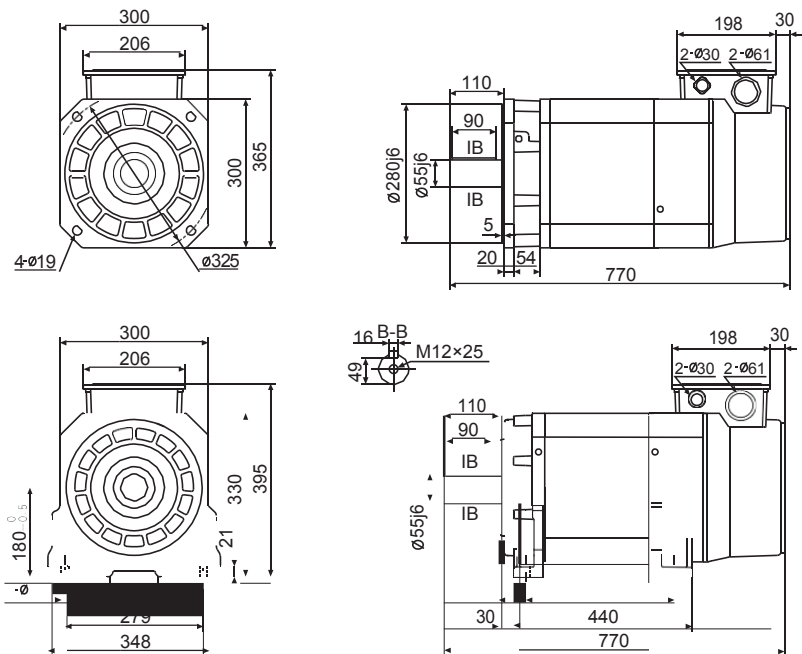
Motor model	Rated power (kW)	Rated torque (N·m)	Rated current (A)	Rated frequency (Hz)	Rated speed (r/min)	Maximum speed (r/min)	Anti-electromotive (V/krpm)	Rotational inertia (kg.m <sup>2</sup> )
P18-4017DX05-10XX	17	324.7	31.0	33.3	500	1000	506	0.1874
P18-4024DX07-15XX	24	305.6	42.5	50	750	1500	349	0.1874
P18-4030DX10-20XX	30	286.5	56.0	66.7	1000	2000	253	0.1874
P18-4040DX15-30XX	40	254.7	73.0	100	1500	3000	175	0.1874

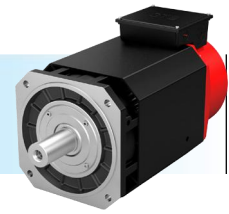
### ◆ Characteristic Curve



### ◆ Performance Index

ITEM	INDEX
ENCODER (OPTIONAL)	MG-128(MAGNETIC)
	CE9-23B(ABSOLUTE)
	RZ12-1024(RESOLVER)
	SC-2048(SIN-COS)
SHAFT TYPE	G:WITHOUT KEYSLOT
	J:WITH KEYSLOT
MOUNTING TYPE	B3 B5 B35
WEIGHT/GROSS WEIGHT	219 / 231kg
PROTECTION CLASS	IP55
INSULATION CLASS	F CLASS
RATED TEMPERATURE RISE	90K
VIBRATION CLASS	S
NOISE	≤70dB(A)
ENVIRONMENT TEMPERATURE	-15 ~ 45°C
ENVIRONMENT HUMIDITY	≤95%RH



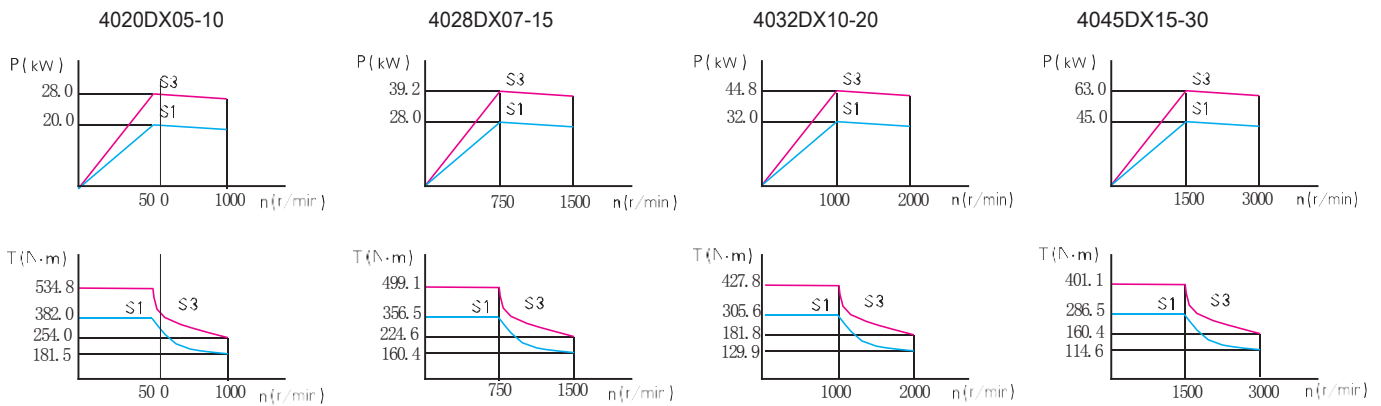


### Electrical Parameter

Voltage : 400V Pole : 8 Fan Power : 600W Fan Voltage : 380V

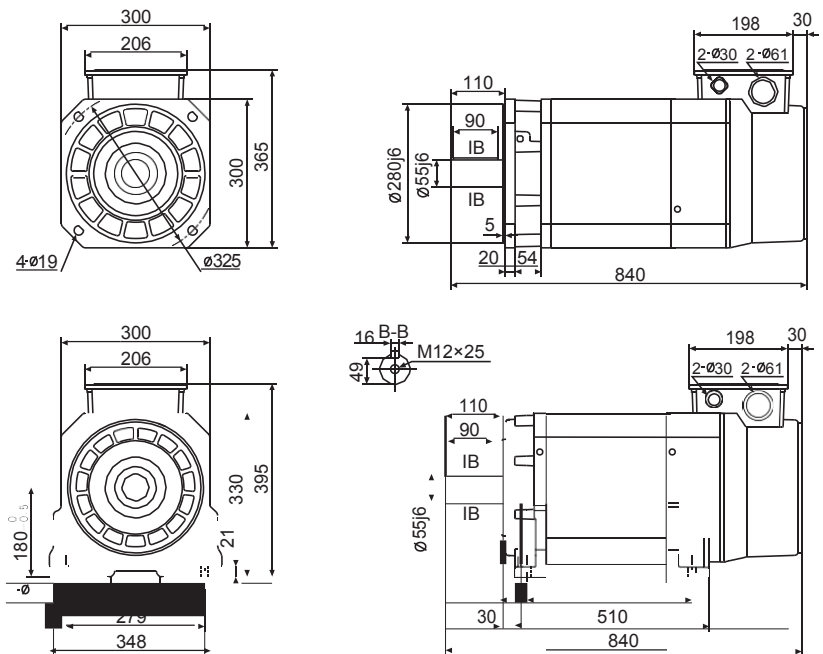
Motor model	Rated power (kW)	Rated torque (N·m)	Rated current (A)	Rated frequency (Hz)	Rated speed (r/min)	Maximum speed (r/min)	Anti-electromotive (V/krpm)	Rotational inertia (kg.m <sup>2</sup> )
P18-4020DX05-10XX	20	382.0	37.0	33.3	500	1000	506	0.2304
P18-4028DX07-15XX	28	356.5	52.0	50	750	1500	337	0.2304
P18-4032DX10-20XX	32	305.6	69.0	66.7	1000	2000	253	0.2304
P18-4045DX15-30XX	45	286.5	87.0	100	1500	3000	169	0.2304

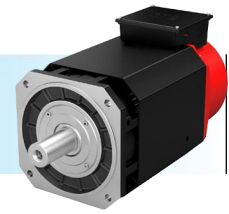
### Characteristic Curve



### Performance Index

ITEM	INDEX
ENCODER (OPTIONAL)	MG-128(MAGNETIC)
	CE9-23B(ABSOLUTE)
	RZ12-1024(RESOLVER)
	SC-2048(SIN-COS)
SHAFT TYPE	G:WITHOUT KEYSLOT
	J:WITH KEYSLOT
MOUNTING TYPE	B3 B5 B35
WEIGHT/GROSS WEIGHT	252 / 265kg
PROTECTION CLASS	IP55
INSULATION CLASS	F CLASS
RATED TEMPERATURE RISE	90K
VIBRATION CLASS	S
NOISE	≤70dB(A)
ENVIRONMENT TEMPERATURE	-15 ~ 45°C
ENVIRONMENT HUMIDITY	≤95%RH



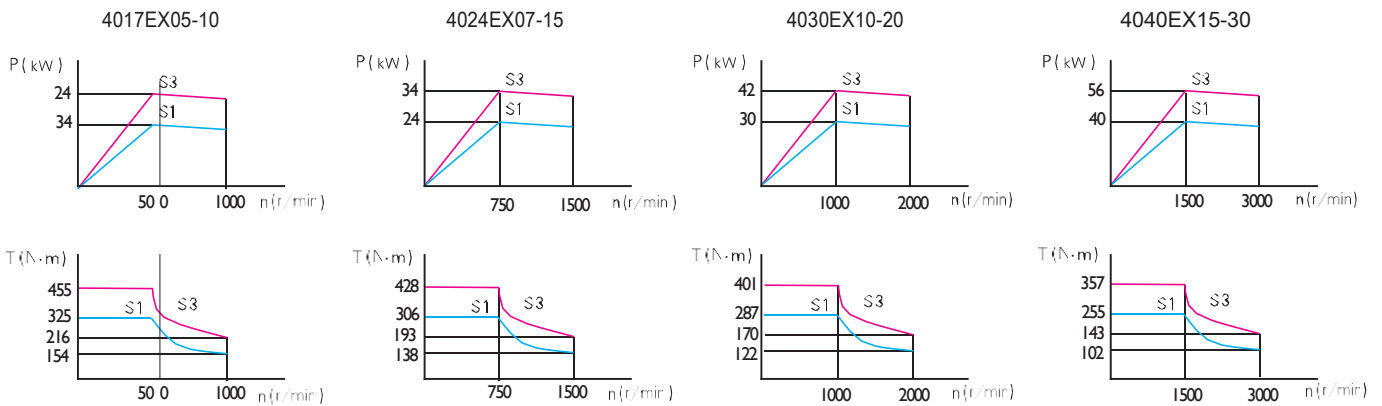


### ◆ Electrical Parameter

Voltage : 400V Pole : 8 Fan Power : 600W Fan Voltage : 380V

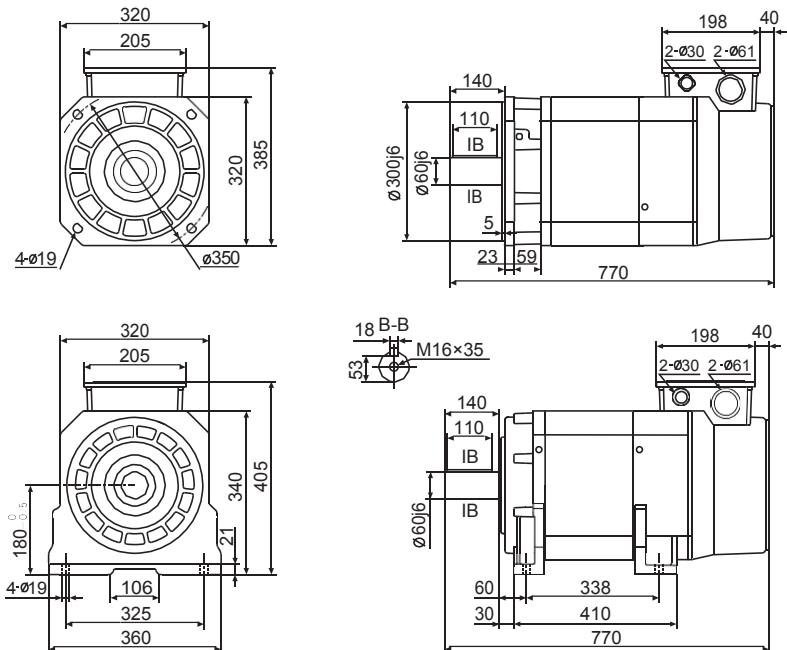
Motor model	Rated power (kW)	Rated torque (N·m)	Rated current (A)	Rated frequency (Hz)	Rated speed (r/min)	Maximum speed (r/min)	Anti-electromotive (V/krpm)	Rotational inertia (kg.m <sup>2</sup> )
P18-4017EX05-10XX	17	325	32	33.3	500	1000	492	0.2022
P18-4024EX07-15XX	24	306	45	50	750	1500	333	0.2022
P18-4030EX10-20XX	30	287	57	66.7	1000	2000	255	0.2022
P18-4040EX15-30XX	40	255	78	100	1500	3000	167	0.2022

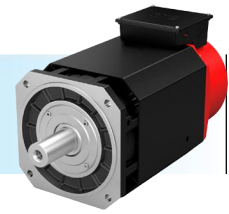
### ◆ Characteristic Curve



### ◆ Performance Index

ITEM	INDEX
ENCODER (OPTIONAL)	MG-256(MAGNETIC)
	CE9-23B(ABSOLUTE)
	RZ12-1024(RESOLVER)
	SC-2048(SIN-COS)
SHAFT TYPE	G:WITHOUT KEYSLOT
	J:WITH KEYSLOT
MOUNTING TYPE	B3 B5 B35
WEIGHT/GROSS WEIGHT	211 / 223kg
PROTECTION CLASS	IP55
INSULATION CLASS	F CLASS
RATED TEMPERATURE RISE	90K
VIBRATION CLASS	S
NOISE	≤70dB(A)
ENVIRONMENT TEMPERATURE	-15 ~ 45°C
ENVIRONMENT HUMIDITY	≤95%RH



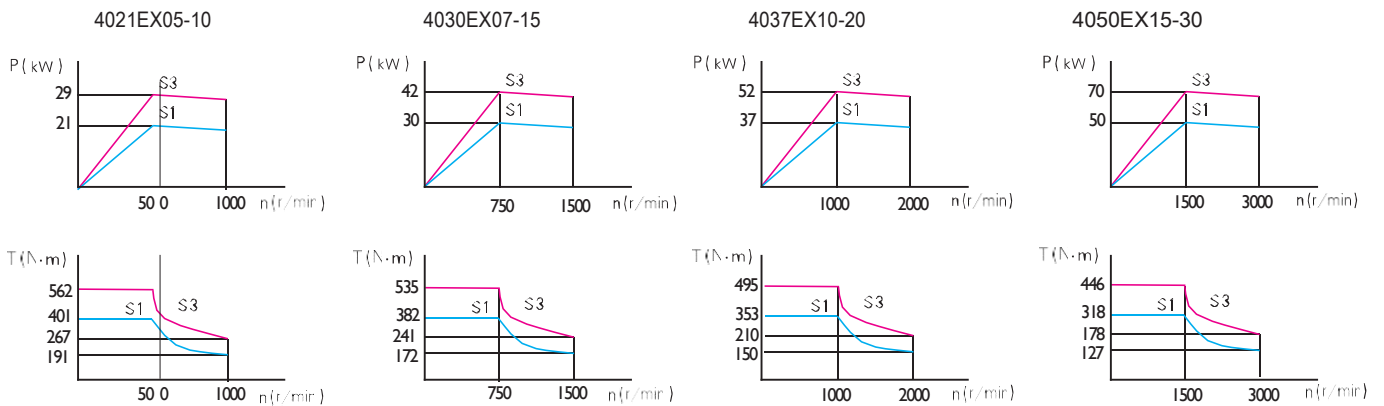


### ◆ Electrical Parameter

Voltage : 400V Pole : 8 Fan Power : 600W Fan Voltage : 380V

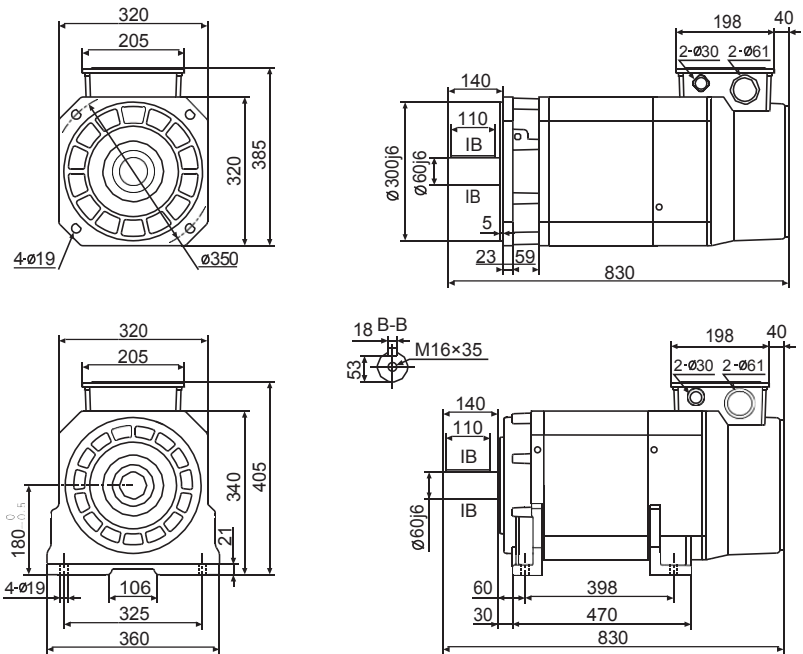
Motor model	Rated power (kW)	Rated torque (N·m)	Rated current (A)	Rated frequency (Hz)	Rated speed (r/min)	Maximum speed (r/min)	Anti-electromotive (V/krpm)	Rotational inertia (kg.m <sup>2</sup> )
P18-4021EX05-10XX	21	401	39	33.3	500	1000	506	0.2489
P18-4030EX07-15XX	30	382	57	50	750	1500	329	0.2489
P18-4037EX10-20XX	37	353	70	66.7	1000	2000	253	0.2489
P18-4050EX15-30XX	50	318	92	100	1500	3000	176	0.2489

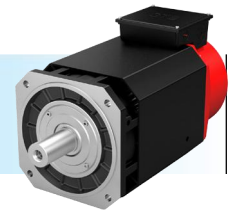
### ◆ Characteristic Curve



### ◆ Performance Index

ITEM	INDEX
ENCODER (OPTIONAL)	MG-256(MAGNETIC)
	CE9-23B(ABSOLUTE)
	RZ12-1024(RESOLVER)
	SC-2048(SIN-COS)
SHAFT TYPE	G:WITHOUT KEYSLOT
	J:WITH KEYSLOT
MOUNTING TYPE	B3 B5 B35
WEIGHT/GROSS WEIGHT	243 / 255kg
PROTECTION CLASS	IP55
INSULATION CLASS	F CLASS
RATED TEMPERATURE RISE	90K
VIBRATION CLASS	S
NOISE	≤70dB(A)
ENVIRONMENT TEMPERATURE	-15 ~ 45°C
ENVIRONMENT HUMIDITY	≤95%RH



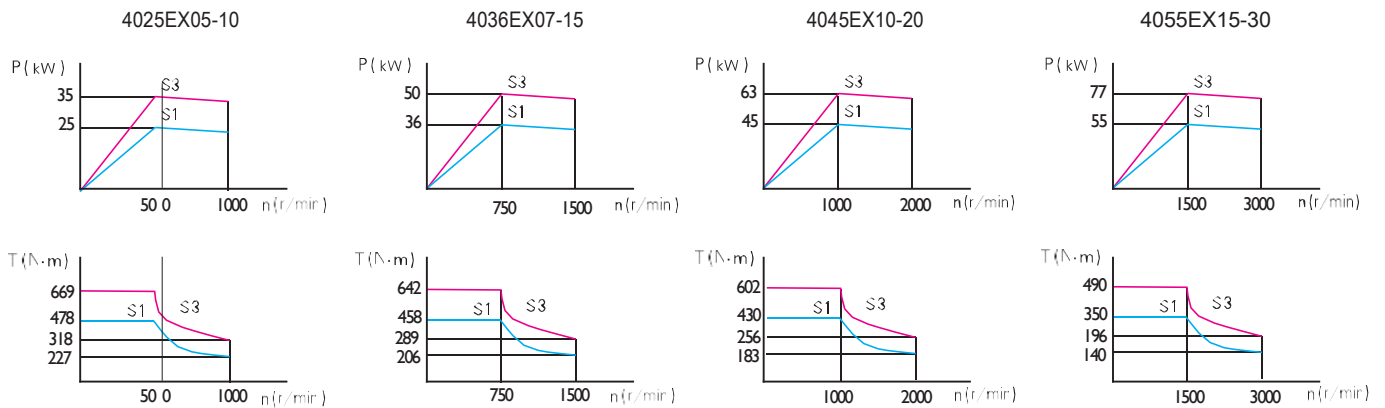


### Electrical Parameter

Voltage : 400V Pole : 8 Fan Power : 600W Fan Voltage : 380V

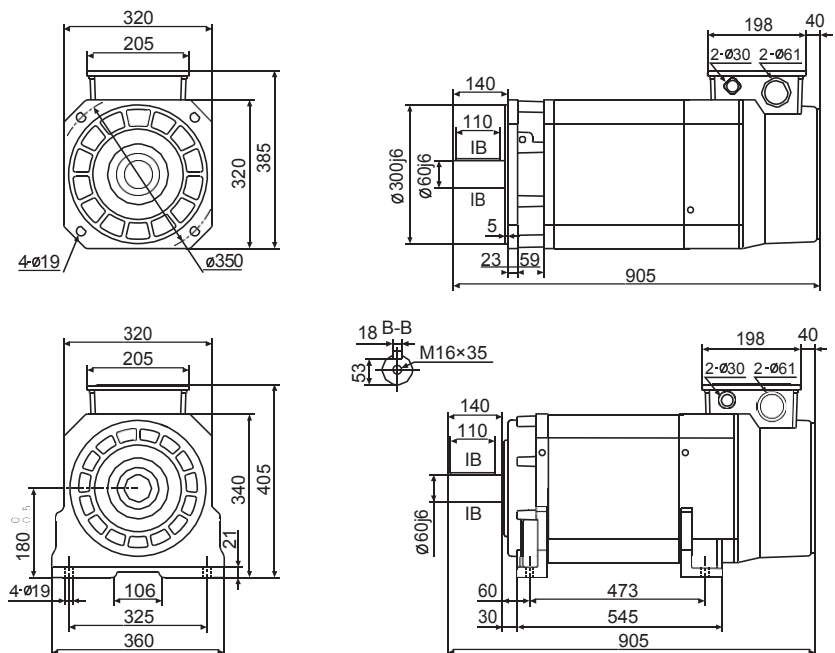
Motor model	Rated power (kW)	Rated torque (N·m)	Rated current (A)	Rated frequency (Hz)	Rated speed (r/min)	Maximum speed (r/min)	Anti-electromotive (V/krpm)	Rotational inertia (kg·m <sup>2</sup> )
P18-4025EX05-10XX	25	478	48	33.3	500	1000	494	0.3072
P18-4036EX07-15XX	36	458	69	50	750	1500	329	0.3072
P18-4045EX10-20XX	45	430	87	66.7	1000	2000	247	0.3072
P18-4055EX15-30XX	55	350	102	100	1500	3000	179	0.3072

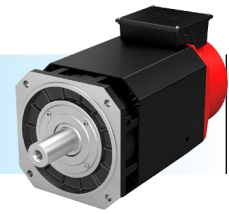
### Characteristic Curve



### Performance Index

ITEM	INDEX
ENCODER (OPTIONAL)	MG-256(MAGNETIC)
	CE9-23B(ABSOLUTE)
	RZ12-1024(RESOLVER)
	SC-2048(SIN-COS)
SHAFT TYPE	G:WITHOUT KEYSLOT
	J:WITH KEYSLOT
MOUNTING TYPE	B3 B5 B35
WEIGHT/GROSS WEIGHT	282 / 294kg
PROTECTION CLASS	IP55
INSULATION CLASS	F CLASS
RATED TEMPERATURE RISE	90K
VIBRATION CLASS	S
NOISE	≤70dB(A)
ENVIRONMENT TEMPERATURE	-15 ~ 45°C
ENVIRONMENT HUMIDITY	≤95%RH



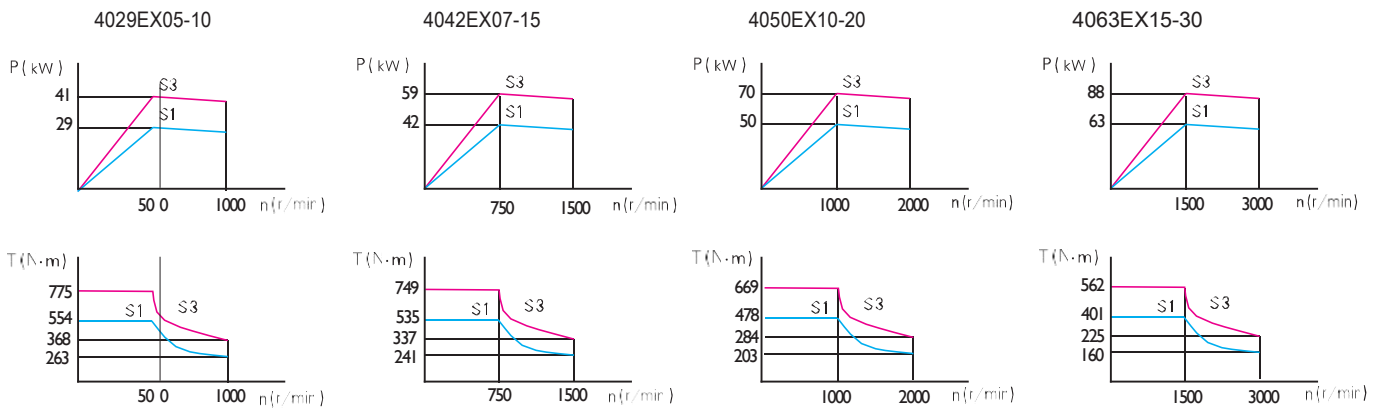


### Electrical Parameter

Voltage : 400V Pole : 8 Fan Power : 600W Fan Voltage : 380V

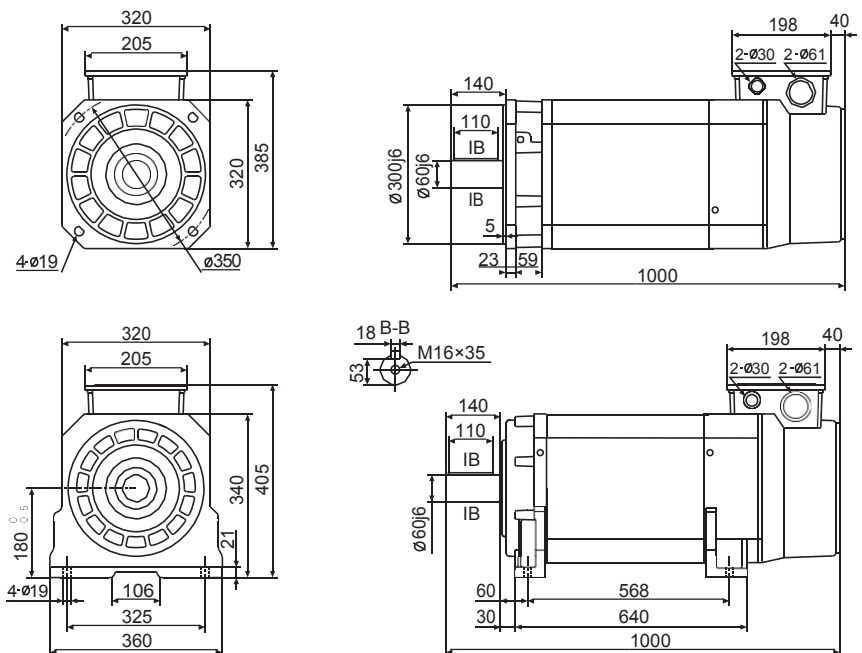
Motor model	Rated power (kW)	Rated torque (N·m)	Rated current (A)	Rated frequency (Hz)	Rated speed (r/min)	Maximum speed (r/min)	Anti-electromotive (V/krpm)	Rotational inertia (kg.m <sup>2</sup> )
P18-4029EX05-10XX	29	554	55	33.3	500	1000	498	0.3811
P18-4042EX07-15XX	42	535	78	50	750	1500	344	0.3811
P18-4050EX10-20XX	50	478	95	66.7	1000	2000	258	0.3811
P18-4063EX15-30XX	63	401	123	100	1500	3000	172	0.3811

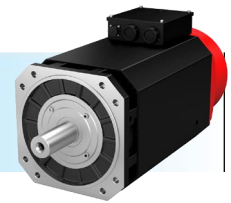
### Characteristic Curve



### Performance Index

ITEM	INDEX
ENCODER (OPTIONAL)	MG-256(MAGNETIC)
	CE9-23B(ABSOLUTE)
	RZ12-1024(RESOLVER)
	SC-2048(SIN-COS)
SHAFT TYPE	G:WITHOUT KEYSLOT
	J:WITH KEYSLOT
MOUNTING TYPE	B3 B5 B35
WEIGHT/GROSS WEIGHT	331 / 343kg
PROTECTION CLASS	IP55
INSULATION CLASS	F CLASS
RATED TEMPERATURE RISE	90K
VIBRATION CLASS	S
NOISE	≤70dB(A)
ENVIRONMENT TEMPERATURE	-15 ~ 45°C
ENVIRONMENT HUMIDITY	≤95%RH



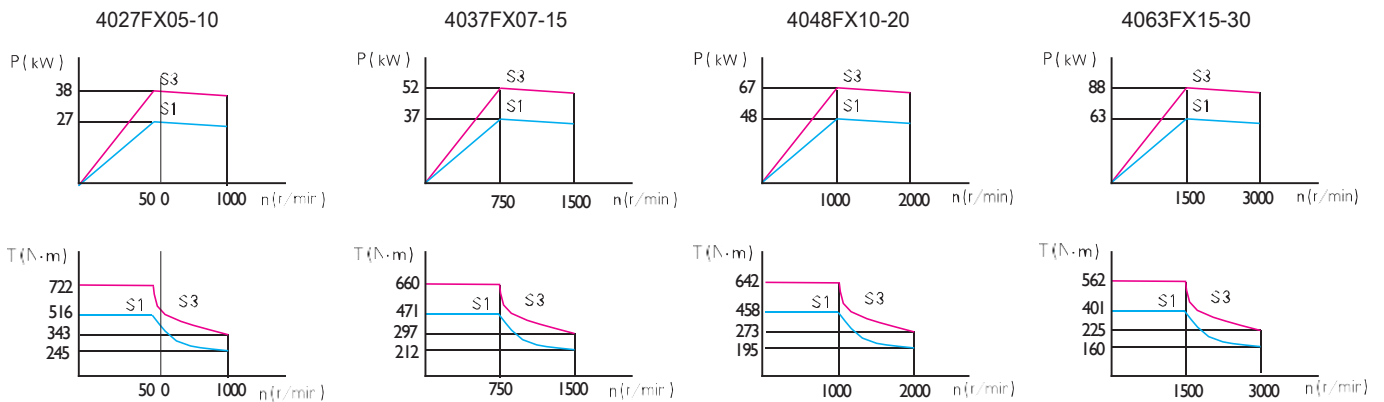


### ◆ Electrical Parameter

Voltage : 400V Pole : 8 Fan Power : 1.1kW Fan Voltage : 380V

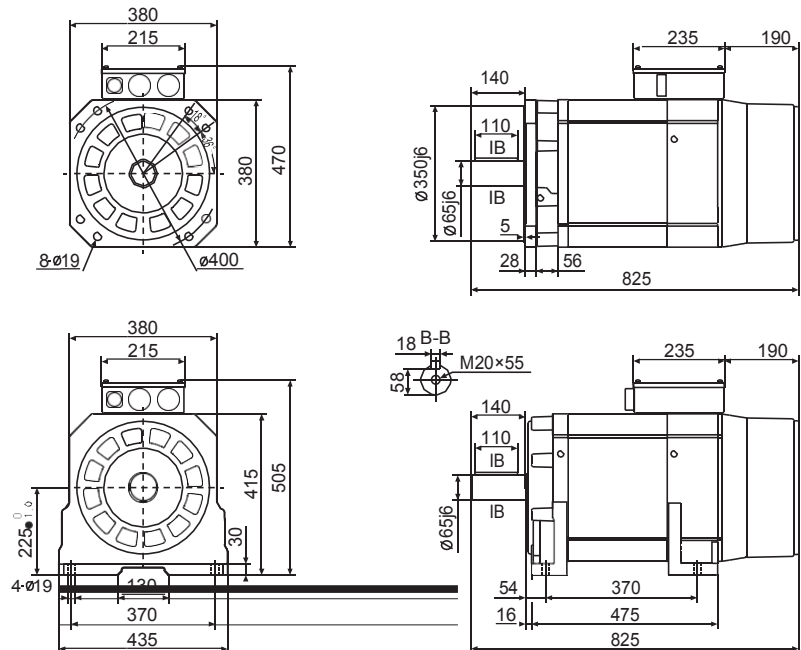
Motor model	Rated power (kW)	Rated torque (N·m)	Rated current (A)	Rated frequency (Hz)	Rated speed (r/min)	Maximum speed (r/min)	Anti-electromotive (V/krpm)	Rotational inertia (kg.m <sup>2</sup> )
P18-4027FX05-10XX	27	516	50	33.3	500	1000	486	0.3902
P18-4037FX07-15XX	37	471	69	50	750	1500	324	0.3902
P18-4048FX10-20XX	48	458	86	66.7	1000	2000	253	0.3902
P18-4063FX15-30XX	63	401	113	100	1500	3000	172	0.3902

### ◆ Characteristic Curve

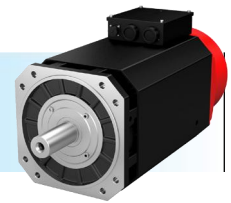


### ◆ Performance Index

ITEM	INDEX
ENCODER (OPTIONAL)	MG-256(MAGNETIC)
	CE9-23B(ABSOLUTE)
	RZ12-1024(RESOLVER)
	SC-2048(SIN-COS)
SHAFT TYPE	G:WITHOUT KEYSLOT
	J:WITH KEYSLOT
MOUNTING TYPE	B3 B5 B35
WEIGHT/GROSS WEIGHT	341 / 353kg
PROTECTION CLASS	IP55
INSULATION CLASS	F CLASS
RATED TEMPERATURE RISE	90K
VIBRATION CLASS	S
NOISE	≤70dB(A)
ENVIRONMENT TEMPERATURE	-15 ~ 45°C
ENVIRONMENT HUMIDITY	≤95%RH





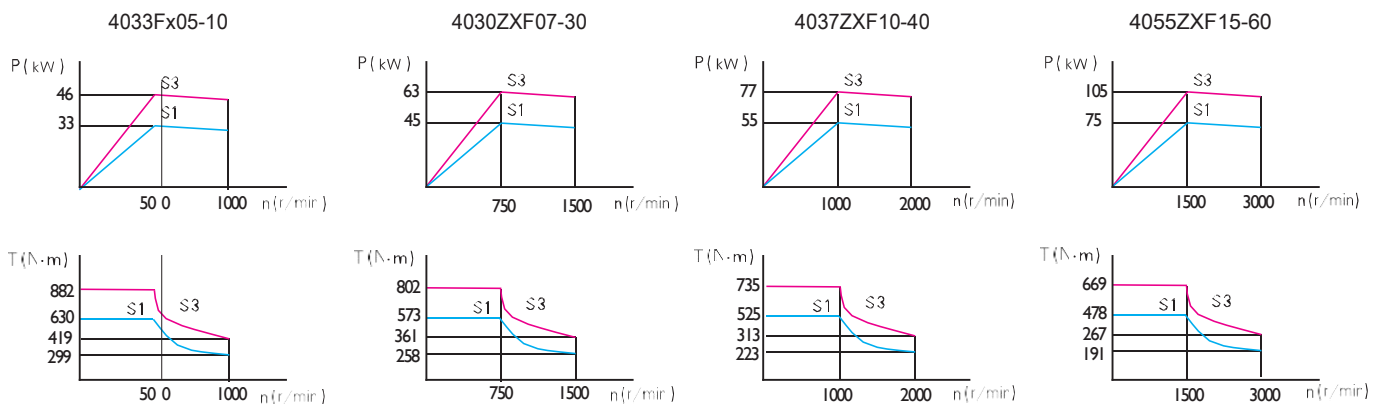


### Electrical Parameter

Voltage : 400V Pole : 8 Fan Power : 1.1kW Fan Voltage : 380V

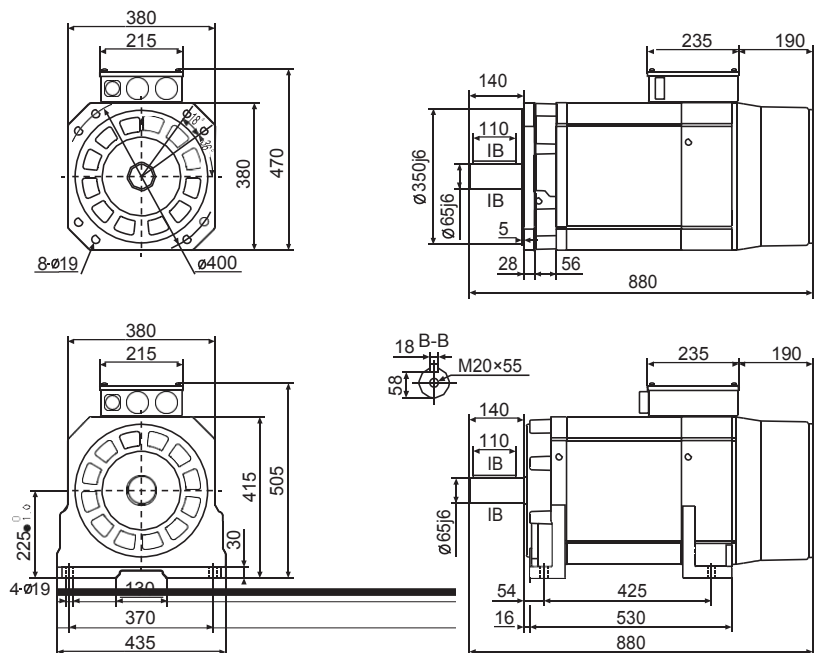
Motor model	Rated power (kW)	Rated torque (N·m)	Rated current (A)	Rated frequency (Hz)	Rated speed (r/min)	Maximum speed (r/min)	Anti-electromotive (V/krpm)	Rotational inertia (kg.m <sup>2</sup> )
P18-4033FX05-10XX	33	630	59	33.3	500	1000	500	0.4731
P18-4045FX07-15XX	45	573	84	50	750	1500	324	0.4731
P18-4055FX10-20XX	55	525	101	66.7	1000	2000	250	0.4731
P18-4075FX15-30XX	75	478	142	100	1500	3000	163	0.4731

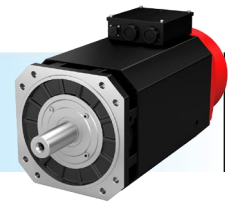
### Characteristic Curve



### Performance Index

ITEM	INDEX
ENCODER (OPTIONAL)	MG-256(MAGNETIC)
	CE9-23B(ABSOLUTE)
	RZ12-1024(RESOLVER)
	SC-2048(SIN-COS)
SHAFT TYPE	G:WITHOUT KEYSLOT
	J:WITH KEYSLOT
MOUNTING TYPE	B3 B5 B35
WEIGHT/GROSS WEIGHT	383 / 398kg
PROTECTION CLASS	IP55
INSULATION CLASS	F CLASS
RATED TEMPERATURE RISE	90K
VIBRATION CLASS	S
NOISE	≤70dB(A)
ENVIRONMENT TEMPERATURE	-15 ~ 45°C
ENVIRONMENT HUMIDITY	≤95%RH



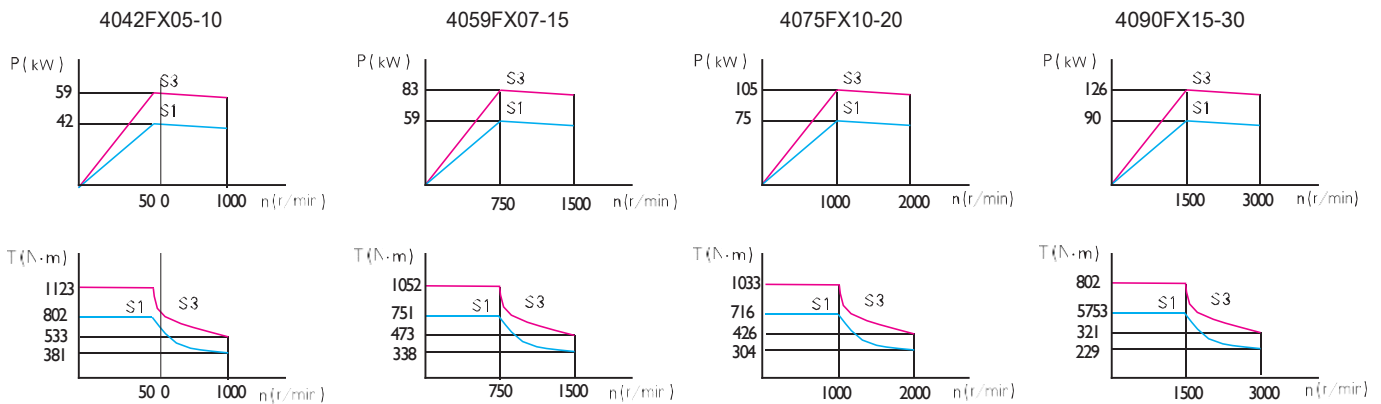


### Electrical Parameter

Voltage : 400V Pole : 8 Fan Power : 1.1kW Fan Voltage : 380V

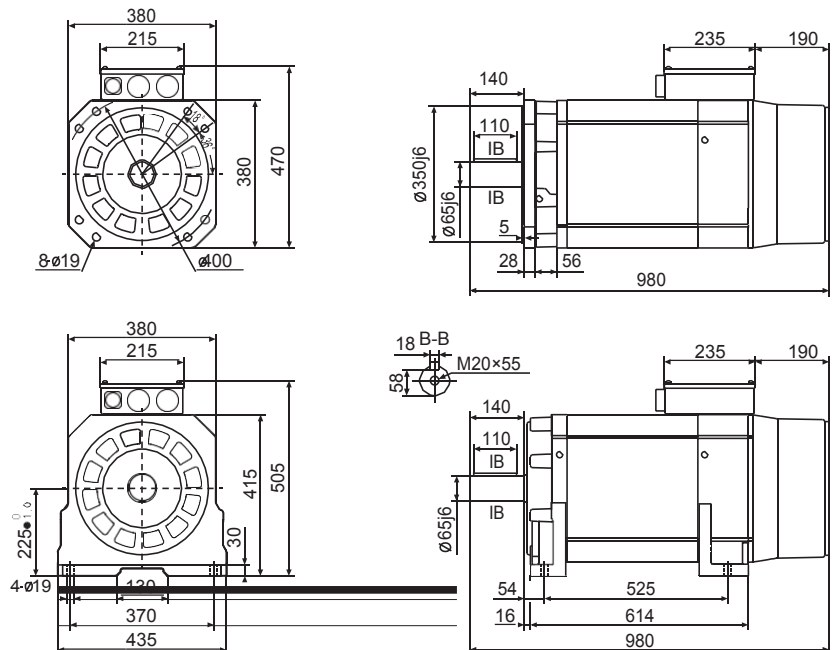
Motor model	Rated power (kW)	Rated torque (N·m)	Rated current (A)	Rated frequency (Hz)	Rated speed (r/min)	Maximum speed (r/min)	Anti-electromotive (V/krpm)	Rotational inertia (kg.m <sup>2</sup> )
P18-4042FX05-10XX	42	802	75	33.3	500	1000	504	0.6237
P18-4059FX07-15XX	59	751	106	50	750	1500	336	0.6237
P18-4075FX10-20XX	75	716	136	66.7	1000	2000	252	0.6237
P18-4090FX15-30XX	90	573	168	100	1500	3000	168	0.6237

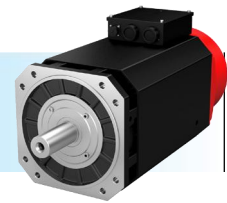
### Characteristic Curve



### Performance Index

ITEM	INDEX
ENCODER (OPTIONAL)	MG-256(MAGNETIC)
	CE9-23B(ABSOLUTE)
	RZ12-1024(RESOLVER)
	SC-2048(SIN-COS)
SHAFT TYPE	G:WITHOUT KEYSLOT
	J:WITH KEYSLOT
MOUNTING TYPE	B3 B5 B35
WEIGHT/GROSS WEIGHT	460 / 475kg
PROTECTION CLASS	IP55
INSULATION CLASS	F CLASS
RATED TEMPERATURE RISE	90K
VIBRATION CLASS	S
NOISE	≤70dB(A)
ENVIRONMENT TEMPERATURE	-15 ~ 45°C
ENVIRONMENT HUMIDITY	≤95%RH



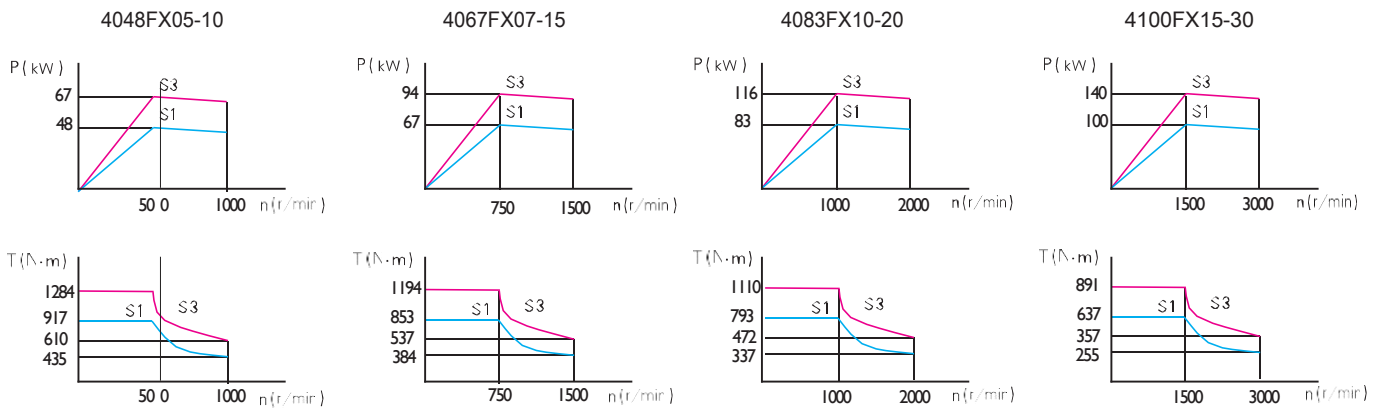


### Electrical Parameter

Voltage : 400V Pole : 8 Fan Power : 1.1kW Fan Voltage : 380V

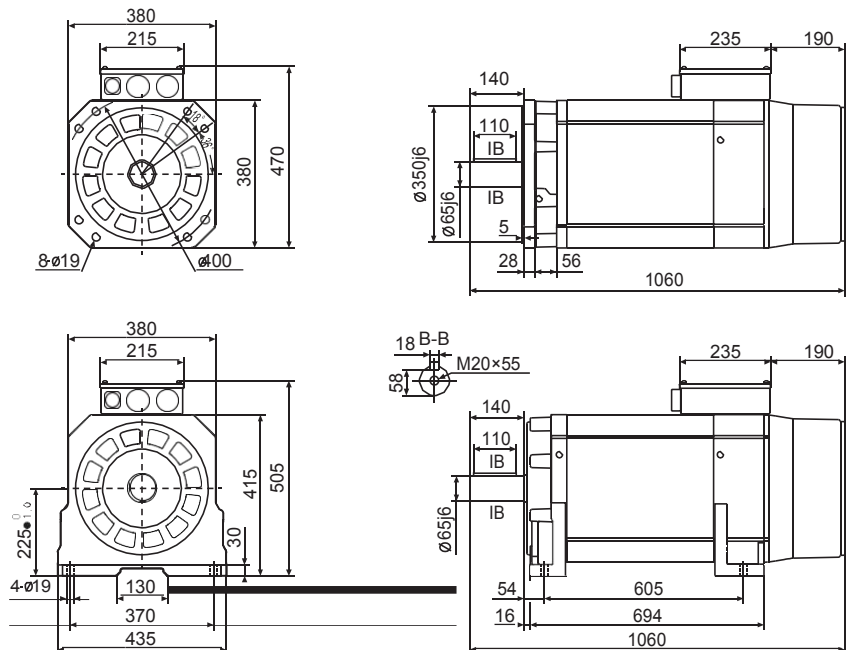
Motor model	Rated power (kW)	Rated torque (N·m)	Rated current (A)	Rated frequency (Hz)	Rated speed (r/min)	Maximum speed (r/min)	Anti-electromotive (V/krpm)	Rotational inertia (kg.m <sup>2</sup> )
P18-4048FX05-10XX	48	917	86	33.3	500	1000	506	0.7443
P18-4067FX07-15XX	67	853	125	50	750	1500	324	0.7443
P18-4083FX10-20XX	83	793	157	66.7	1000	2000	243	0.7443
P18-4100FX15-30XX	100	637	196	100	1500	3000	162	0.7443

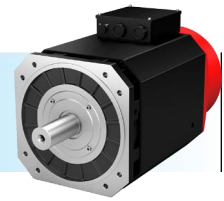
### Characteristic Curve



### Performance Index

ITEM	INDEX
ENCODER (OPTIONAL)	MG-256(MAGNETIC)
	CE9-23B(ABSOLUTE)
	RZ12-1024(RESOLVER)
	SC-2048(SIN-COS)
SHAFT TYPE	G:WITHOUT KEYSLOT
	J:WITH KEYSLOT
MOUNTING TYPE	B3 B5 B35
WEIGHT/GROSS WEIGHT	521 / 536kg
PROTECTION CLASS	IP55
INSULATION CLASS	F CLASS
RATED TEMPERATURE RISE	90K
VIBRATION CLASS	S
NOISE	≤70dB(A)
ENVIRONMENT TEMPERATURE	-15 ~ 45°C
ENVIRONMENT HUMIDITY	≤95%RH



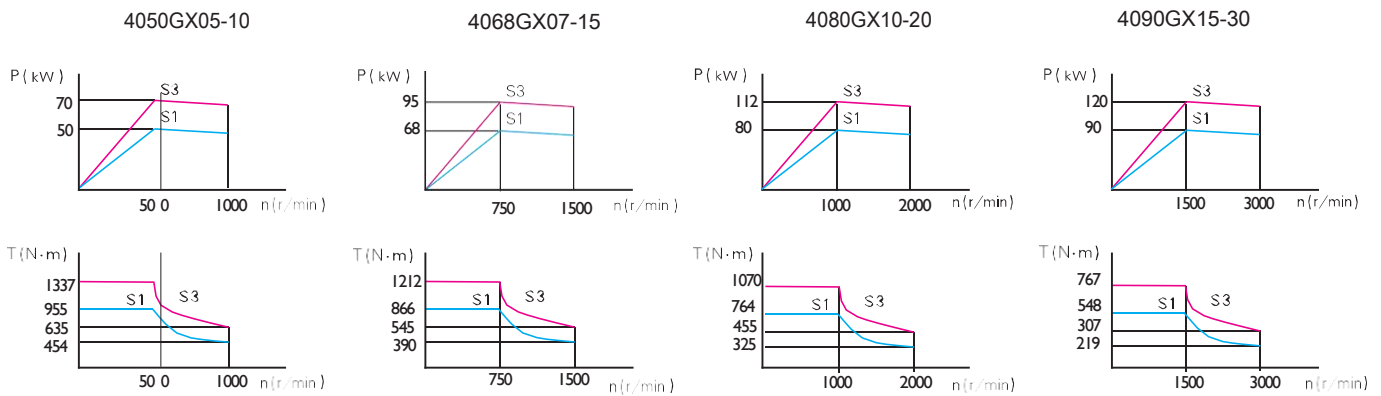


### ◆ Electrical Parameter

Voltage : 400V Pole : 12 Fan Power : 1.5kW Fan Voltage : 380V

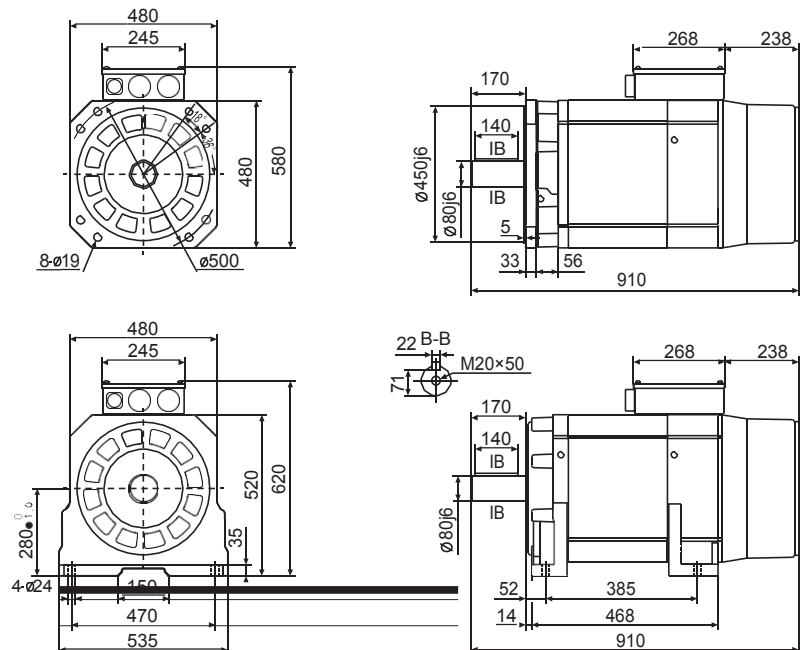
Motor model	Rated power (kW)	Rated torque (N·m)	Rated current (A)	Rated frequency (Hz)	Rated speed (r/min)	Maximum speed (r/min)	Anti-electromotive (V/krpm)	Rotational inertia (kg.m <sup>2</sup> )
P18-4050GX05-10XX	50	955	91	50	500	1000	512	1.4574
P18-4068GX07-15XX	68	866	124	75	750	1500	347	1.4574
P18-4080GX10-20XX	80	764	150	100	1000	2000	256	1.4574
P18-4090GX15-30XX	90	573	182	150	1500	3000	166	1.4574

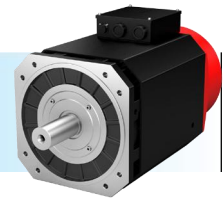
### ◆ Characteristic Curve



### ◆ Performance Index

ITEM	INDEX
ENCODER (OPTIONAL)	MG-256(MAGNETIC)
	CE9-23B(ABSOLUTE)
	RZ12-1024(RESOLVER)
	SC-2048(SIN-COS)
SHAFT TYPE	G:WITHOUT KEYSLOT
	J:WITH KEYSLOT
MOUNTING TYPE	B3 B5 B35
WEIGHT/GROSS WEIGHT	535 / 555kg
PROTECTION CLASS	IP55
INSULATION CLASS	F CLASS
RATED TEMPERATURE RISE	90K
VIBRATION CLASS	S
NOISE	≤70dB(A)
ENVIRONMENT TEMPERATURE	-15 ~ 45°C
ENVIRONMENT HUMIDITY	≤95%RH



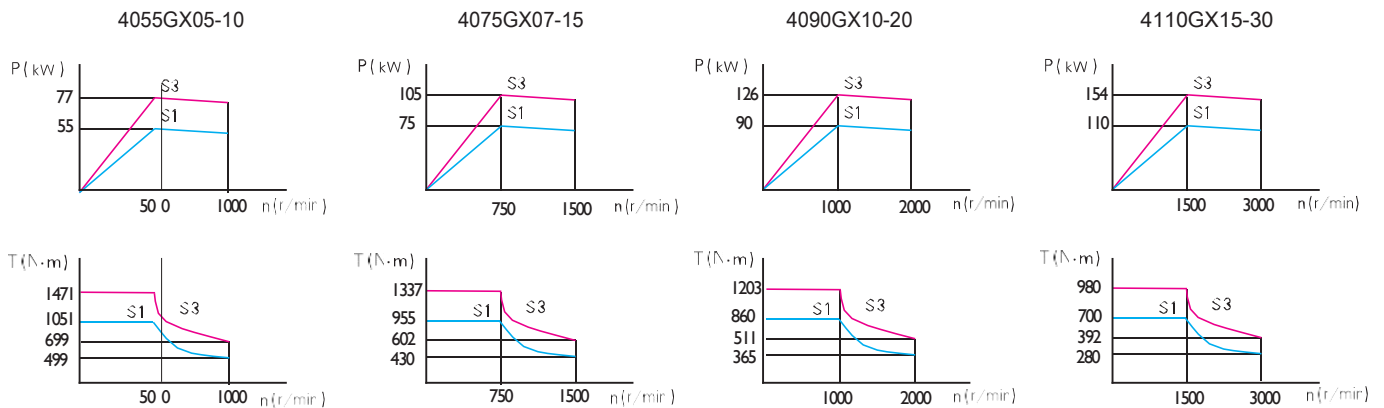


### Electrical Parameter

Voltage : 400V Pole : 12 Fan Power : 1.5kW Fan Voltage : 380V

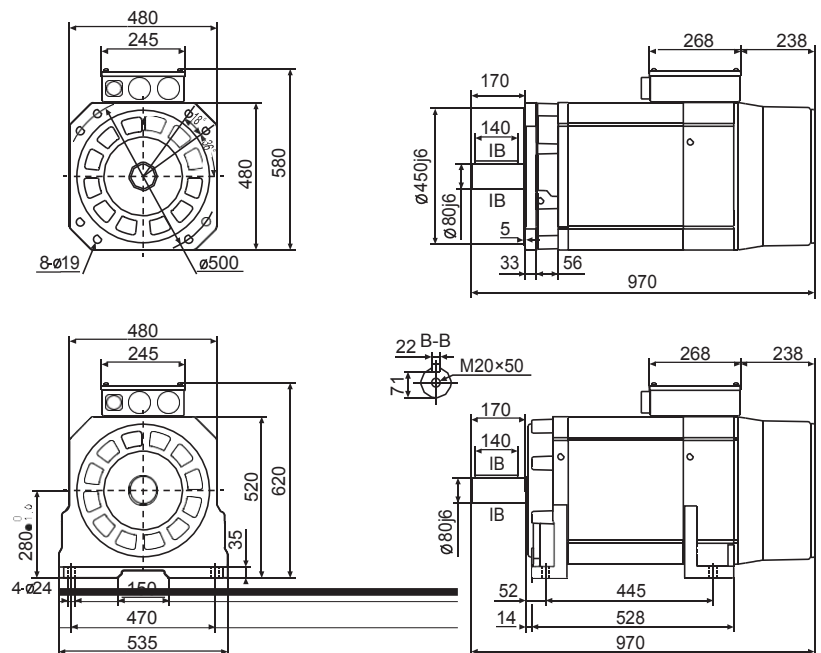
Motor model	Rated power (kW)	Rated torque (N·m)	Rated current (A)	Rated frequency (Hz)	Rated speed (r/min)	Maximum speed (r/min)	Anti-electromotive (V/krpm)	Rotational inertia (kg.m <sup>2</sup> )
P18-4055GX05-10XX	55	1051	100	50	500	1000	524	1.7723
P18-4075GX07-15XX	75	955	137	75	750	1500	355	1.7723
P18-4090GX10-20XX	90	860	168	100	1000	2000	262	1.7723
P18-4110GX15-30XX	110	700	220	150	1500	3000	168	1.7723

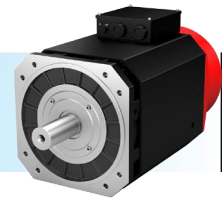
### Characteristic Curve



### Performance Index

ITEM	INDEX
ENCODER (OPTIONAL)	MG-256(MAGNETIC)
	CE9-23B(ABSOLUTE)
	RZ12-1024(RESOLVER)
	SC-2048(SIN-COS)
SHAFT TYPE	G:WITHOUT KEYSLOT
	J:WITH KEYSLOT
MOUNTING TYPE	B3 B5 B35
WEIGHT/GROSS WEIGHT	605 / 625kg
PROTECTION CLASS	IP55
INSULATION CLASS	F CLASS
RATED TEMPERATURE RISE	90K
VIBRATION CLASS	S
NOISE	≤70dB(A)
ENVIRONMENT TEMPERATURE	-15 ~ 45°C
ENVIRONMENT HUMIDITY	≤95%RH



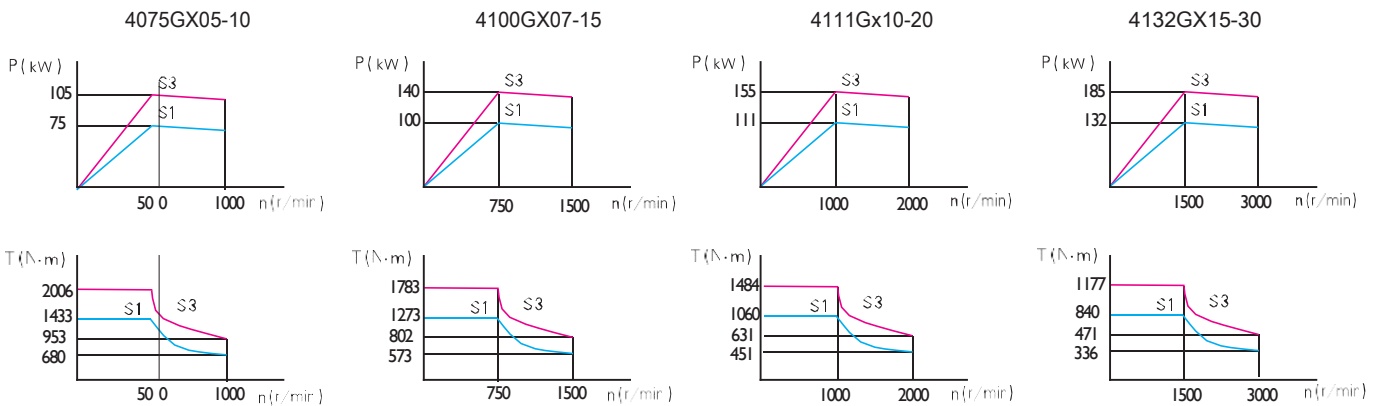


### ◆ Electrical Parameter

Voltage : 400V Pole : 12 Fan Power : 1.5kW Fan Voltage : 380V

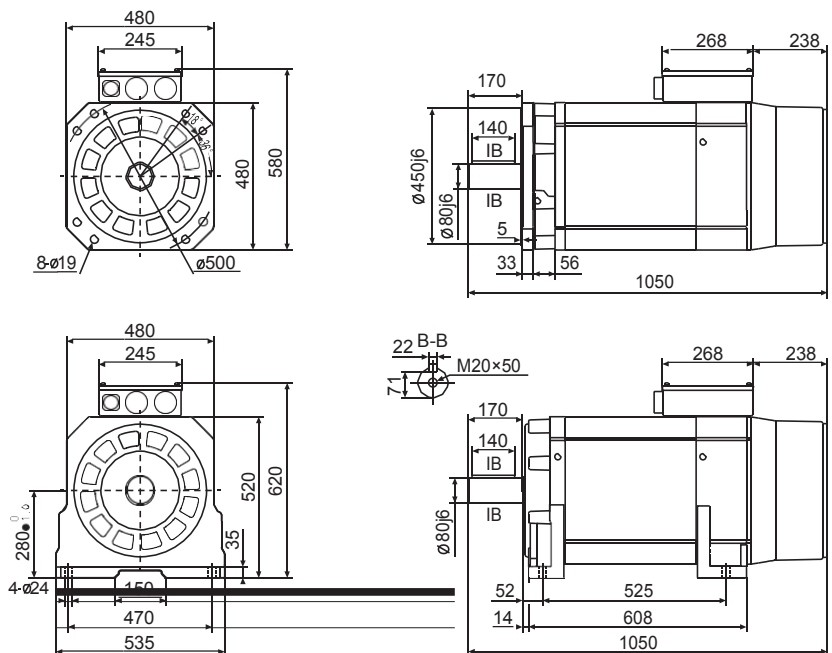
Motor model	Rated power (kW)	Rated torque (N·m)	Rated current (A)	Rated frequency (Hz)	Rated speed (r/min)	Maximum speed (r/min)	Anti-electromotive (V/krpm)	Rotational inertia (kg.m <sup>2</sup> )
P18-4075GX05-10XX	75	1433	136	50	500	1000	518	2.1922
P18-4100GX07-15XX	100	1273	180	75	750	1500	352	2.1922
P18-4111GX10-20XX	111	1060	210	100	1000	2000	259	2.1922
P18-4132GX15-30XX	132	840	272	150	1500	3000	165	2.1922

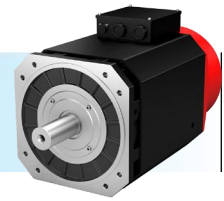
### ◆ Characteristic Curve



### ◆ Performance Index

ITEM	INDEX
ENCODER (OPTIONAL)	MG-256(MAGNETIC)
	CE9-23B(ABSOLUTE)
	RZ12-1024(RESOLVER)
	SC-2048(SIN-COS)
SHAFT TYPE	G:WITHOUT KEYSLOT
	J:WITH KEYSLOT
MOUNTING TYPE	B3 B5 B35
WEIGHT/GROSS WEIGHT	704 / 724kg
PROTECTION CLASS	IP55
INSULATION CLASS	F CLASS
RATED TEMPERATURE RISE	90K
VIBRATION CLASS	S
NOISE	≤70dB(A)
ENVIRONMENT TEMPERATURE	-15 ~ 45°C
ENVIRONMENT HUMIDITY	≤95%RH



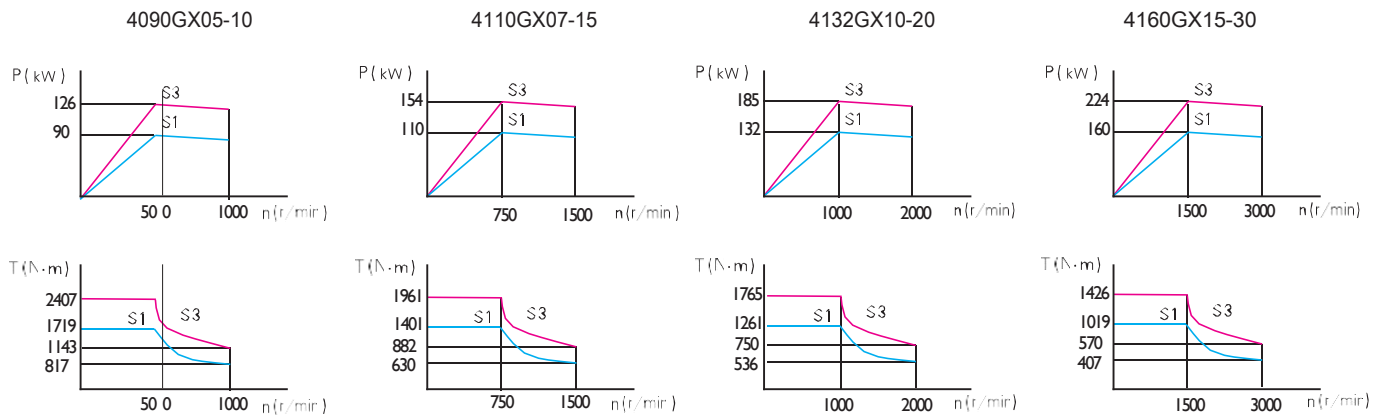


### Electrical Parameter

Voltage : 400V Pole : 12 Fan Power : 1.5kW Fan Voltage : 380V

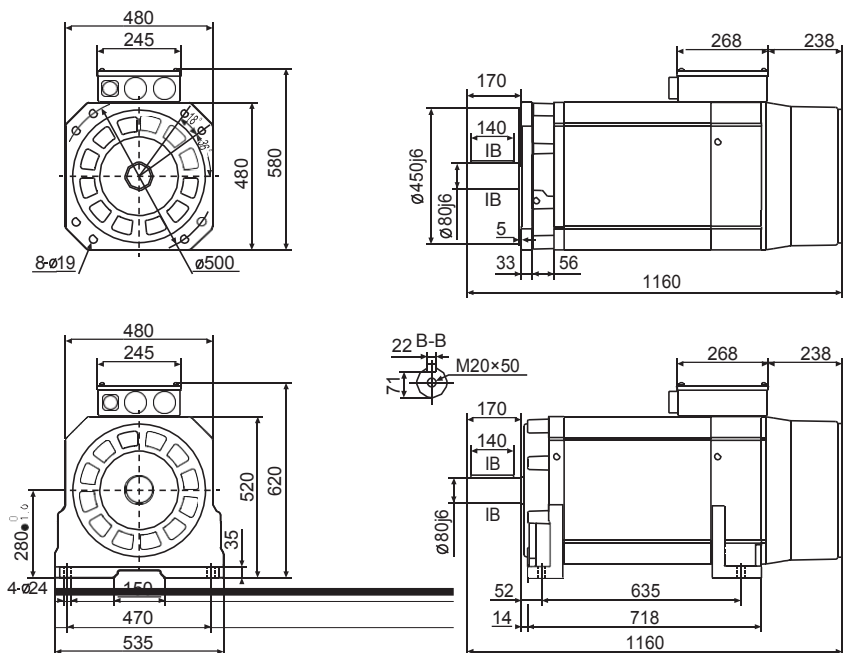
Motor model	Rated power (kW)	Rated torque (N·m)	Rated current (A)	Rated frequency (Hz)	Rated speed (r/min)	Maximum speed (r/min)	Anti-electromotive (V/krpm)	Rotational inertia (kg.m <sup>2</sup> )
P18-4090GX05-10XX	90	1719	166	50	500	1000	512	2.7695
P18-4110GX07-15XX	110	1401	198	75	750	1500	361	2.7695
P18-4132GX10-20XX	132	1261	241	100	1000	2000	271	2.7695
P18-4160GX15-30XX	160	1019	363	150	1500	3000	151	2.7695

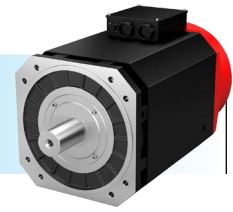
### Characteristic Curve



### Performance Index

ITEM	INDEX
ENCODER (OPTIONAL)	MG-256(MAGNETIC)
	CE9-23B(ABSOLUTE)
	RZ12-1024(RESOLVER)
	SC-2048(SIN-COS)
SHAFT TYPE	G:WITHOUT KEYSLOT
	J:WITH KEYSLOT
MOUNTING TYPE	B3 B5 B35
WEIGHT/GROSS WEIGHT	834 / 854kg
PROTECTION CLASS	IP55
INSULATION CLASS	F CLASS
RATED TEMPERATURE RISE	90K
VIBRATION CLASS	S
NOISE	≤70dB(A)
ENVIRONMENT TEMPERATURE	-15 ~ 45°C
ENVIRONMENT HUMIDITY	≤95%RH



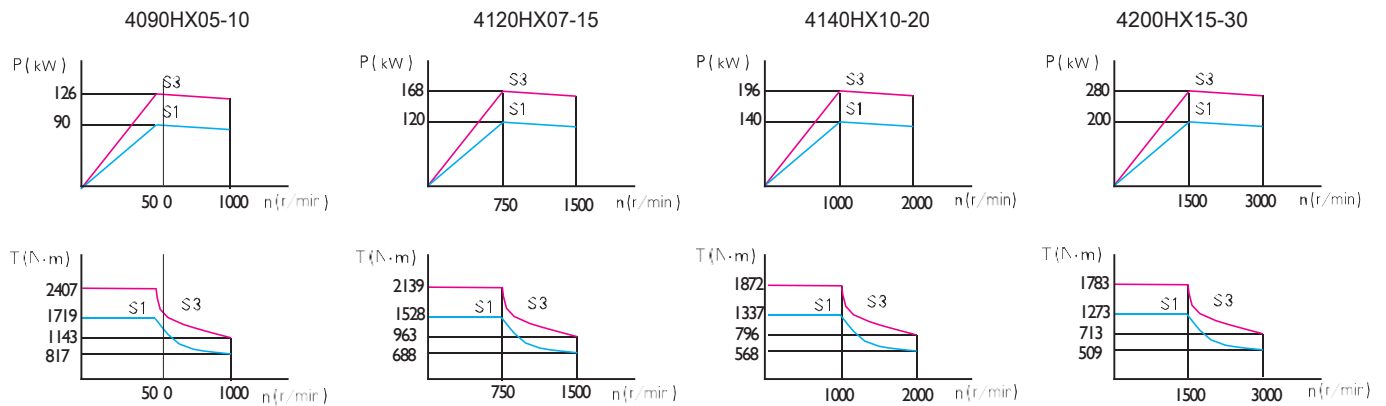


### ◆ Electrical Parameter

Voltage : 400V Pole : 12 Fan Power : 1.5kW Fan Voltage : 380V

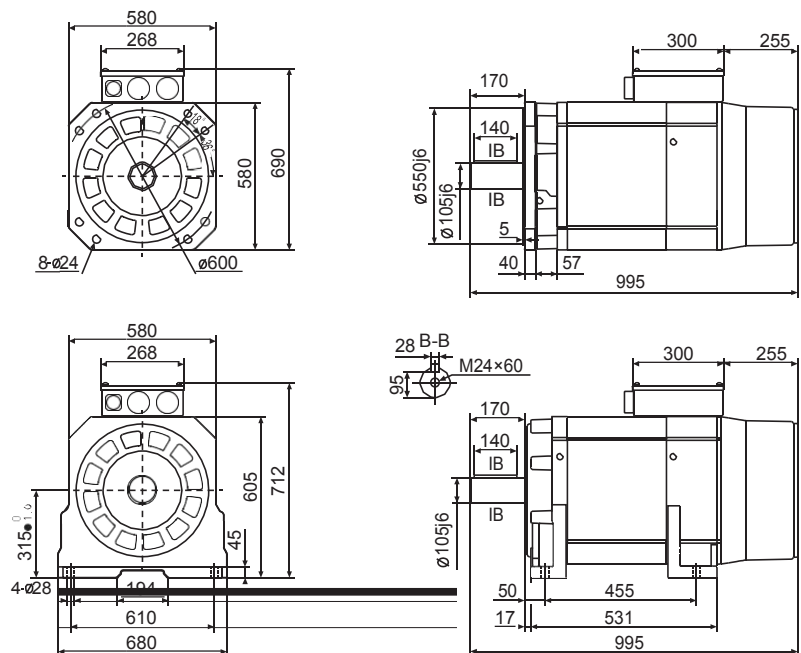
Motor model	Rated power (kW)	Rated torque (N·m)	Rated current (A)	Rated frequency (Hz)	Rated speed (r/min)	Maximum speed (r/min)	Anti-electromotive (V/krpm)	Rotational inertia (kg.m <sup>2</sup> )
P18-4090HX05-10XX	90	1719	162	50	500	1000	506	3.9423
P18-4120HX07-15XX	120	1528	220	75	750	1500	337	3.9423
P18-4140HX10-20XX	140	1337	260	100	1000	2000	253	3.9423
P18-4200HX15-30XX	200	1273	375	150	1500	3000	169	3.9423

### ◆ Characteristic Curve

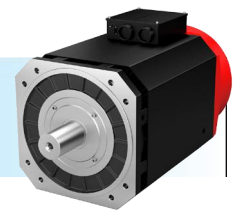


### ◆ Performance Index

ITEM	INDEX
ENCODER (OPTIONAL)	MG-256(MAGNETIC)
	CE9-23B(ABSOLUTE)
	RZ12-1024(RESOLVER)
	SC-2048(SIN-COS)
SHAFT TYPE	G:WITHOUT KEYSLOT
	J:WITH KEYSLOT
MOUNTING TYPE	B3 B5 B35
WEIGHT/GROSS WEIGHT	889 / 914kg
PROTECTION CLASS	IP55
INSULATION CLASS	F CLASS
RATED TEMPERATURE RISE	90K
VIBRATION CLASS	S
NOISE	≤70dB(A)
ENVIRONMENT TEMPERATURE	-15 ~ 45°C
ENVIRONMENT HUMIDITY	≤95%RH





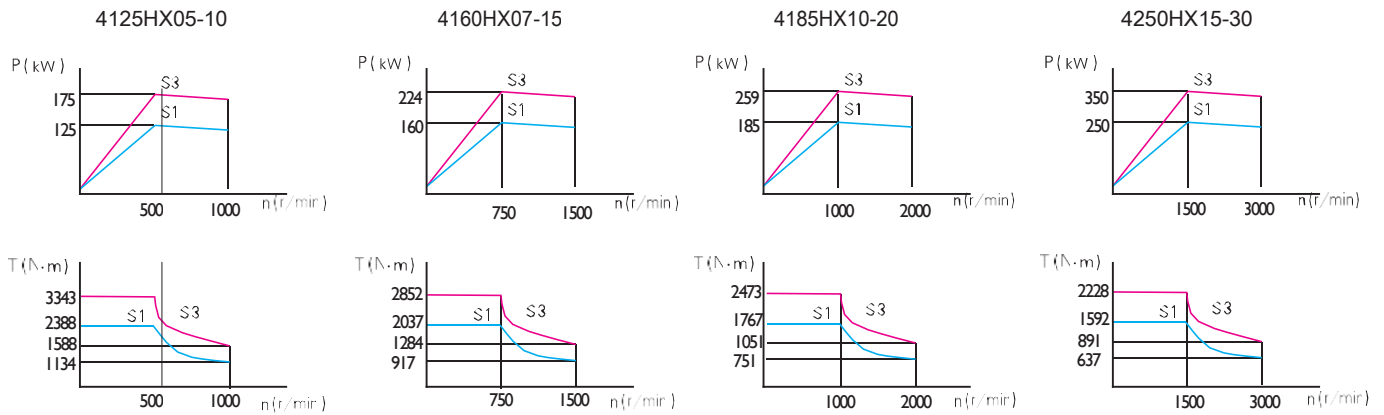


### ◆ Electrical Parameter

Voltage : 400V Pole : 12 Fan Power : 1.5kW Fan Voltage : 380V

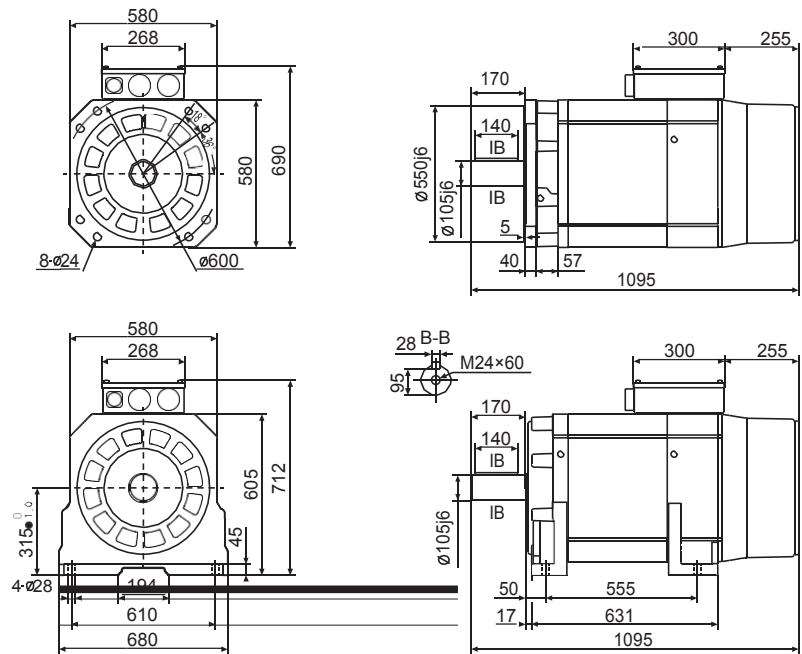
Motor model	Rated power (kW)	Rated torque (N·m)	Rated current (A)	Rated frequency (Hz)	Rated speed (r/min)	Maximum speed (r/min)	Anti-electromotive (V/krpm)	Rotational inertia (kg.m <sup>2</sup> )
P18-4125HX05-10XX	125	2388	224	50	500	1000	506	5.1422
P18-4160HX07-15XX	160	2037	293	75	750	1500	337	5.1422
P18-4185HX10-20XX	185	1767	344	100	1000	2000	253	5.1422
P18-4250HX15-30XX	250	1592	472	150	1500	3000	169	5.1422

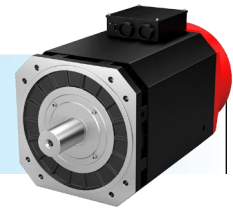
### ◆ Characteristic Curve



### ◆ Performance Index

ITEM	INDEX
ENCODER (OPTIONAL)	MG-256(MAGNETIC)
	CE9-23B(ABSOLUTE)
	RZ12-1024(RESOLVER)
	SC-2048(SIN-COS)
SHAFT TYPE	G:WITHOUT KEYSLOT
	J:WITH KEYSLOT
MOUNTING TYPE	B3 B5 B35
WEIGHT/GROSS WEIGHT	1054 / 1079kg
PROTECTION CLASS	IP55
INSULATION CLASS	F CLASS
RATED TEMPERATURE RISE	90K
VIBRATION CLASS	S
NOISE	≤70dB(A)
ENVIRONMENT TEMPERATURE	-15 ~ 45°C
ENVIRONMENT HUMIDITY	≤95%RH



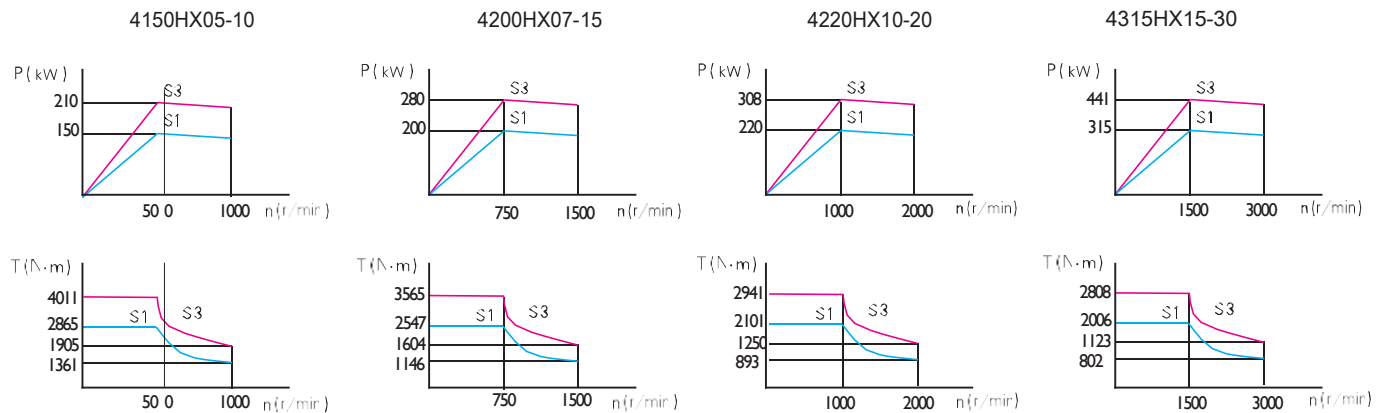


### Electrical Parameter

Voltage : 400V Pole : 12 Fan Power : 1.5kW Fan Voltage : 380V

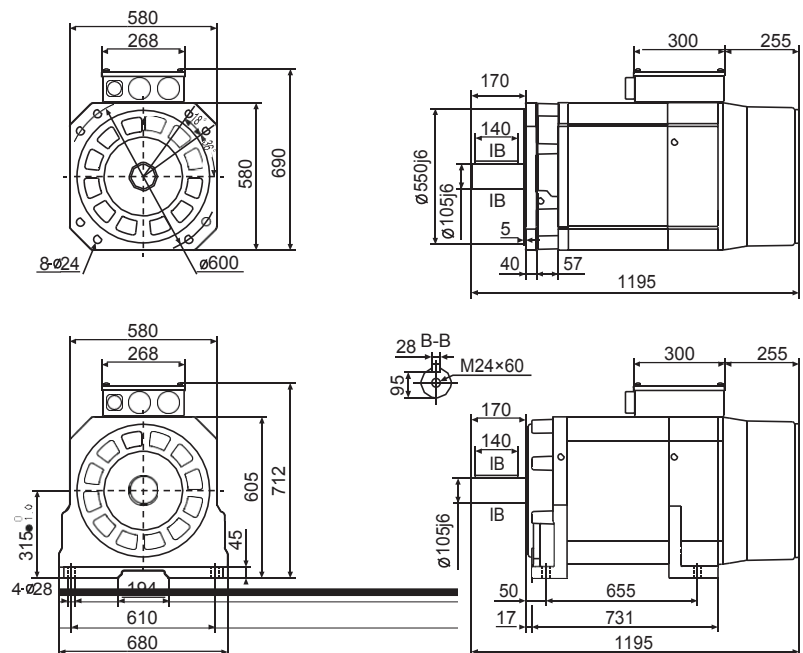
Motor model	Rated power (kW)	Rated torque (N·m)	Rated current (A)	Rated frequency (Hz)	Rated speed (r/min)	Maximum speed (r/min)	Anti-electromotive (V/krpm)	Rotational inertia (kg.m <sup>2</sup> )
P18-4150HX05-10XX	150	2865	278	50	500	1000	492	6.3421
P18-4200HX07-15XX	200	2547	350	75	750	1500	352	6.3421
P18-4220HX10-20XX	220	2101	425	100	1000	2000	246	6.3421
P18-4315HX15-30XX	315	2006	570	150	1500	3000	176	6.3421

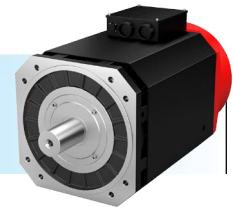
### Characteristic Curve



### Performance Index

ITEM	INDEX
ENCODER (OPTIONAL)	MG-256(MAGNETIC)
	CE9-23B(ABSOLUTE)
	RZ12-1024(RESOLVER)
	SC-2048(SIN-COS)
SHAFT TYPE	G:WITHOUT KEYSLOT
	J:WITH KEYSLOT
MOUNTING TYPE	B3 B5 B35
WEIGHT/GROSS WEIGHT	1220 / 1250kg
PROTECTION CLASS	IP55
INSULATION CLASS	F CLASS
RATED TEMPERATURE RISE	90K
VIBRATION CLASS	S
NOISE	≤70dB(A)
ENVIRONMENT TEMPERATURE	-15 ~ 45°C
ENVIRONMENT HUMIDITY	≤95%RH



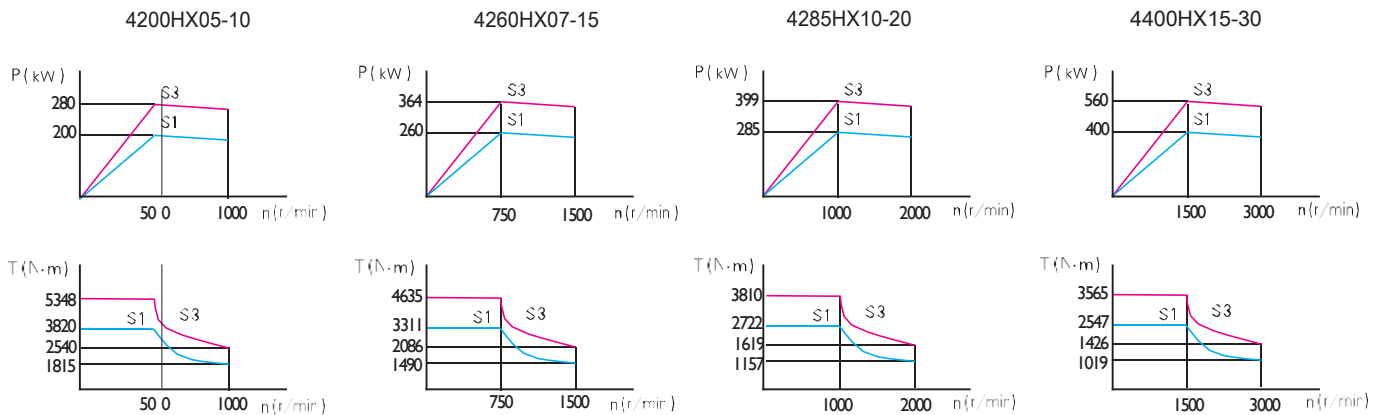


### ◆ Electrical Parameter

Voltage : 400V Pole : 12 Fan Power : 1.5kW Fan Voltage : 380V

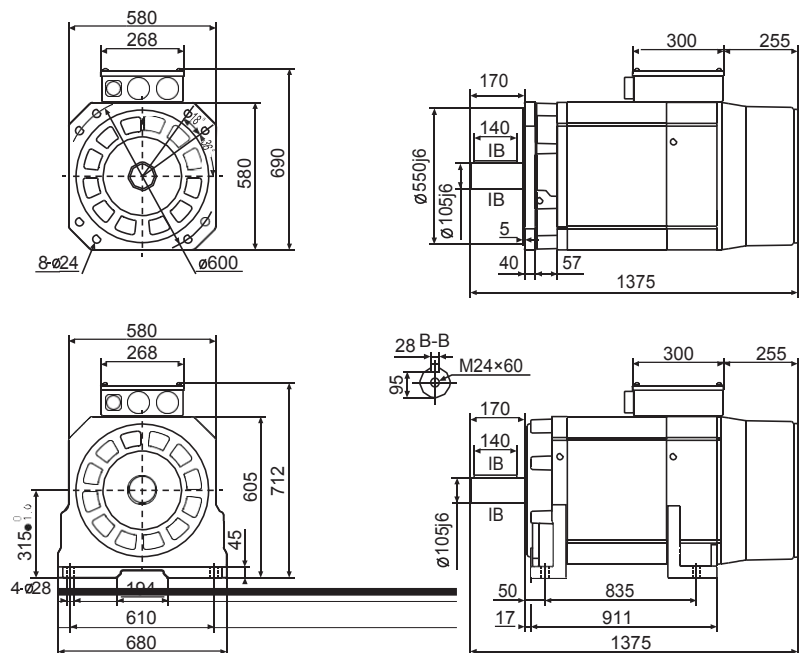
Motor model	Rated power (kW)	Rated torque (N·m)	Rated current (A)	Rated frequency (Hz)	Rated speed (r/min)	Maximum speed (r/min)	Anti-electromotive (V/krpm)	Rotational inertia (kg.m <sup>2</sup> )
P18-4200HX05-10XX	200	3820	345	50	500	1000	526	8.502
P18-4260HX07-15XX	260	3311	481	75	750	1500	335	8.502
P18-4285HX10-20XX	285	2722	568	100	1000	2000	239	8.502
P18-4400HX15-30XX	400	2547	671	150	1500	3000	191	8.502

### ◆ Characteristic Curve



### ◆ Performance Index

ITEM	INDEX
ENCODER (OPTIONAL)	MG-256(MAGNETIC)
	CE9-23B(ABSOLUTE)
	RZ12-1024(RESOLVER)
	SC-2048(SIN-COS)
SHAFT TYPE	G:WITHOUT KEYSLOT
	J:WITH KEYSLOT
MOUNTING TYPE	B3 B5 B35
WEIGHT/GROSS WEIGHT	1518 / 1548kg
PROTECTION CLASS	IP55
INSULATION CLASS	F CLASS
RATED TEMPERATURE RISE	90K
VIBRATION CLASS	S
NOISE	≤70dB(A)
ENVIRONMENT TEMPERATURE	-15 ~ 45°C
ENVIRONMENT HUMIDITY	≤95%RH



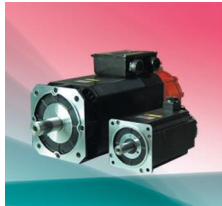
**GO BEYOND ONESELF  
KEEP PACE WITH THE WORLD**



OMIN SYSTEM

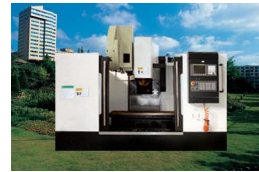


CTB SERVO



CTB MOTOR

**PROVIDE THE PERFECT MECHANICAL CONTROL COMBINATION**



**Beijing CTB Servo Co., Ltd**

Address : #9 Yunxi 6 Ave Development Zone

Miyun Dist Beijing China

Tel : +86 10-69076533

Fax : +86 10-69076577

Post Code : 101500

Email : [sales@ctbservo.com](mailto:sales@ctbservo.com) [http :](http://www.ctbservo.com)

[//www.ctbservo.com](http://www.ctbservo.com)

