

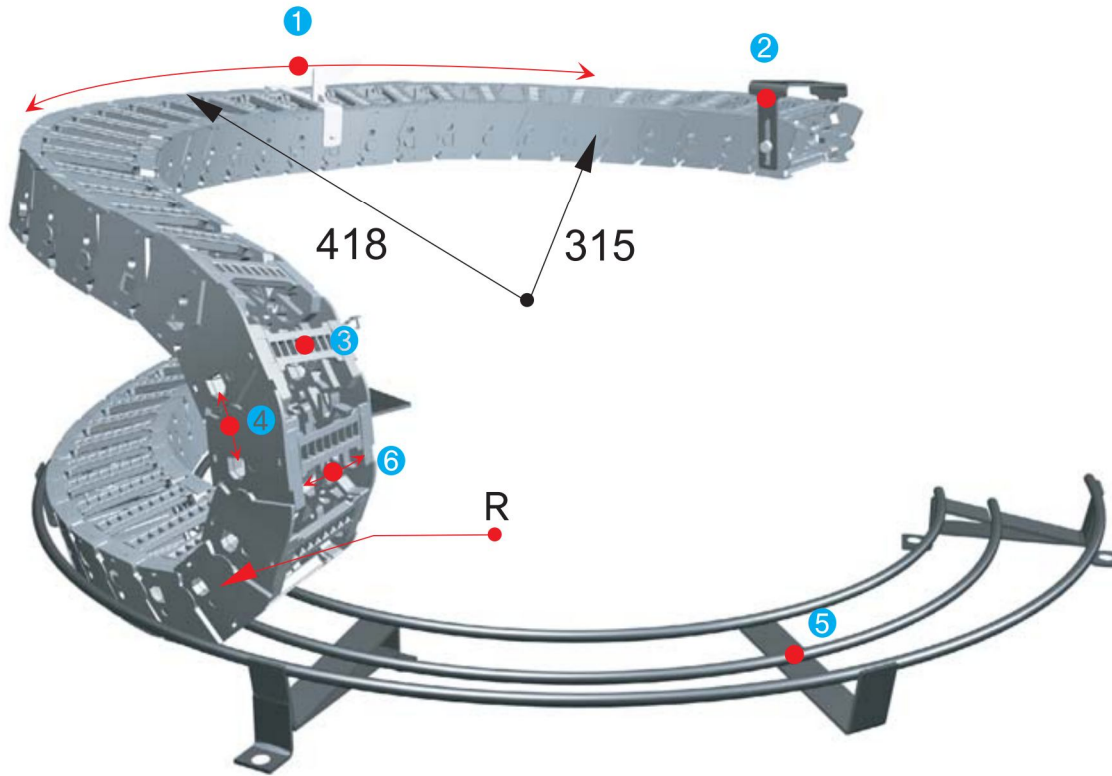
GENERAL CATALOGUE 2013

p330 ~ 337

Using Material of High Quality!

## HX 3553

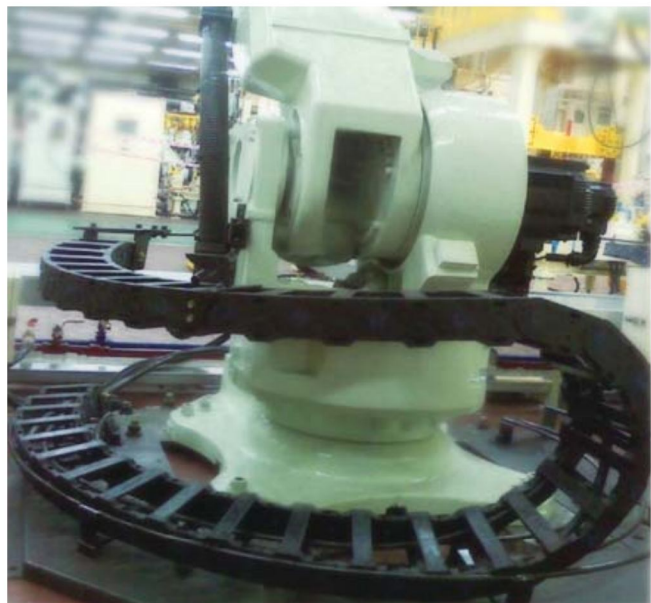
Low Dust & Low Noise Screw Type Chain.



### MATERIAL

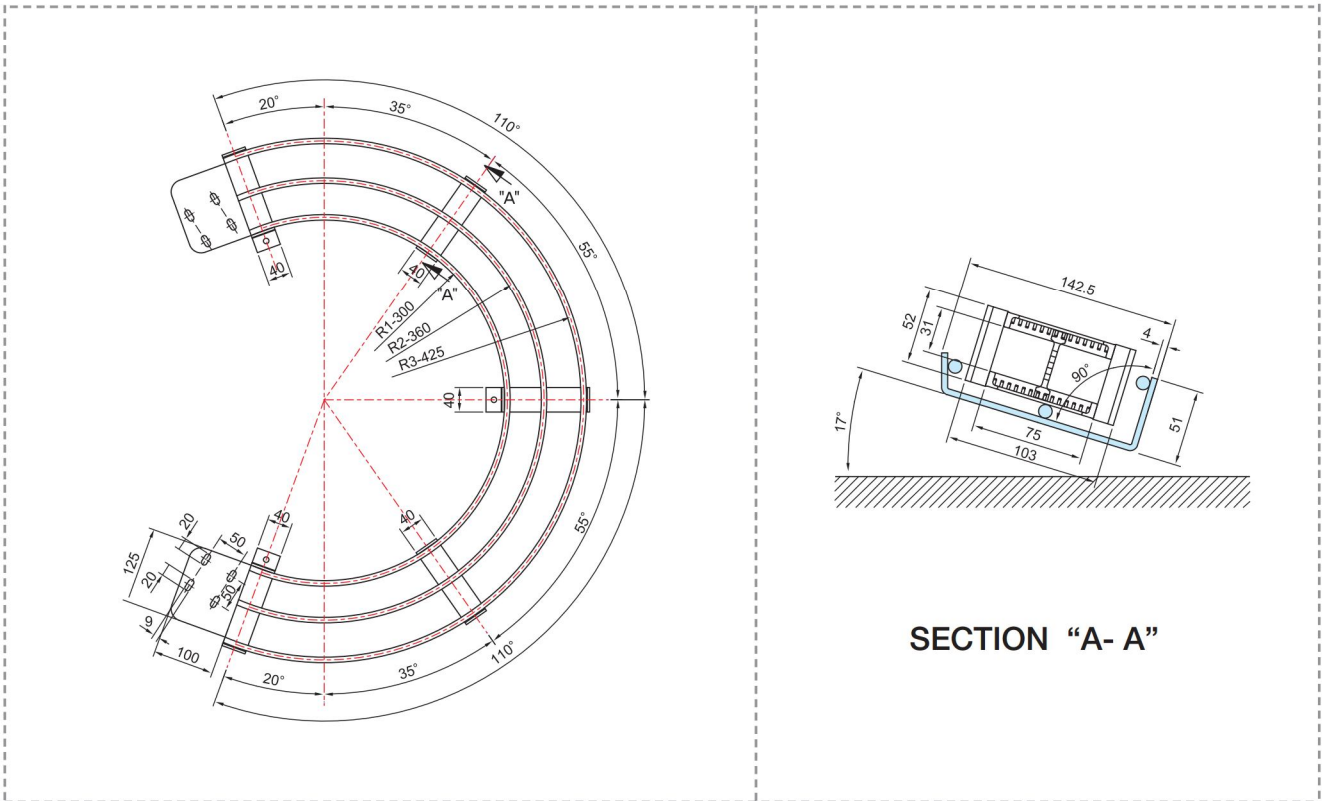
- ① For spiral motion up to 360°
- ② Steel End Bracket
- ③ Upside & Downside open frame
- ④ Pitch : 53mm
- ⑤ Guide channel
- ⑥ Chain inside width : 75mm
- **Applications** : Robot, Rotation Machine.
- **Bending Radius (R)**  
(Dimensions in mm)

Bending Radius (R)	
90	140



## GUIDE CHANNEL

# HX 3553



SECTION "A-A"

### Calculate the required Number of Links

**N:** Number of Links

**Or:** Outer Radius

**B:** Rotation angle

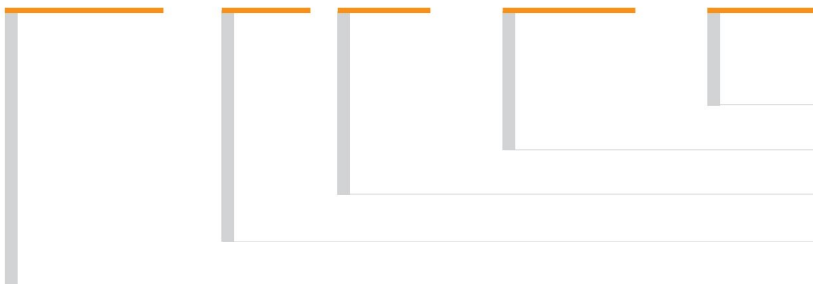
**P:** Chain pitch

**Lp:**  $\pi R + 6p$

$$N = \left( \frac{\pi \times Or \times B}{360^\circ \times P} \right) + \frac{Lp}{P}$$

## ORDERING (주문방법)

### HX3553 . 075 R90 - 1000L : 10ST

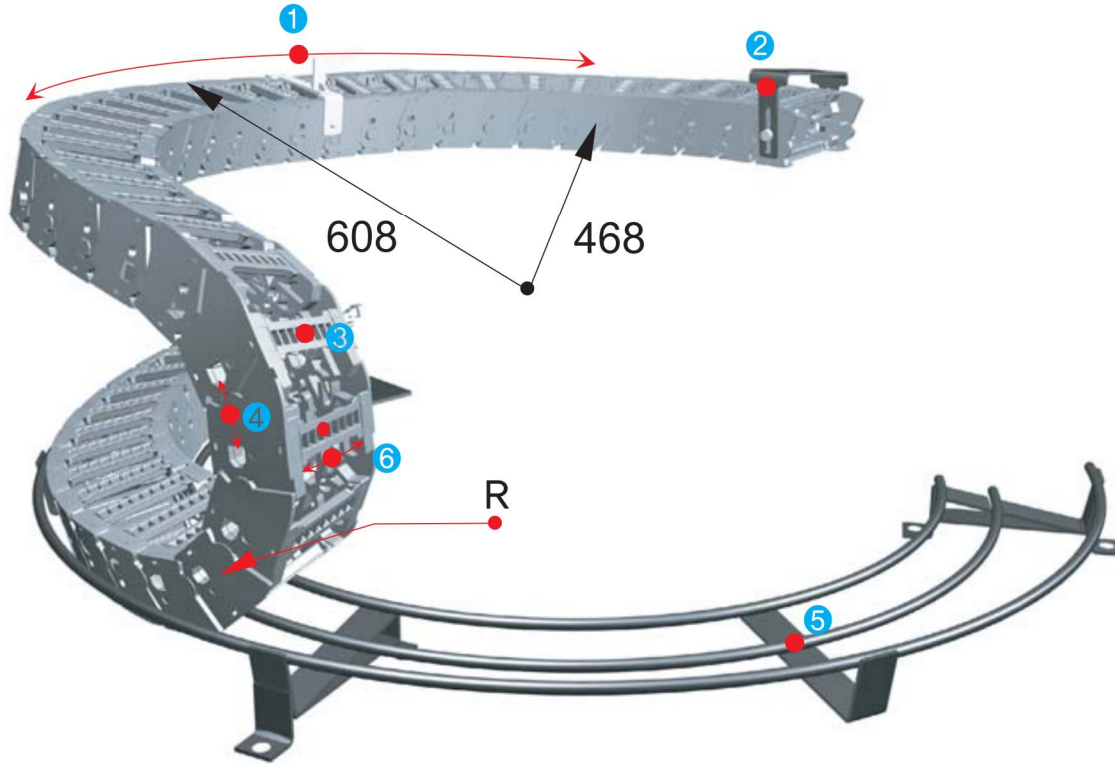


주문수량	Q' ty(set)
체인길이	Length(mm)
곡률반경	Bending Radius ( R )
내폭	Inside Width

## Helix Chain

## HX 6075

Low Dust & Low Noise Screw Type Chain



### MATERIAL

- ① For spiral motion up to 360°
- ② Steel End Bracket
- ③ Upside & Downside open frame
- ④ Pitch : 75mm
- ⑤ Guide channel
- ⑥ Chain inside width : 100mm

• **Applications :** Robot, Rotation Machine.

• **Bending Radius (R)**  
(Dimensions in mm)

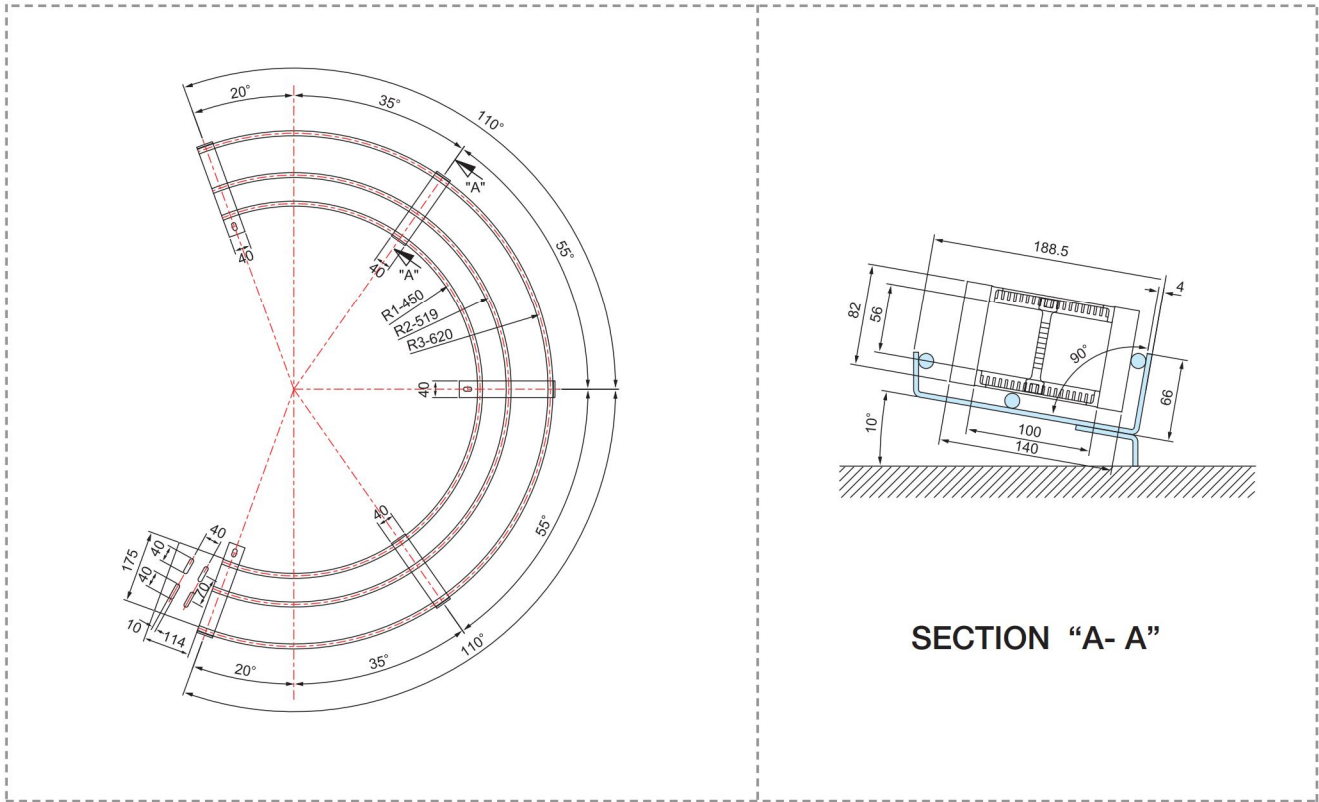
Bending Radius (R)			
110	135	185	235





## GUIDE CHANNEL

## HX 6075



### Calculate the required Number of Links

**N:** Number of Links

**Or:** Outer Radius

**B:** Rotation angle

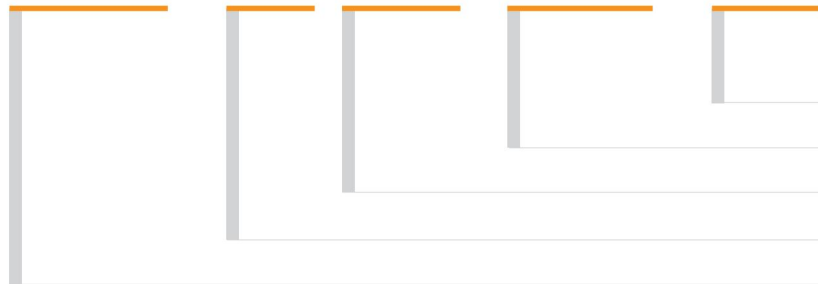
**P:** Chain pitch

**Lp:**  $\pi R + 6p$

$$N = \left( \frac{\pi \times Or \times B}{360^\circ \times P} \right) + \frac{Lp}{P}$$

## ORDERING (주문방법)

### HX6075 . 100 R110 -1000L : 10ST

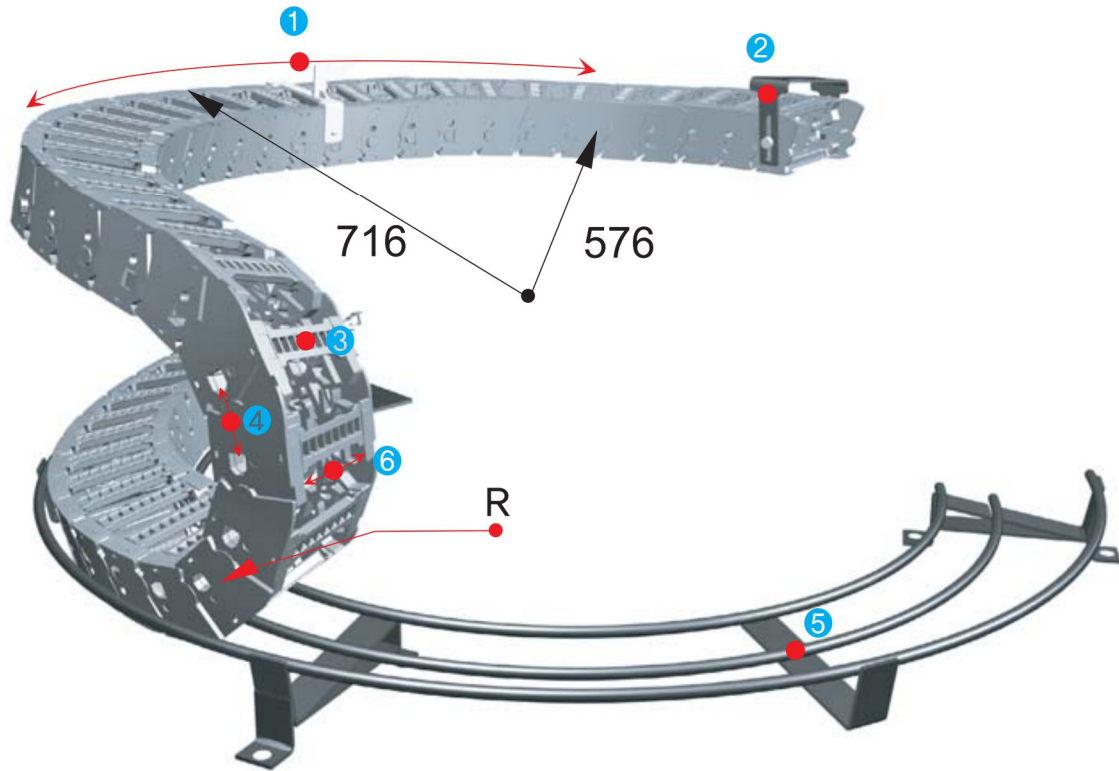


주문수량	Q' ty(set)
체인길이	Length(mm)
곡률반경	Bending Radius ( R )
내폭	Inside Width

## Helix Chain

## HX 6087

Low Dust & Low Noise Screw Type Chain



### MATERIAL

- ① For spiral motion up to 360°
- ② Steel End Bracket
- ③ Upside & Downside open frame
- ④ Pitch : 87mm
- ⑤ Guide channel
- ⑥ Chain inside width : 100mm

- **Applications :** Robot, Rotation Machine.

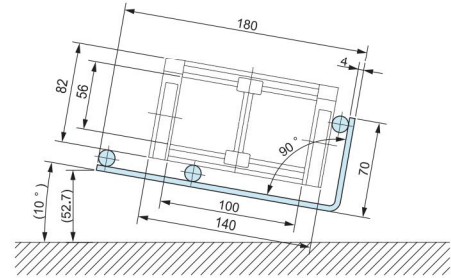
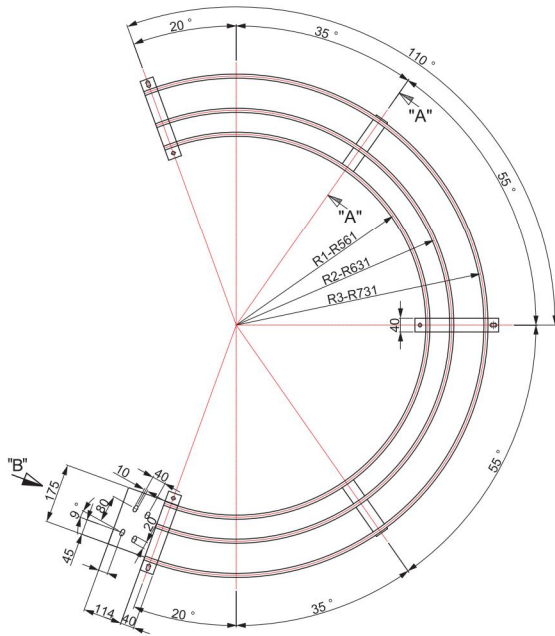
- **Bending Radius (R)** (Dimensions in mm)

Bending Radius (R)			
110	135	185	235



## GUIDE CHANNEL

# HX 6087



SECTION "A-A"

### ~ Calculate the required Number of Links

**N:** Number of Links

**Or:** Outer Radius

**B:** Rotation angle

**P:** Chain pitch

**Lp:**  $\pi R + 6p$

$$N = \left( \frac{\pi \times Or \times B}{360^\circ \times P} \right) + \frac{Lp}{P}$$

CPS plans to develop HX 6087

HX 6087 제품은 개발 예정 입니다.

## ORDERING (주문방법)

### HX6087 . 100 R110 -1000L : 10ST

주문수량	Q' ty(set)
체인길이	Length(mm)
곡률반경	Bending Radius ( R )
내폭	Inside Width

## Helix Chain