



GENERAL CATALOGUE 2013

p366 ~ 416

Using Material of High Quality!



RoHS Directive 2002/95/EC (유해물질 사용제한지침)

Raw materials for CPSFIX are toxic-free, and have passed the test by designated test institutes. In addition, CPS products have been produced according to the directive that Europe regulates.

CPSFIX의 사용재료는 지정시험소의 시험을 통과하였으며 무독성으로 유럽에서 규제하는 유해물질 사용제한 지침에 따라 생산하고 있습니다.



CPSFIX

Connectors

A CPSFIX can be applied in any area, since we are producing diverse forms.
 다양한 형태의 커넥터와 캐넌접속용 커넥터를 생산하므로 CPSFIX는 어떠한 환경에도 적용될수 있습니다.

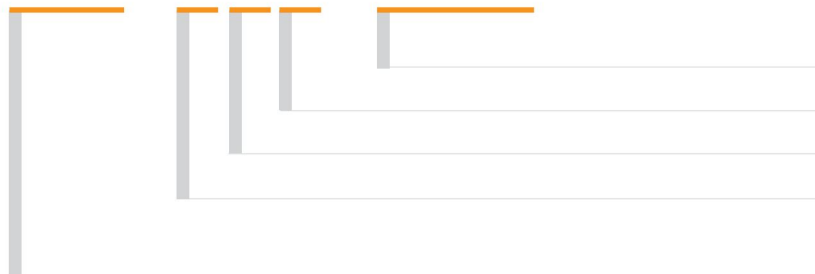
B We are fully equipped with diverse thread standard products, NPT, UNEF etc.
 CP SYSTEM은 PF, PG, M, NPT, UNEF등의 다양한 나사규격에 맞는 커넥터를 구비하고 있습니다.

C CPSFIX and CPSFLEX protect cables in crowded spaces.
 CPSFIX와 CPSFLEX는 복잡한 공간에서 케이블을 효율적으로 보호합니다.

D CPSFIX has excellent water proof qualities. It is applied to the overall industry, maintaining IP 67, when it combines with CPSFLEX.
 CPSFIX 는 뛰어난 방수성을 가지고 있어 CPSFLEX와 결합했을때 IP67을 유지하면서 산업 전반적으로 적용될 수 있습니다.

ORDERING (주문방법)

TNC - G10B : 100EA



주문수량 Q'ty(EA)
 컬러 Color B : Black G : Gray
 사이즈 Size
 THREAD
 G(PF)/inch, P/pg, N/NPTM/mm, U/UNEF
 타입 Type

TNC / TWC / TAC / TIS...

- ▶ Material: Polyamide6+G • F 33%
- ▶ Pull-out strength: > 68kg from size 16 with heavy - wall tubing
- ▶ 재질: 폴리아미드6



STANDARD APPLIED TO EACH CONNECTOR SCREWS

/ 커넥터 나사 규격별 적용관표

Thread		For tube size													
		07	10	12	16	21	22	28	36	42	48	56	70	95	
TNC	G 1/4"	●													
	G 1/2"		●	●	●										
	G 3/4"						●								
	G 1"							●							
	G 1 1/4"								●						
	G 1 1/2"										●				
	G 2"											●	●		
	G 2 1/2"													●	
	G 4"														●
	M 12×1.5	●	●												
	M 16×1.5	●	●	●	●										
	M 20×1.5	●	●	●	●										
	M 25×1.5			●			●								
	M 32×1.5						●	●							
	M 40×1.5							●	●						
	M 50×1.5								●			●			
	M 63×1.5										●				
	Pg 7	●	●												
	Pg 9	●	●	●											
	Pg 11	●	●	●											
	Pg 13.5	●	●	●	●										
	Pg 16		●	●	●			●							
	Pg 21							●							
Pg 29								●							
Pg 36									●						
Pg 48										●					
NPT 1/2"		●	●	●											
NPT 3/4"							●								
NPT 1"								●							
TNCC	G 1/2"	●	●	●			●								
	G 3/4"						●	●							
	G 1"							●							
	G 1 1/4"								●						
	G 2"										●				
	M 12×1.5	●	●												
	M 16×1.5	●	●	●	●										
	M 20×1.5		●	●											
	M 25×1.5						●								
	M 32×1.5						●	●							
	M 40×1.5							●							
	M 50×1.5										●				
	Pg 7	●	●												
	Pg 9	●	●	●											
	Pg 11	●	●	●				●							
	Pg 13.5	●	●	●	●			●							
	Pg 16		●	●				●							
	Pg 21							●							
	Pg 29								●						
	Pg 36									●					
Pg 48										●					
TICC	1/2-28 UNEF	●													
	5/8-24 UNEF	●	●												
	3/4-20 UNEF	●	●												
	1-20 UNEF		●	●											
	7/8-20 UNEF			●											
	1 3/16-18UNEF				●										
	1 7/16-18UNEF				●		●	●							
	1 3/4-18UNEF							●							
	2-18UNS								●	●					
TIS	M 8×1	●													
	M 12×1	●													
	M 18×1	●													
	M 30×1.5	●													

Thread		For tube size													
		07	10	12	16	21	22	28	36	42	48	56	70	95	
TWC	G 1/2"		●	●	●										
	G 3/4"							●							
	G 1"								●						
	G 1 1/4"									●	●				
	G 1 1/2"											●			
	G 2"												●		
	M 12×1.5	●	●												
	M 16×1.5			●											
	M 20×1.5				●	●									
	M 25×1.5							●							
	M 32×1.5								●						
	M 40×1.5										●				
	M 50×1.5											●			
	Pg 7	●													
	Pg 9	●	●												
	Pg 11	●	●	●											
	Pg 13.5	●	●	●	●										
	Pg 16			●	●			●							
	Pg 21								●						
	Pg 29									●					
Pg 36										●					
Pg 48											●				
TAC	G 1/2"		●	●	●										
	G 3/4"							●							
	G 1"								●						
	G 1 1/4"									●					
	G 1 1/2"										●				
	G 2"											●			
	M 12×1.5	●	●												
	M 16×1.5			●											
	M 20×1.5				●										
	M 25×1.5							●							
	M 32×1.5								●						
	M 40×1.5									●					
	M 50×1.5										●				
Pg 9	●														
Pg 11	●	●													
Pg 13.5	●	●	●												
Pg 16				●											
Pg 21							●								
Pg 29								●							
Pg 36									●						
Pg 48											●				
TIC	1/2-28 UNEF	●													
	5/8-24 UNEF	●	●												
	3/4-20 UNEF	●	●												
	1-20 UNEF		●	●											
	7/8-20 UNEF			●											
	1 3/16-18UNEF				●										
	1 3/8-8UNEF					●									
	1 7/16-18UNEF				●			●	●						
	2-18UNS								●	●	●				
	1 3/4-18UNEF									●					
	M 16×1.5				●										
M 25×1.5							●								
Pg 11				●											
Pg 13.5				●											
Pg 16									●						
Pg 21										●					



SHIFT CHAIN

SAEN CHAIN

FEEDLING CHAIN

HEX CHAIN

ROBOT KIT

OPSHLEX

OPSHLEX

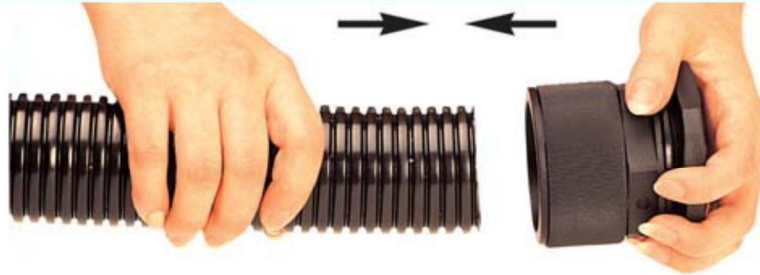
CPSFIX

Thread		For tube size												
		07	10	12	16	21	22	28	36	42	48	56	70	95
TNCL	G 1/2"		●	●	●									
	Pg 9		●	●										
	Pg 11			●										
	Pg 13.5				●									
	Pg 16		●		●									
	M 12×1.5		●	●										
	M 16×1.5		●	●	●									
	M 20×1.5		●	●	●									
	M 25×1.5				●									
TNCCCL	G 1/2"		●	●	●									
	Pg 9		●	●										
	Pg 11			●	●									
	Pg 13.5			●	●									
	Pg 16			●	●									
	M 12×1.5		●	●										
	M 16×1.5		●	●	●									
	M 20×1.5			●	●									
	M 25×1.5				●									
TWCL	G 1/2"		●	●	●									
	Pg 9		●											
	Pg 11		●	●										
	Pg 13.5		●	●	●									
	Pg 16			●	●									
	M 12×1.5		●											
	M 16×1.5			●										
	M 20×1.5				●	●								
TACL	G 1/2"		●	●	●									
	Pg 9		●											
	Pg 11		●	●										
	Pg 13.5		●		●									
	Pg 16				●									
	M 12×1.5		●											
TIPC	G 1/2"				●									
	G 3/4"					●								
	G 1"						●							
	G 1 1/4"							●						
	G 1 1/2"								●					
	G 2"									●				
SNIC	Pg 9		●											
	Pg 11			●										
	Pg 13.5			●	●									
	Pg 16				●									
	Pg 21					●								
	Pg 29						●							
	Pg 36							●						
	Pg 48								●					
	M 12×1.5		●											
	M 16×1.5			●										
	M 20×1.5				●									
SICC	1/2-28 UNEF			●										
	5/8-24 UNEF			●	●									
	3/4-20 UNEF			●	●									
	1-20 UNEF				●									
	7/8-20 UNEF				●	●								
	1 3/16-18 UNEF					●								
	1 3/8-18 UNEF						●							
	1 7/16-18 UNEF							●		●	●			
	1 3/4-18 UNEF								●		●	●		
	2-18 UNS										●	●	●	

Thread		For tube size													
		07	10	12	16	21	22	28	36	42	48	56	70	95	
SNC	Pg 9		●												
	Pg 11			●											
	Pg 13.5			●	●										
	Pg 16				●										
	Pg 21					●									
	Pg 29						●								
	Pg 36							●							
	Pg 48								●						
	M 12×1.5		●												
	M 16×1.5			●											
	M 20×1.5				●										
SWC	Pg 7		●												
	Pg 9		●												
	Pg 11			●											
	Pg 13.5				●										
	Pg 16				●										
	Pg 21					●									
	Pg 29						●								
	Pg 36							●							
	Pg 48								●						
	M 12×1.5		●	●											
	M 16×1.5			●											
SAC	Pg 9		●												
	Pg 11			●											
	Pg 13.5			●	●										
	Pg 16				●										
	Pg 21					●									
	Pg 29						●								
	Pg 36							●							
	Pg 48								●						
	M 12×1.5		●												
	M 16×1.5			●											
	M 20×1.5				●										

ASSEMBLY PROCEDURE / CONNECTORS

1



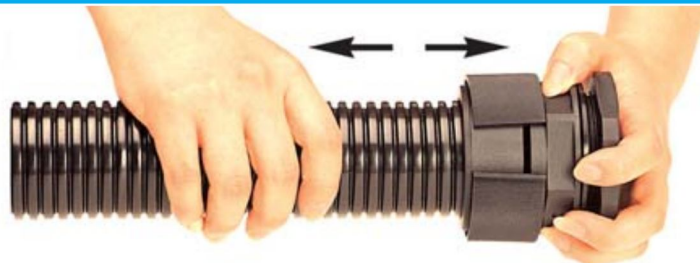
The flexible tube and the connector can be simply assembled or removed without any tool.
튜브와 커넥터결합시 간단하게 원터치방식으로 쉽게 결합이 가능하며 별도의 작업공구가 필요치 않다.

2



When the flexible tube and the connector are connected perfectly, they are approved as IP67 (waterproof upto 1m deep). That means they can perfectly protect cables from foreign articles.
튜브와 커넥터결합 완료시 방수등급 IP67(수심1M까지 방수)로 외부 이물질의 완벽한 차단으로 케이블을 보호할 수 있다.

3

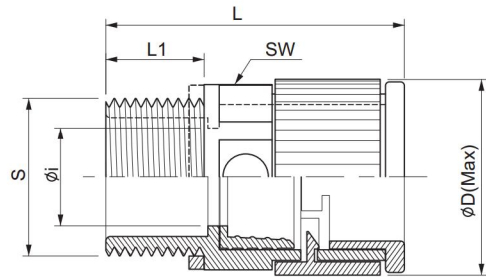


When removed, push the flexible tube towards the connector to widen the cover. Twist the cover 90° to the left and pull the flexible tube.
튜브와 커넥터의 분리시 튜브를 커넥터쪽으로 밀면 커버가 벌어지며 커버를 왼쪽으로 90° 정도 돌려 튜브를 당기면 간단하게 분리가 가능하다.

TNC IP66



Black
 Gray



G(PF) M Pg NPT

- Material: High Quality Polyamide6
- Protective: IP 67 (EN 60529)
- Temperature Range: -40° C to + 105° C
- Short Term: up to +150° C
- Self-Extinguishing: UL94-HB
Free of Halogen Phosphorous and cadmium
- Color: Black & Gray
- Application: Machine tool, Shipbuilding, Tramway
Industrial / Automatic Machinery
Printing Machine etc. Joint box with connector
- Certification:

- 재 질 : 고품질 폴리아미드6
- 방 수 등 급 : IP 67 (EN 60529)
- 적용온도범위 : -40° C + 105° C
- 순간최대온도 : up +150° C
- 자기소화성 : UL94-HB
Free of Halogen Phosphorous and cadmium
- 색 상 : 검정색, 회색
- 적 용 : 공작기계, 산업기계, 자동화기계
조선소, 전동차등 컨트롤박스에
결합하기 위한 장소에 사용됨.
- 국 제 인 증 :





PF Thread (JIS B0204)

(dimensions in mm)

Order No.									
Black	Gray	Thread PF	For tube size	S	L1	L	Øi	ØD	SW
TNC-G07B	TNC-G07G	G1/4"	07	13.1	11	32.6	8	25	14.2
TNC-G10B	TNC-G10G	G1/2"	10	20.9	13	40	10	25	19.8
TNC-G12B	TNC-G12G	G1/2"	12	20.9	13	40	13	25	22.7
TNC-G16B	TNC-G16G	G1/2"	16	20.9	13	41	14	30	28
TNC-G22B	TNC-G22G	G3/4"	22	26.4	15	49	19	41	37.5
TNC-G28B	TNC-G28G	G1"	28	33.2	15	53	24	47	43
TNC-G36B	TNC-G36G	G1 1/4"	36	41.9	19	65	33	56	52.2
TNC-G42B	TNC-G42G	G1 1/2"	48	47.8	21	72	39	68	64.1
TNC-G48B	TNC-G48G	G2"	48	59.6	21	72	48	68	64.1

Metric Thread (EN 60423)

(dimensions in mm)

Order No.									
Black	Gray	Thread PF	For tube size	S	L ₁	L	Ø _i	Ø _D	SW
TNC-M107B	TNC-M107G	M12 X 1.5	07	12	11	33	8.5	17	14.2
TNC-M127B	TNC-M127G	M16 X 1.5	07	16	11	33	8.5	25	14.2
TNC-M167B	TNC-M167G	M20 X 1.5	07	20	11	33	8.5	25	14.2
TNC-M10B	TNC-M10G	M12 X 1.5	10	12	13	40	7.5	25	19.8
TNC-M120B	TNC-M120G	M16 X 1.5	10	16	13	40	10	25	19.8
TNC-M20B	TNC-M20G	M20 X 1.5	10	20	13	40	10	25	19.8
TNC-M102B	TNC-M102G	M12 X 1.5	12	12	13	40	7.5	25	22.7
TNC-M12B	TNC-M12G	M16 X 1.5	12	16	13	40	11	25	22.7
TNC-M202B	TNC-M202G	M20 X 1.5	12	20	13	40	13	25	22.7
TNC-M126B	TNC-M126G	M16 X 1.5	16	16	13	41	11.5	30	28
TNC-M16B	TNC-M16G	M20 X 1.5	16	20	13	41	14	30	28
TNC-M226B	TNC-M226G	M25 X 1.5	16	25	13	41	14	30	28
TNC-M22B	TNC-M22G	M25 X 1.5	22	25	15	49	18.5	41	37.5
TNC-M3222B	TNC-M3222G	M32 X 1.5	22	32	15	49	20	41	37.5
TNC-M28B	TNC-M28G	M32 X 1.5	28	32	15	53	25	47	43
TNC-M4028B	TNC-M4028G	M40 X 1.5	28	40	15	53	27	47	43
TNC-M36B	TNC-M36G	M40 X 1.5	36	40	19	65	32	56	52.2
TNC-M5036B	TNC-M5036G	M50 X 1.5	36	50	19	65	34	56	52.2
TNC-M48B	TNC-M48G	M50 X 1.5	48	50	21	72	42	68	64.1
TNC-M6348B	TNC-M6348G	M63 X 1.5	48	63	21	72	48	68	64.1

Pg Thread (DIN40430)

TNC-P077B	TNC-P077G	Pg 07	07	12.5	11	33	8	17	14.2
TNC-P097B	TNC-P097G	Pg 09	07	15.2	13	35	8.5	25	14.2
TNC-P117B	TNC-P117G	Pg 11	07	18.6	13	35	8.5	25	14.2
TNC-P137B	TNC-P137G	Pg 13.5	07	20.4	13	35	8.5	25	14.2
TNC-P070B	TNC-P070G	Pg 07	10	12.5	13	40	8	25	19.8
TNC-P09B	TNC-P09G	Pg 09	10	15.2	13	40	10	25	19.8
TNC-P110B	TNC-P110G	Pg 11	10	18.6	13	40	10	25	19.8
TNC-P130B	TNC-P130G	Pg 13.5	10	20.4	13	40	10	25	19.8
TNC-P160B	TNC-P160G	Pg 16	10	22.5	13	40	10	25	19.8
TNC-P0912B	TNC-P0912G	Pg 09	12	15.2	13	40	10	25	22.7
TNC-P11B	TNC-P11G	Pg 11	12	18.6	13	40	12.5	25	22.7
TNC-P132B	TNC-P132G	Pg 13.5	12	20.4	13	40	13	25	22.7
TNC-P162B	TNC-P162G	Pg 16	12	22.5	13	40	13	25	22.7
TNC-P136B	TNC-P136G	Pg13.5	16	20.4	13	41	14	30	28
TNC-P16B	TNC-P16G	Pg 16	16	22.5	13	41	14	30	28
TNC-P216B	TNC-P216G	Pg 21	16	28.3	13	41	14	30	28
TNC-P163B	TNC-P163G	Pg 16	22	22.5	13	49	16	41	37.5
TNC-P21B	TNC-P21G	Pg 21	22	28.3	15	49	19	41	37.5
TNC-P29B	TNC-P29G	Pg 29	28	37	15	53	27	47	43
TNC-P36B	TNC-P36G	Pg 36	36	47	19	65	34	56	52.2
TNC-P48B	TNC-P48G	Pg 48	48	59.3	21	72	49	68	64.1

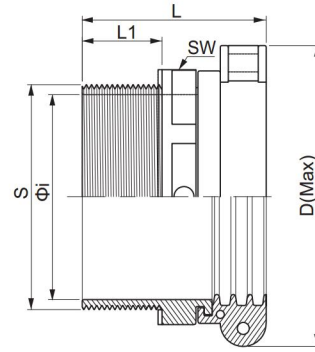
NPT Thread (ANSI/ASME-B1201)

TNC-N10B	TNC-N10G	NPT 1/2"	10	21.2	13	40	10	25	19.8
TNC-N12B	TNC-N12G	NPT 1/2"	12	21.2	13	40	13	25	22.7
TNC-N16B	TNC-N16G	NPT 1/2"	16	21.2	13	41	14	30	28
TNC-N22B	TNC-N22G	NPT 3/4"	22	26.5	15	49	19	41	37.5
TNC-N28B	TNC-N28G	NPT 1"	28	33.2	15	55	24	47	43

TNC IP67



Black
 Gray



- Material: High Quality Polyamide 6
- Protective: IP 66 (EN 60529)
- Temperature Range: -40° C to + 105° C
- Short Term: up to +150° C
- Self-Extinguishing: UL94-HB
- Free of Halogen Phosphorous and cadmium
- Color: Black & Gray
- Application: Machine tool, Shipbuilding, Tramway
Industrial / Automatic Machinery
Printing Machine etc. Joint box with connector

- 재 질 : 고품질 폴리아미드 6
- 방 수 등 급 : IP 66 (EN 60529)
- 적용온도범위 : -40° C + 105° C
- 순간최대온도 : up +150° C
- 자기소화성 : UL94-HB
- Free of Halogen Phosphorous and cadmium
- 색 상 : 검정색, 회색
- 적 용 : 공작기계, 산업기계, 자동화기계
조선소, 전동차등 컨트롤박스에
결합하기 위한 장소에 사용됨.

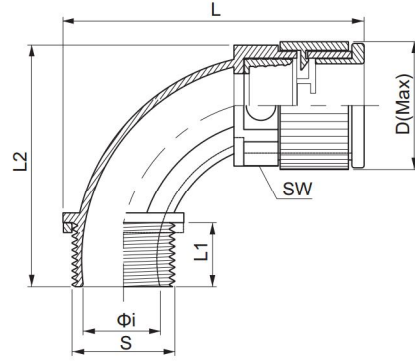
PF Thread (JIS B0204)

(dimensions in mm)

Order No.									
Black	Gray	Thread	For tube size	S	L ₁	L	Ø _i	Ø _b	SW
TNC-G56B	TNC-G56G	G2"	56	59.6	24	64.3	46	93	78
TNC-G70B	TNC-G70G	G2 1/2"	70	75.1	30	75.2	64	121	94.5
TNC-G95B	TNC-G95G	G4"	95	113	40	92.2	96	151	118.5



TWC IP67



Black
Gray

G(PF) M Pg

- Material: High Quality Polyamide6
- Protective: IP 67 (EN 60529)
- Temperature Range: -40° C to + 105° C
- Short Term: up to +150° C
- Self-Extinguishing: UL94-HB
- Color: Black & Gray
- Application: Machine tool, Shipbuilding, Tramway Industrial / Automatic Machinery Printing Machine etc. Joint box with connector
- Certification:

- 재 질 : 고품질 폴리아미드6
- 방 수 등 급 : IP 67 (EN 60529)
- 적용온도범위 : -40° C + 105° C
- 순간최대온도 : up +150° C
- 자기소화성 : UL94-HB
- 색 상 : 검정색, 회색
- 적 용 : 공작기계, 산업기계, 자동화기계 조선소, 전동차등 컨트롤박스에 결합하기 위한 장소에 사용됨.
- 국 제 인 증 :

PF Thread (JIS B0204)

(dimensions in mm)

Order No.										
Black	Gray	Thread PF	For tube size	S	L ₁	L ₂	L	Ø _i	Ø _D	SW
TWC-G10B	TWC-G10G	G1/2"	10	20.9	13	51	62	10	25	19.8
TWC-G12B	TWC-G12G	G1/2"	12	20.9	13	51	60	12	25	22.7
TWC-G16B	TWC-G16G	G1/2"	16	20.9	13	59	66	13	30	28
TWC-G22B	TWC-G22G	G3/4"	22	26.4	15	67	81	18	41	37.5
TWC-G28B	TWC-G28G	G1"	28	33.2	15	75	96	25	47	43
TWC-G368B	TWC-G368G	G1 1/4"	28	41.9	15	75	96	26	47	43
TWC-G36B	TWC-G36G	G1 1/4"	36	41.9	19	95	119	32	56	52.2
TWC-G42B	TWC-G42G	G1 1/2"	48	47.8	19	110	141	37	68	64.1
TWC-G48B	TWC-G48G	G2"	48	59.6	19	110	141	43	68	64.1

M Thread (EN 60423)

(dimensions in mm)

Order No.											
Black	Gray	Thread PF	For tube size	S	L ₁	L ₂	L	Ø _i	Ø _D	SW	
TWC-M107B	TWC-M107G	M12 X 1.5	07	12	11	31	41	7	17	14.2	
TWC-M10B	TWC-M10G	M12 X 1.5	10	12	13	51	62	7	25	19.8	
TWC-M12B	TWC-M12G	M16 X 1.5	12	16	13	51	60	10	25	22.7	
TWC-M202B	TWC-M202G	M20 X 1.5	12	20	13	51	60	12	25	22.7	
TWC-M16B	TWC-M16G	M20 X 1.5	16	20	13	59	66	13	30	28	
TWC-M22B	TWC-M22G	M25 X 1.5	22	25	15	67	81	17	41	37.5	
TWC-M28B	TWC-M28G	M32 X 1.5	28	32	15	75	96	24	47	43	
TWC-M36B	TWC-M3G	M40 X 1.5	36	40	19	95	119	32	56	52.2	
TWC-M48B	TWC-M48G	M50 X 1.5	48	50	19	110	141	42	68	64.1	

Pg Thread (DIN40430)

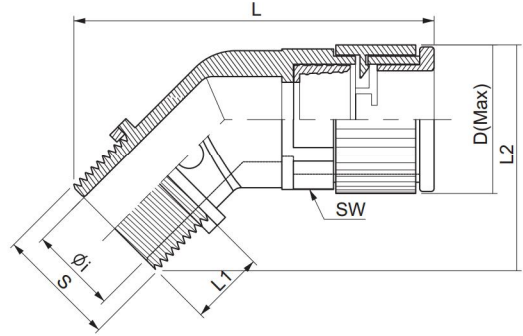
TWC-P077B	TWC-P077G	Pg07	07	12.5	11	31	41	7	17	14.2
TWC-P097B	TWC-P097G	Pg09	07	15.2	11	31	41	7	17	14.2
TWC-P09B	TWC-P09G	Pg09	10	15.2	13	51	62	9	25	19.8
TWC-P110B	TWC-P110G	Pg11	10	18.6	13	51	62	10	25	19.8
TWC-P130B	TWC-P13G	Pg13.5	10	20.4	13	51	62	10	25	19.8
TWC-P11B	TWC-P11G	Pg11	12	18.6	13	51	60	10	25	22.7
TWC-P132B	TWC-P132G	Pg13.5	12	20.4	13	51	60	12	25	22.7
TWC-P162B	TWC-P162G	Pg16	12	22.5	13	51	60	12	25	22.7
TWC-P136B	TWC-P136G	Pg13.5	16	20.4	13	59	66	13	30	28
TWC-P16B	TWC-P16G	Pg16	16	22.5	13	59	66	13	30	28
TWC-P163B	TWC-P163G	Pg16	22	22.5	15	67	81	15	41	37.5
TWC-P21B	TWC-P21G	Pg21	22	28.3	15	67	81	19	41	37.5
TWC-P29B	TWC-P29G	Pg29	28	37	15	75	96	26	47	43
TWC-P36B	TWC-P36G	Pg36	36	47	19	95	119	32	56	52.2
TWC-P48B	TWC-P48G	Pg48	48	59.3	19	110	141	43	68	64.1



TAC IP67



Black
Gray



● G(PF) ● M ● Pg

- Material: High Quality Polyamide6
- Protective: IP 67 (EN 60529)
- Temperature Range: -40° C to + 105° C
- Short Term: up to +150° C
- Self-Extinguishing: UL94-HB
- Color: Free of Halogen Phosphorous and cadmium
Black & Gray
- Application: Machine tool, Shipbuilding, Tramway
Industrial / Automatic Machinery
Printing Machine etc..Joint box with connector
- Certification:

- 재 질 : 고품질 폴리아미드6
- 방 수 등 급 : IP 67 (EN 60529)
- 적용온도범위 : -40° C + 105° C
- 순간최대온도 : up +150° C
- 자기소화성 : UL94-HB
- 색 상 : 검정색, 회색
Free of Halogen Phosphorous and cadmium
- 적 용 : 공작기계, 산업기계, 자동화기계
조선소, 전동차등 컨트롤박스에
결합하기 위한 장소에 사용됨.
- 국 제 인 증 :

PF Thread (JIS B0204)

(dimensions in mm)

Order No.										
Black	Gray	Thread PF	For tube size	S	L ₁	L ₂	L	Ø _i	Ø _b	SW
TAC-G10B	TAC-G10G	G1/2"	10	20.9	13	35.4	59	10	25	19.8
TAC-G12B	TAC-G12G	G1/2"	12	20.9	13	38.4	62	12	25	22.7
TAC-G16B	TAC-G16G	G1/2"	16	20.9	13	43.4	64	13	30	28
TAC-G22B	TAC-G22G	G3/4"	22	26.4	15	55.4	79	16	41	37.5
TAC-G28B	TAC-G28G	G1"	28	33.2	15	60.5	90	23	47	43
TAC-G36B	TAC-G36G	G1 1/4"	36	41.9	20	73.3	102	32	56	52.2
TAC-G42B	TAC-G42G	G1 1/2"	48	47.8	20	82.5	123	38	68	64.1
TAC-G48B	TAC-G48G	G2"	48	59.6	20	90.7	123	49	68	64.1

Metric Thread (EN 60423)

(dimensions in mm)

Order No.										
Black	Gray	Thread PF	For tube size	S	L ₁	L ₂	L	Ø _i	Ø _d	SW
TAC-M10B	TAC-M10G	M12 X 1.5	10	12	13	32.2	56	6	25	19.8
TAC-M12B	TAC-M12G	M16 X 1.5	12	16	13	36.9	60	9	25	22.7
TAC-M202B	TAC-M202G	M20 X 1.5	12	20	13	36.9	60	12	25	22.7
TAC-M16B	TAC-M16G	M20 X 1.5	16	20	13	43	65	13	30	28
TAC-M22B	TAC-M22G	M25 X 1.5	22	25	15	54.9	78	17	41	37.5
TAC-M28B	TAC-M28G	M32 X 1.5	28	32	15	59.8	90	23	47	43
TAC-M36B	TAC-M36G	M40 X 1.5	36	40	20	72.6	102	32	56	52.2
TAC-M48B	TAC-M48G	M50 X 1.5	48	50	20	87	123	42	68	64.1

Pg Thread (DIN40430)

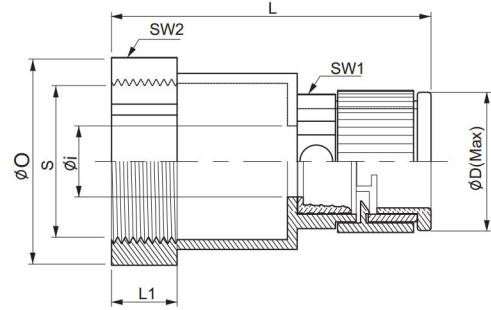
TAC-P09B	TAC-P09G	Pg09	10	15.2	13	33.4	60	9	25	19.8
TAC-P110B	TAC-P110G	Pg11	10	18.6	13	34.4	60	9	25	19.8
TAC-P130B	TAC-P130G	Pg13.5	10	20.4	13	35	60	9	25	19.8
TAC-P11B	TAC-P11G	Pg11	12	18.6	13	37.7	66	9	25	19.8
TAC-P136B	TAC-P136G	Pg13.5	16	20.4	13	43.2	66	13	30	28
TAC-P16B	TAC-P16G	Pg16	16	22.5	13	44	66	13	30	28
TAC-P21B	TAC-P21G	Pg21	22	28.3	15	56	80	19	41	37.5
TAC-P29B	TAC-P29G	Pg29	28	37	15	61.5	90	26	47	43
TAC-P36B	TAC-P36G	Pg36	36	47	20	75	102	32	56	52.2
TAC-P48B	TAC-P48G	Pg48	48	59.3	20	90.4	123	48	68	64.1



TIC IP67



■ Black
■ Gray



□ UNEF □ M □ Pg

- Material: High Quality Polyamide6
- Protective: IP 67 (EN 60529)
- Temperature Range: -40°C to + 105°C
- Short Term: up to +150°C
- Self-Extinguishing: UL94-HB
Free of Halogen Phosphorous and cadmium
- Color: Black & Gray
- Application: Machine tool, Shipbuilding, Tramway
Industrial / Automatic Machinery
Printing Machine etc. Joint box with connector
- Certification:

- 재 질 : 고품질 폴리아미드6
- 방 수 등 급 : IP 67 (EN 60529)
- 적용온도범위 : -40°C + 105°C
- 순간최대온도 : up +150°C
- 자기소화성 : UL94-HB
Free of Halogen Phosphorous and cadmium
- 색 상 : 검정색, 회색
- 적 용 : 공작기계, 산업기계, 자동화기계
조선소, 전동차등 캐논커넥터에
결합하기 위한 장소에 사용됨 .
- 국 제 인 증 :

PF Thread (JIS B0204)

(dimensions in mm)

Order No.											
Black	Gray	Thread	For tube size	Sheet Size	L ₁	L	Ø _i	Ø _o	Ø _D	SW	
TIC-U1010B	TIC-U1010G	1/2-28UNEF	10	8S, 10S	10	41	9	18.4	25	20.3	
TIC-U1210B	TIC-U1210G	5/8-24UNEF	10	10SL, 12S	10	41	9	20.6	25	20.3	
TIC-U1410B	TIC-U1410G	3/4-20UNEF	10	14, 14S	10	41	9	24	25	20.3	
TIC-U1212B	TIC-U1212G	5/8-24UNEF	12	10SL, 12S	10	40.7	11	20.6	25	22.7	
TIC-U1412B	TIC-U1412G	3/4-20UNEF	12	14, 14S	10	40.7	11	24	25	22.7	
TIC-U1812B	TIC-U1812G	1-20UNEF	12	18	10	40.7	11	31	25	22.7	
TIC-U1616B	TIC-U1616G	7/8-20UNEF	16	16, 16S	10	42.5	13	28	30	27.7	
TIC-U1816B	TIC-U1816G	1-20UNEF	16	18	10	42.5	13	31	30	27.7	
TIC-U2016B	TIC-U2016G	1 3/16-18UNEF	16	20, 22	10	42.5	13	35.5	30	27.7	
TIC-U2316B	TIC-U2316G	1 3/8-8UNEF	16	20, 22	10	42.5	13	40	30	27.7	
TIC-U2816B	TIC-U2816G	1 7/16-18UNEF	16	24, 28	10	42.5	13	42	30	27.7	
TIC-U2222B	TIC-U2222G	1 3/16-18UNEF	22	20, 22	10	48.7	18	35.5	41	36.9	
TIC-U2822B	TIC-U2822G	1 7/16-18UNEF	22	24, 28	10	48.7	18	42	41	36.9	
TIC-U3622B	TIC-U3622G	2-18UNS	22	36	10	48.7	18	56.5	41	36.9	
TIC-U2828B	TIC-U2828G	1 7/16-18UNEF	28	24, 28	10	54	25	42	47	43	
TIC-U3228B	TIC-U3228G	1 3/4-18UNS	28	32	10	54	25	50	47	43	
TIC-U3628B	TIC-U3628G	2-18UNS	28	36	10	54	25	56.5	47	43	
TIC-U3636B	TIC-U3636G	2-18UNS	36	36	10	61	32	56.5	56	52.2	

Metric Thread (EN 60423)

(dimensions in mm)

Order No.									
Black	Gray	Thread	For tube size	L ₁	L	Ø _i	Ø _o	Ø _D	SW
TIC-M12B	TIC-M12G	M16 X 1.5	12	14	40.7	11	20.6	25	22.7
TIC-M226B	TIC-M226G	M25 X 1.5	16	14	42.5	13	35.5	30	27.7

Pg Thread (DIN40424)

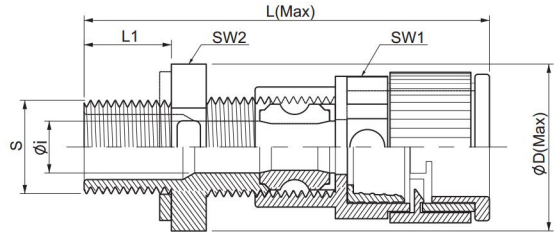
TIC-P11B	TIC-P11G	Pg11	12	14	40.7	11	20.6	25	22.7
TIC-P132B	TIC-P132G	Pg13.5	12	14	40.7	11	24	25	22.7
TIC-P16B	TIC-P16G	Pg16	16	14	42.5	13	28	30	27.7
TIC-P21B	TIC-P21G	Pg21	22	15	54	13	35.5	41	36.9



TNCC IP67



■ Black
■ Gray



● G(PF) ● M ● Pg

- Material: High Quality Polyamide6
- Protective: IP 67 (EN 60529)
- Temperature Range: -40° C to + 105° C
- Short Term: up to +150° C
- Self-Extinguishing: UL94-HB
- Color: Free of Halogen Phosphorous and cadmium
Black & Gray
- Application: Machine tool, Shipbuilding, Tramway
Industrial / Automatic Machinery
Printing Machine etc. Connector to avoid the cut-off of the cable in the machine.

- 재 질 : 고품질 폴리아미드6
- 방 수 등 급 : IP 67 (EN 60529)
- 적용온도범위 : -40° C + 105° C
- 순간최대온도 : up +150° C
- 자기소화성 : UL94-HB
- 색 상 : 검정색, 회색
- 적 용 : Free of Halogen Phosphorous and cadmium
공작기계, 산업기계, 자동화기계
조선소, 전동차등 기계의 진동으로 발생하는
케이블의 단선을 방지하기 위해
사용되는 커넥터.

PF Thread (JIS B0204)

(dimensions in mm)

Order No.												
Black	Gray	Thread	For tube size	Øi(Min)	Øi(Max)	S	L1	L	ØD	SW1	SW2	
TNCC-G10B	TNCC-G10G	G1/2"	10	3.5	6.5	20.9	15	69.5	23	22.6	20.3	
TNCC-G12B	TNCC-G12G	G1/2"	12	4	8	20.9	15	70	25	25.5	22.7	
TNCC-G16B	TNCC-G16G	G1/2"	16	7	12.3	20.9	15	74	30	25.4	27.7	
TNCC-G1622B	TNCC-G1622G	G1/2"	22	12	15.2	20.9	15	85	41	34	36.9	
TNCC-G22B	TNCC-G22G	G3/4"	22	12	18	26.4	15	85	41	34	36.9	
TNCC-G228B	TNCC-G228G	G3/4"	28	18	20.3	26.4	15	89	47	43.4	43	
TNCC-G28B	TNCC-G28G	G1"	28	18	26	33.2	15	89	47	43.4	43	
TNCC-G36B	TNCC-G36G	G1 1/4"	36	22	33	41.9	19	112	56	53	52.2	
TNCC-G48B	TNCC-G48G	G2"	48	30	38	59.6	19	120	68	66.5	64.1	

Metric Thread (EN 60423)

(dimensions in mm)

Order No.												
Black	Gray	Thread	For tube size Øi (Min)	Øi (Max)	S	L1	L	ØD	SW1	SW2		
TNCC-M10B	TNCC-M10G	M12 X 1.5	10	3.5	6.5	12	15	69.5	23	22.6	20.3	
TNCC-M120B	TNCC-M120G	M16 X 1.5	10	3.5	6.5	16	15	69.5	23	22.6	20.3	
TNCC-M102B	TNCC-M102G	M12 X 1.5	12	4	7.1	12	15	70	25	25.5	22.7	
TNCC-M12B	TNCC-M12G	M16 X 1.5	12	4	8	16	15	70	25	25.5	22.7	
TNCC-M162B	TNCC-M162G	M20 X 1.5	12	4	8	20	15	70	25	25.5	22.7	
TNCC-M126B	TNCC-M126G	M16 X 1.5	16	7	10.9	16	15	74	30	25.4	27.7	
TNCC-M16B	TNCC-M16G	M20 X 1.5	16	7	12.3	20	15	74	30	25.4	27.7	
TNCC-M1622B	TNCC-M1622G	M20 X 1.5	22	12	14.5	20	15	85	41	34	36.9	
TNCC-M22B	TNCC-M22G	M25 X 1.5	22	12	18	25	15	85	41	34	36.9	
TNCC-M228B	TNCC-M228G	M25 X 1.5	28	18	19.5	25	15	89	47	43.4	43	
TNCC-M28B	TNCC-M28G	M32 X 1.5	28	18	26	32	15	89	47	43.4	43	
TNCC-M36B	TNCC-M36G	M40 X 1.5	36	22	33	40	19	112	56	53	52.2	
TNCC-M48B	TNCC-M48G	M50 X 1.5	48	30	38	50	19	120	68	66.5	64.1	

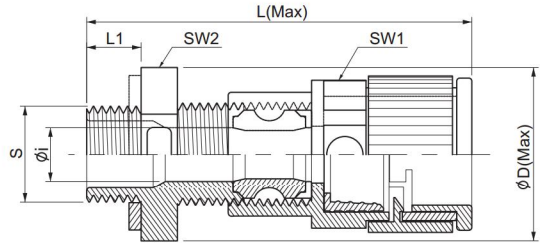
Pg Thread (DIN 40424)

TNCC-P07B	TNCC-P07G	Pg07	10	3.5	6.5	12.5	15	69.5	23	22.6	20.3	
TNCC-P09B	TNCC-P09G	Pg09	10	6.5	6.5	15.2	15	69.5	23	22.6	20.3	
TNCC-P072B	TNCC-P072G	Pg07	12	4	8	12.5	15	70	25	25.5	22.7	
TNCC-P092B	TNCC-P092G	Pg09	12	4	8	15.2	15	70	25	25.5	22.7	
TNCC-P11B	TNCC-P11G	Pg11	12	4	8	18.6	15	70	25	25.5	22.7	
TNCC-P132B	TNCC-P132G	Pg13.5	12	4	8	20.4	15	70	25	25.5	22.7	
TNCC-P162B	TNCC-P162G	Pg16	12	4	8	22.5	15	70	25	25.5	22.7	
TNCC-P096B	TNCC-P096G	Pg09	16	7	10.6	15.2	15	74	30	25.4	27.7	
TNCC-P116B	TNCC-P116G	Pg11	16	7	12.3	18.6	15	74	30	25.4	27.7	
TNCC-P13B	TNCC-P13G	Pg13.5	16	7	12.3	20.4	15	74	30	25.4	27.7	
TNCC-P16B	TNCC-P16G	Pg16	16	7	12.3	22.5	15	74	30	25.4	27.7	
TNCC-P122B	TNCC-P122G	Pg11	22	12	13.9	18.6	15	85	41	34	36.9	
TNCC-P1322B	TNCC-P1322G	Pg13.5	22	12	14.8	20.4	15	85	41	34	36.9	
TNCC-P1622B	TNCC-P1622G	Pg16	22	12	17.3	22.5	15	85	41	34	36.9	
TNCC-P21B	TNCC-P21G	Pg21	22	12	18	28.3	15	85	41	34	36.9	
TNCC-P218B	TNCC-P218G	Pg21	28	18	22.5	28.3	15	89	47	43.4	43	
TNCC-P29B	TNCC-P29G	Pg29	28	18	26	37	15	89	47	43.4	43	
TNCC-P36B	TNCC-P36G	Pg36	36	22	33	47	19	112	56	53	52.2	
TNCC-P48B	TNCC-P48G	Pg48	48	30	38	59.3	19	120	68	66.5	64.1	

TNCCL IP67



Black
Gray



● G(PF) ● M ● Pg

- Material: High Quality Polyamide6
- Protective: IP 67 (EN 60529)
- Temperature Range: -40° C to + 105° C
- Short Term: up to +150° C
- Self-Extinguishing: UL94-HB
- Color: Black & Gray
- Application: Machine tool, Shipbuilding, Tramway Industrial / Automatic Machinery Printing Machine etc. Connector to avoid the cut-off of the cable in the machine.

- 재 질 : 고품질 폴리아미드6
- 방 수 등 급 : IP 67 (EN 60529)
- 적용온도범위 : -40° C + 105° C
- 순간최대온도 : up +150° C
- 자기소화성 : UL94-HB
- 색 상 : 검정색, 회색
- 적 용 : 공장기계, 산업기계, 자동화기계
- 조선소, 전동차등 기계의 진동으로 발생하는 케이블의 단선을 방지하기 위해 사용되는 커넥터.

PF Thread (JIS B0204)

(dimensions in mm)

Order No.												
Black	Gray	Thread	For tube size	Ø _i (Min)	Ø _i (Max)	S	L ₁	L	Ø _d	SW1	SW2	
TNCCL-G10B	TNCCL-G10G	G1/2"	10	3.5	6.5	20.9	9	63.5	23	22.6	20.3	
TNCCL-G12B	TNCCL-G12G	G1/2"	12	4	8	20.9	6	64	25	25.5	22.7	
TNCCL-G16B	TNCCL-G16G	G1/2"	16	7	12.3	20.9	6	68	30	25.4	27.7	

Metric Thread (EN 60423)

(dimensions in mm)

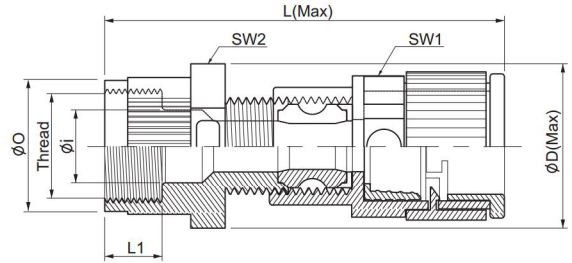
Order No.												
Black	Gray	Thread	For tube size	\varnothing_i (Min)	\varnothing_i (Max)	S	L ₁	L	\varnothing_D	SW1	SW2	
TNCCL-M10B	TNCCL-M10G	M12 X 1.5	10	3.5	6.5	12	9	63.5	23	22.6	20.3	
TNCCL-M120B	TNCCL-M120G	M16 X 1.5	10	3.5	6.5	16	9	63.5	23	22.6	20.3	
TNCCL-M102B	TNCCL-M102G	M12 X 1.5	12	4	7.1	12	9	64	25	25.5	22.7	
TNCCL-M12B	TNCCL-M12G	M16 X 1.5	12	4	8	16	9	64	25	25.5	22.7	
TNCCL-M162B	TNCCL-M162G	M20 X 1.5	12	4	8	20	9	64	25	25.5	22.7	
TNCCL-M126B	TNCCL-M126G	M16 X 1.5	16	7	10.9	16	6	68	30	25.4	27.7	
TNCCL-M16B	TNCCL-M16G	M20 X 1.5	16	7	12.3	20	9	68	30	25.4	27.7	
TNCCL-M216B	TNCCL-M216G	M25 X 1.5	16	7	12.3	25	6	68	30	25.4	27.7	

Pg Thread (DIN 40424)

TNCCL-P09B	TNCCL-P09G	Pg09	10	6.5	6.5	15.2	9	63.5	23	22.6	20.3	
TNCCL-P092B	TNCCL-P092G	Pg09	12	4	8	15.2	9	64	25	25.5	22.7	
TNCCL-P11B	TNCCL-P11G	Pg11	12	4	8	18.6	9	64	25	25.5	22.7	
TNCCL-P132B	TNCCL-P132G	Pg13.5	12	4	8	20.4	9	64	25	25.5	22.7	
TNCCL-P162B	TNCCL-P162G	Pg16	12	4	8	22.5	9	64	25	25.5	22.7	
TNCCL-P116B	TNCCL-P116G	Pg11	16	7	12.3	18.6	9	68	30	25.4	27.7	
TNCCL-P13B	TNCCL-P13G	Pg13.5	16	7	12.3	20.4	9	68	30	25.4	27.7	
TNCCL-P16B	TNCCL-P16G	Pg16	16	7	12.3	22.5	9	68	30	25.4	27.7	



TICC IP67



- Black
- Gray

☐ UNEF

- Material: High Quality Polyamide6
- Protective: IP 67 (EN 60529)
- Temperature Range: -40° C to + 105° C
- Short Term: up to +150° C
- Self-Extinguishing: UL94-HB
- Free of Halogen Phosphorous and cadmium
- Color: Black & Gray
- Application: Machine tool, Shipbuilding, Tramway
Industrial / Automatic Machinery
Printing Machine etc. Connector to avoid the cut-off of the cable in the machine.

- 재 질 : 고품질 폴리아미드6
- 방 수 등 급 : IP 67 (EN 60529)
- 적용온도범위 : -40° C + 105° C
- 순간최대온도 : up +150° C
- 자기소화성 : UL94-HB
- Free of Halogen Phosphorous and cadmium
- 색 상 : 검정색, 회색
- 적 용 : 공작기계, 산업기계, 자동화기계
조선소, 전동차등 기계의 진동으로 발생하는
케이블의 단선을 방지하기 위해
사용되는 커넥터.

UNEF Thread (MIL 5015)

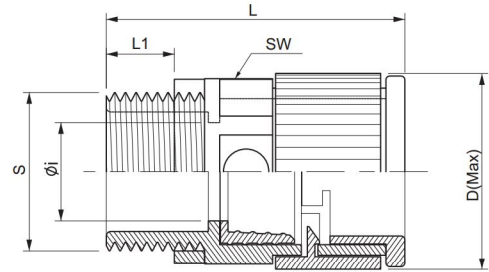
(dimensions in mm)

Order No.													
Black	Gray	Thread	Fortube size	Sheet Size	Ø _i (Min)	Ø _i (Max)	L ₁	L	Ø _o	Ø _D	SW1	SW2	
TICC-U1010B	TICC-U1010G	1/2-28UNEF	10	8S, 10S	3.5	6.5	10	69.5	18.4	25	22.6	22.6	
TICC-U1210B	TICC-U1210G	5/8-24UNEF	10	10SL, 12S	3.5	6.5	10	69.5	20.6	25	22.6	22.6	
TICC-U1410B	TICC-U1410G	3/4-20UNEF	10	14, 14S	3.5	6.5	10	69.5	24	25	22.6	22.6	
TICC-U1212B	TICC-U1212G	5/8-24UNEF	12	10SL, 12S	4	8	10	70	20.6	25	25.5	25.5	
TICC-U1412B	TICC-U1412G	3/4-20UNEF	12	14, 14S	4	8	10	70	24	25	25.5	25.5	
TICC-U1812B	TICC-U1812G	1-20UNEF	12	18	4	8	10	70	31	25	25.5	25.5	
TICC-U1616B	TICC-U1616G	7/8-20UNEF	16	16, 16S	7	12.3	10	74	28	30	25.4	25.4	
TICC-U1816B	TICC-U1816G	1-20UNEF	16	18	7	12.3	10	74	31	30	25.4	25.4	
TICC-U2016B	TICC-U2016G	1 3/16-18UNEF	16	20, 22	7	12.3	10	74	35.5	30	25.4	25.4	
TICC-U2816B	TICC-U2816G	1 7/16-18UNEF	16	24, 28	7	12.3	10	74	42	30	25.4	25.4	
TICC-U2222B	TICC-U2222G	1 3/16-18UNEF	22	20, 22	12	16	10	85	35.5	41	34	34	
TICC-U2822B	TICC-U2822G	1 7/16-18UNEF	22	24, 28	12	16	10	85	42	41	34	34	
TICC-U2828B	TICC-U2828G	1 7/16-18UNEF	28	24, 28	18	26	10	89	50	47	43.4	43.4	
TICC-U3228B	TICC-U3228G	13/4-18UNS	28	32	18	26	10	89	50	47	43.4	43.4	
TICC-U3628B	TICC-U3628G	2-18UNS	28	36	18	26	10	89	56.5	47	43.4	53	
TICC-U3636B	TICC-U3636G	2-18UNS	36	36	22	33	10	112	56.5	56	66.5	66.5	

TNCL IP67



Black
Gray



G(PF) M Pg

- Material: High Quality Polyamide6
- Protective: IP 67 (EN 60529)
- Temperature Range: -40° C to + 105° C
- Short Term: up to +150° C
- Self-Extinguishing: UL94-HB
Free of Halogen Phosphorous and cadmium
- Color: Black & Gray
- Application: Machine tool, Shipbuilding, Tramway
Industrial / Automatic Machinery
Printing Machine etc. connector for jointing into
Limit - Switch.

- 재 질 : 고품질 폴리아미드6
- 방 수 등 급 : IP 67 (EN 60529)
- 적용온도범위 : -40° C + 105° C
- 순간최대온도 : up +150° C
- 자기소화성 : UL94-HB
Free of Halogen Phosphorous and cadmium
- 색 상 : 검정색, 회색
- 적 용 : 공작기계, 산업기계, 자동화기계
조선소, 전동차등 기계의 리미트스위치에
결합하기 위한 전용커넥터.

PF Thread / Straight (JIS B0204)

(dimensions in mm)

Order No.	Black	Gray	Thread	For tube size	S	L1	L	Øi	ØD	SW
TNCL-G10B	TNCL-G10G	G1/2"	10	20.9	8	40	10	25	19.8	
TNCL-G12B	TNCL-G12G	G1/2"	12	20.9	8	40	13	25	22.7	
TNCL-G16B	TNCL-G16G	G1/2"	16	20.9	8	41	14	30	28	

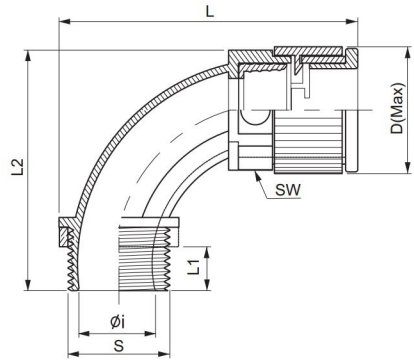
Metric Thread / Straight (EN 60423)

TNCL-M10B	TNCL-M10G	M12 X 1.5	10	12	8	40	7.5	25	19.8
TNCL-M120B	TNCL-M120G	M16 X 1.	10	16	8	40	10	25	19.8
TNCL-M20B	TNCL-M20G	M20 X 1.5	10	20	8	40	10	25	19.8
TNCL-M102B	TNCL-M102G	M12 X 1.5	12	12	8	40	7.5	25	22.7
TNCL-M12B	TNCL-M12G	M16 X 1.5	12	16	8	40	11	25	22.7
TNCL-M202B	TNCL-M202G	M20 X 1.5	12	20	8	40	13	25	22.7
TNCL-M126B	TNCL-M126G	M16 X 1.5	16	16	8	41	11.5	30	28
TNCL-M16B	TNCL-M16G	M20 X 1.5	16	20	8	41	14	30	28
TNCL-M226B	TNCL-M226G	M25 X 1.5	16	25	8	41	14	30	28

Pg Thread/ Straight (DIN 40424)

TNCL-P09B	TNCL-P09G	Pg09	10	15.2	8	40	10	25	19.8
TNCL-P160B	TNCL-P160G	Pg16	10	22.5	8	40	10	25	19.8
TNCL-P0912B	TNCL-P0912G	Pg09	12	15.2	8	40	10	25	22.7
TNCL-P11B	TNCL-P11G	Pg11	12	18.6	8	40	12.5	25	22.7
TNCL-P136B	TNCL-P136G	Pg13.5	16	20.4	8	41	14	30	28
TNCL-P16B	TNCL-P16G	Pg16	16	22.5	8	41	14	30	28

TWCL IP67



■ Black
■ Gray

● G(PF) ● M ● Pg

- Material: High Quality Polyamide6
- Protective: IP 67 (EN 60529)
- Temperature Range: -40° C to + 105° C
- Short Term: up to +150° C
- Self-Extinguishing: UL94-HB
- Color: Black & Gray
- Application: Machine tool, Shipbuilding, Tramway Industrial / Automatic Machinery Printing Machine etc. connector for jointing into Limit - Switch.

- 재 질 : 고품질 폴리아미드6
- 방 수 등 급 : IP 67 (EN 60529)
- 적용온도범위 : -40° C + 105° C
- 순간최대온도 : up +150° C
- 자기소화성 : UL94-HB
- 색 상 : 검정색, 회색
- 적 용 : 공작기계, 산업기계, 자동화기계 조선소, 전동차등 기계의 리미트스위치에 결합하기 위한 전용커넥터.

PF Thread / 90°Elbow (JIS B0204)

(dimensions in mm)

Order No.											
Black	Gray	Thread	For tube size	S	L ₁	L ₂	L	Ø _i	Ø _D	SW	
TWCL-G10B	TWCL-G10G	G1/2"	10	20.9	8	51	62	10	25	19.8	
TWCL-G12B	TWCL-G12G	G1/2"	12	20.9	8	51	60	12	25	22.7	
TWCL-G16B	TWCL-G16G	G1/2"	16	20.9	8	59	66	13	30	28	

Metric Thread / 90°Elbow (EN 60423)

TWCL-M10B	TWCL-M10G	M12 X 1.5	10	12	8	51	62	7	25	19.8
TWCL-M12B	TWCL-M12G	M16 X 1.5	12	16	8	51	60	10	25	22.7
TWCL-M202B	TWCL-M202G	M20 X 1.5	12	20	8	51	60	12	25	22.7
TWCL-M16B	TWCL-M16G	M20 X 1.5	16	20	8	59	66	13	30	28

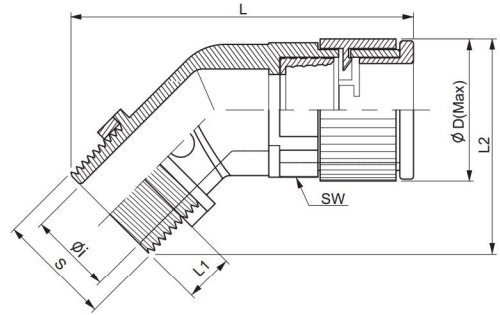
Pg Thread / 90°Elbow (DIN 40424)

TWCL-P09B	TWCL-P09G	Pg09	10	15.2	8	51	62	9	25	19.8
TWCL-P110B	TWCL-P110G	Pg11	10	18.6	8	51	62	10	25	19.8
TWCL-P130B	TWCL-P130G	Pg13.5	10	20.4	8	51	62	10	25	19.8
TWCL-P11B	TWCL-P11B	Pg11	12	18.6	8	51	60	10	25	22.7
TWCL-P132B	TWCL-P132G	Pg13.5	12	20.4	8	51	60	12	25	22.7
TWCL-P162B	TWCL-P162G	Pg16	12	22.5	8	51	60	12	25	22.7
TWCL-P136B	TWCL-P136G	Pg13.5	16	20.4	8	59	66	13	30	28
TWCL-P16B	TWCL-P16G	Pg16	16	22.5	8	59	66	13	30	28

TACL IP67



Black
 Gray



G(PF)
 M
 Pg

- Material: High Quality Polyamide6
- Protective: IP 67 (EN 60529)
- Temperature Range: -40° C to + 105° C
- Short Term: up to +150° C
- Self-Extinguishing: UL94-HB
- Free of Halogen Phosphorous and cadmium
- Color: Black & Gray
- Application: Machine tool, Shipbuilding, Tramway
Industrial / Automatic Machinery
Printing Machine etc. connector for jointing into
Limit - Switch.

- 재 질 : 고품질 폴리아미드6
- 방 수 등 급 : IP 67 (EN 60529)
- 적용온도범위 : -40° C + 105° C
- 순간최대온도 : up +150° C
- 자기소화성 : UL94-HB
- Free of Halogen Phosphorous and cadmium
- 색 상 : 검정색, 회색
- 적 용 : 공작기계, 산업기계, 자동화기계
조선소, 전동차등 기계의 리미트스위치에
결합하기 위한 전용커넥터.

PF Thread / 45°Elbow (JIS B0204)

(dimensions in mm)

Order No.											
Black	Gray	Thread	For tube size	S	L1	L2	L	Øi	ØD	SW	
TACL-G10B	TACL-G10G	G1/2"	10	20.9	8	35.4	59	10	25	19.8	
TACL-G12B	TACL-G12G	G1/2"	12	20.9	8	38.4	62	12	25	22.7	
TACL-G16B	TACL-G16G	G1/2"	16	20.9	8	43.4	64	13	30	28	

Metric Thread / 45°Elbow (EN 60423)

TACL-M10B	TACL-M10G	M12 X 1.5	10	12	8	32.2	56	6	25	19.8
TACL-M12B	TACL-M12G	M16 X 1.5	12	16	8	36.9	60	9	25	22.7
TACL-M16B	TACL-M16G	M20 X 1.5	16	20	8	43	65	13	30	28

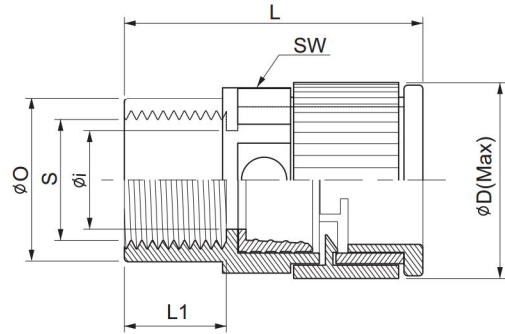
Pg Thread / 45°Elbow (DIN 40424)

TACL-P09B	TACL-P09G	Pg09	10	15.2	8	33.4	60	9	25	19.8
TACL-P110B	TACL-P110G	Pg11	10	18.6	8	34.4	60	9	25	19.8
TACL-P130B	TACL-P130G	Pg13.5	10	20.4	8	35	60	9	25	19.8
TACL-P11B	TACL-P11G	Pg11	12	18.6	8	37.7	66	9	25	19.8
TACL-P136B	TACL-P136G	Pg13.5	16	20.4	8	43.2	66	13	30	28
TACL-P16B	TACL-P16G	Pg16	16	22.5	8	44	66	13	30	28

TIPC IP67



- Black
- Gray



● G(PF)

- Material: High Quality Polyamide6
- Protective: IP 67 (EN 60529)
- Temperature Range: -40° C to + 105° C
- Short Term: up to +150° C
- Self-Extinguishing: UL94-HB
Free of Halogen Phosphorous and cadmium
- Color: Black & Gray
- Application: Machine tool, Shipbuilding, Tramway
Industrial / Automatic Machinery
Printing Machine etc. Pipe with connector.

- 재 질 : 고품질 폴리아미드6
- 방 수 등 급 : IP 67 (EN 60529)
- 적용온도범위 : -40° C + 105° C
- 순간최대온도 : up +150° C
- 자기소화성 : UL94-HB
Free of Halogen Phosphorous and cadmium
- 색 상 : 검정색, 회색
- 적 용 : 공작기계, 산업기계, 자동화기계
조선소, 전동차등 파이프에 결합하기 위한 커넥터.

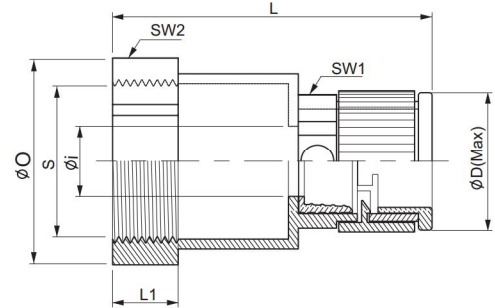
PF Thread (JIS B0204)

(dimensions in mm)

Order No.										
Black	Gray	Thread	For tube size	S	L1	L	Øi	Øo	ØD	SW
TIPC-G16B	TIPC-G16G	G1/2"	16	18.6	13.8	41.8	14	28	30	27.7
TIPC-G22B	TIPC-G22G	G3/4"	22	24.1	15	49	18	35	41	36.9
TIPC-G28B	TIPC-G28G	G1"	28	30.2	15	54	25	41.5	47	43
TIPC-G36B	TIPC-G36G	G1 1/4"	36	38.9	29	75	30	53	56	52.2
TIPC-G42B	TIPC-G42G	G1 1/2"	48	44.8	29	81	42	66	68	64.1
TIPC-G48B	TIPC-G48G	G2"	48	56.6	29	81	42	66	68	64.1



TIS IP67



■ M

- Material: High Quality Polycarbonate
- Protective: IP 67 (EN 60529)
- Temperature Range: -40° C to + 105° C
- Short Term: up to +150° C
- Self-Extinguishing: UL94-HB
Free of Halogen Phosphorous and cadmium
- Color: Transparency
- Application: Machine tool, Shipbuilding, Tramway
Industrial / Automatic Machinery
Printing Machine etc. Sensor with connector

- 재 질 : 고품질 폴리카보나이트
- 방 수 등 급 : IP 67 (EN 60529)
- 적용온도범위 : -40° C + 105° C
- 순간최대온도 : up +150° C
- 자기소화성 : UL94-HB
Free of Halogen Phosphorous and cadmium
- 색 상 : 투명
- 적 용 : 공작기계, 산업기계, 자동화기계
조선소, 전동차등 센서커넥터에 결합하기 위한 커넥터

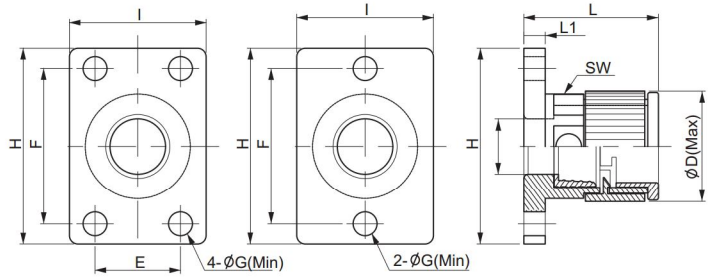
Metric Thread (EN 60423)

(dimensions in mm)

Order No.	Thread	For tube size	S	L ₁	L	Ø _i	Ø _o	Ø _b	SW	SW
TIS-M08T	M8 X 1	10	7.7	12.8	61.5	5	17.5	23	20	16
TIS-M12T	M12 X 1	10	11.6	12.8	61.5	9	20	23	20	18.3
TIS-M18T	M18 X 1	10	17.7	12.8	61.5	9	24	23	20	22
TIS-M30T	M30 X 1.5	10	28.5	12.8	61.5	9	38	23	20	34



TNOC IP67



■ Black
■ Gray

● G(PF)

- Material: High Quality Polyamide6
- Protective: IP 67 (EN 60529)
- Temperature Range: -40° C to + 105° C
- Short Term: up to +150° C
- Self-Extinguishing: UL94-HB
Free of Halogen Phosphorous and cadmium
- Color: Black & Gray
- Application: Machine tool, Shipbuilding, Tramway
Industrial / Automatic Machinery
Printing Machine etc.Control Box with connector

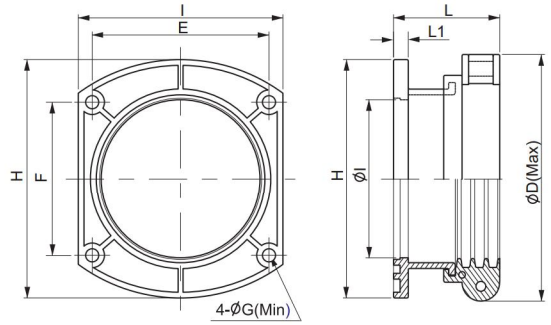
- 재 질 : 고품질 폴리아미드6
- 방 수 등 급 : IP 67 (EN 60529)
- 적용온도범위 : -40° C + 105° C
- 순간최대온도 : up +150° C
- 자기소화성 : UL94-HB
Free of Halogen Phosphorous and cadmium
- 색 상 : 검정색, 회색
- 적 용 : 공작기계, 산업기계, 자동화기계
조선소, 전동차등 컨트롤 패널외부에 부착하기
위해 사용되는 커넥터.

(dimensions in mm)

Order No.												
Black	Gray	For tube size	E	F	G	H	I	L ₁	L	Ø _i	Ø _D	SW
TNOC-12B	TNOC-12G	12	-	36.5	5.5	46	32	5	31.2	11	25	22.7
TNOC-16B	TNOC-16G	16	-	36.5	5.5	46	32	5	33.3	14	30	28
TNOC-22B	TNOC-22G	22	31	54.8	6.5	64.8	45	6	39	18	41	37.5
TNOC-28B	TNOC-28G	28	31	54.8	6.5	64.8	45	6	45	25	47	43
TNOC-36B	TNOC-36G	36	31	72.6	6.5	86.6	60	6	52	25	56	52.2
TNOC-48B	TNOC-48G	48	30.5	72.6	6.5	86.6	73	6	58	48	68	64.1



TNOC IP67



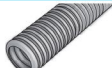
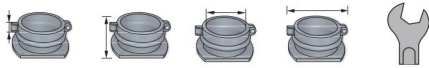
- Black
- Gray

G(PF)

- Material: High Quality Polyamide6
- Protective: IP 65 (EN 60529)
- Temperature Range: -40° C to + 105° C
- Short Term: up to +150° C
- Self-Extinguishing: UL94-HB
Free of Halogen Phosphorous and cadmium
- Color: Black & Gray
- Application: Machine tool, Shipbuilding, Tramway
Industrial / Automatic Machinery
Printing Machine etc. Control Box with connector

- 재 질 : 고품질 폴리아미드6
- 방 수 등 급 : IP 65 (EN 60529)
- 적용온도범위 : -40° C + 105° C
- 순간최대온도 : up +150° C
- 자기소화성 : UL94-HB
Free of Halogen Phosphorous and cadmium
- 색 상 : 검정색, 회색
- 적 용 : 공작기계, 산업기계, 자동화기계
조선소, 전동차등 컨트롤 판넬외부에 부착하기
위해 사용되는 커넥터.

(dimensions in mm)

Order No.												
Black	Gray	For tube size	E	F	G	H	I	L ₁	L	Ø _i	Ø _D	SW
TNOC-56B	TNOC-56G	56	67	61	7	96	81	4	39.2	56	93	-
TNOC-70B	TNOC-70G	70	84	78	7	113	98	9	52	70	121	-
TNOC-95B	TNOC-95G	95	108	94	8	146	125	9	64.7	92	151	-

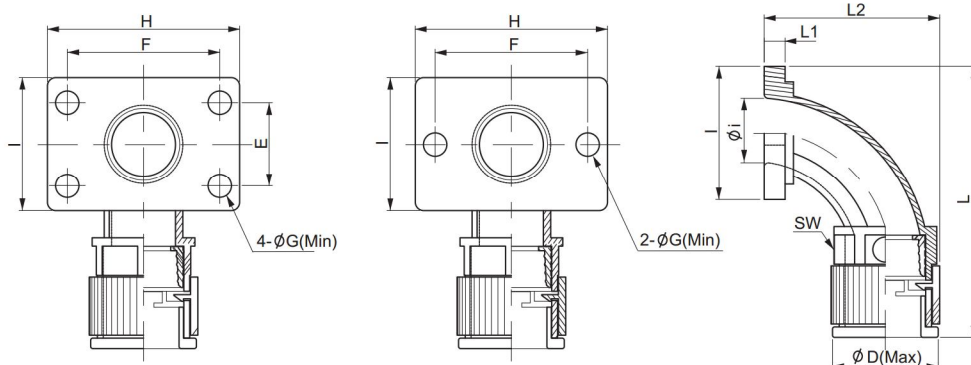


TWOC IP67



■ Black
■ Gray

- Material: High Quality Polyamide6
 - Protective: IP 67 (EN 60529)
 - Temperature Range: -40° C to + 105° C
 - Short Term: up to +150° C
 - Self-Extinguishing: UL94-HB
 - Color: Black & Gray
 - Application: Machine tool, Shipbuilding, Tramway Industrial / Automatic Machinery Printing Machine etc. Control Box with connector
- 재 질 : 고품질 폴리아미드6
 - 방 수 등 급 : IP 67 (EN 60529)
 - 적용온도범위 : -40° C + 105° C
 - 순간최대온도 : up +150° C
 - 자기소화성 : UL94-HB
 - 색 상 : 검정색, 회색
 - 적 용 : 공작기계, 산업기계, 자동화기계 조선소, 전동차등 컨트롤 판넬외부에 부착하기 위해 사용되는 커넥터.



□ G(PF)

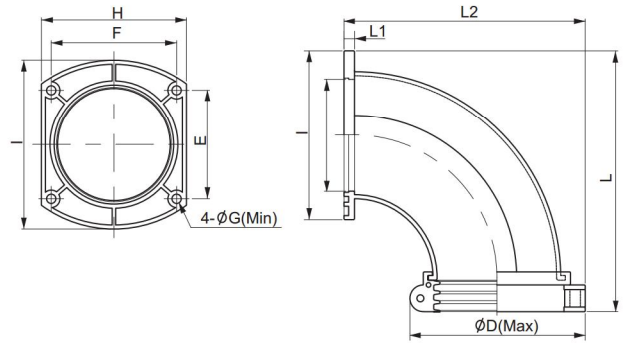
(dimensions in mm)

Order No.													
Black	Gray	For tube size	E	F	G	H	I	L1	L2	L	Øi	ØD	SW
TWOC-12B	TWOC-12G	12	-	36.5	5.5	45	32	5	43	61	12	25	22.7
TWOC-16B	TWOC-16G	16	-	36.5	5.5	45	32	5	51	71	13	30	28
TWOC-22B	TWOC-22G	22	30.5	53.5	5.5	66	45	6	58	81	19	41	37.5
TWOC-28B	TWOC-28G	28	30.5	55	6	66	45	6	66	98	26	47	43
TWOC-36B	TWOC-36G	36	30.5	73	7	86	64	6	82	123	32	56	52.2
TWOC-48B	TWOC-48G	48	30.5	73	7	86	78	6	97	147	43	68	64.1

TWOC IP67



Black
 Gray



● G(PF)

- Material: High Quality Polyamide6
- Protective: IP 65 (EN 60529)
- Temperature Range: -40° C to + 105° C
- Short Term: up to +150° C
- Self-Extinguishing: UL94-HB
Free of Halogen Phosphorous and cadmium
- Color: Black & Gray
- Application: Machine tool, Shipbuilding, Tramway
Industrial / Automatic Machinery
Printing Machine etc.Control Box with connector.

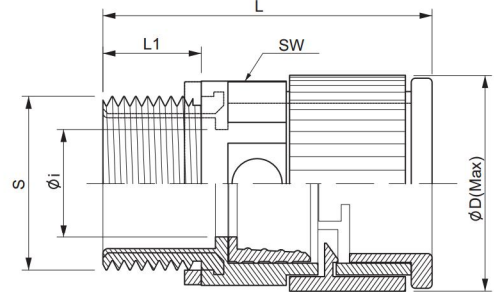
- 재 질 : 고품질 폴리아미드6
- 방 수 등 급 : IP 65 (EN 60529)
- 적용온도범위 : -40° C + 105° C
- 순간최대온도 : up +150° C
- 자기소화성 : UL94-HB
Free of Halogen Phosphorous and cadmium
- 색 상 : 검정색, 회색
- 적 용 : 공작기계, 산업기계, 자동화기계
조선소, 전동차등 컨트롤 판넬외부에 부착하기
위해 사용되는 커넥터.

(dimensions in mm)

Order No.													
Black	Gray	For tube size	E	F	G	H	I	L ₁	L ₂	L	Ø _i	Ø _D	SW
TWOC-56B	TWOC-56G	56	61	67	7	81	96	6	117.5	139.2	56	93	-
TWOC-70B	TWOC-70G	70	78	84	7	98	113	9	171.5	191.6	70	121	-
TWOC-95B	TWOC-95G	95	94	108	8	125	146	9	195	225	92	151	-



SNC IP67



■ Black
■ Gray

● M ● Pg

- Material: High Quality Polyamide6+Brass Nickel plated
- Protective: IP 67 (EN 60529)
- Temperature Range: -40° C to + 105° C
- Short Term: up to +150° C
- Self-Extinguishing: UL94-HB
Free of Halogen Phosphorous and cadmium
- Color: Black & Gray
- Application: Tramway Vehicle Construction etc.

- 재 질 : 고품질 폴리아미드6+ 황동니켈도금
- 방 수 등 급 : IP 67 (EN 60529)
- 적용온도범위 : -40° C + 105° C
- 순간최대온도 : +150° C
- 자기소화성 : UL94-HB
Free of Halogen Phosphorous and cadmium
- 색 상 : 검정색, 회색
- 적 용 : 진동이 큰 철도차량에 사용되는 커넥터.

Pg Thread (DIN 40430)

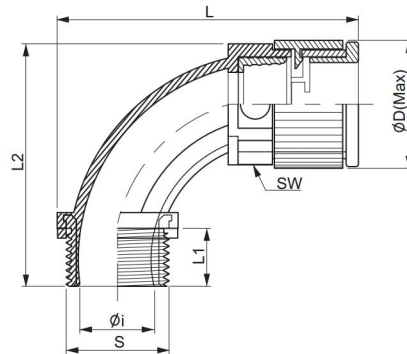
(dimensions in mm)

Order No.									
Black	Gray	Thread	Fortube size	S	L ₁	L	Ø _i	Ø _D	SW
SNC-P09B	SNC-P09G	Pg09	10	15.2	13	42	10	25	19.8
SNC-P11B	SNC-P11G	Pg11	12	18.6	13	42	12	25	22.7
SNC-P132B	SNC-P132G	Pg13.5	12	20.4	13	42	12	25	22.7
SNC-P136B	SNC-P136G	Pg13.5	16	20.4	13	43	14	30	28
SNC-P16B	SNC-P16G	Pg16	16	22.5	15	43	15	30	28
SNC-P21B	SNC-P21G	Pg21	22	28.3	15	51	19	41	37.5
SNC-P29B	SNC-P29G	Pg29	28	37	15	55	26	47	43
SNC-P36B	SNC-P36G	Pg36	36	47	19	67	33	56	52.2
SNC-P48B	SNC-P48G	Pg48	48	59.3	21	74	48	68	64.1

Metric Thread (EN 60424)

SNC-M10B	SNC-M10G	M12 X 1.5	10	12	13	42	7	25	19.8
SNC-M12B	SNC-M12G	M16 X 1.5	12	16	13	42	10	25	22.7
SNC-M16B	SNC-M16G	M20 X 1.5	16	20	13	43	14	30	28
SNC-M22B	SNC-M22G	M25 X 1.5	22	25	15	51	16	41	37.5
SNC-M28B	SNC-M28G	M32 X 1.5	28	32	15	55	23	47	43
SNC-M36B	SNC-M36G	M40 X 1.5	36	40	19	67	31	56	52.2
SNC-M48B	SNC-M48G	M50 X 1.5	48	50	21	74	40	68	64.1

SWC IP67



Black
 Gray



M Pg

- Material: High Quality Polyamide6+Brass Nickel plated
- Protective: IP 67 (EN 60529)
- Temperature Range: -40° C to + 105° C
- Short Term: up to +150° C
- Self-Extinguishing: UL94-HB
- Free of Halogen Phosphorous and cadmium
- Color: Black & Gray
- Application: Tramway Vehicle Construction etc.

- 재 질 : 고품질 폴리아미드6+ 황동니켈도금
- 방 수 등 급 : IP 67 (EN 60529)
- 적용온도범위 : -40° C + 105° C
- 순간최대온도 : up +150° C
- 자기소화성 : UL94-HB
- Free of Halogen Phosphorous and cadmium
- 색 상 : 검정색, 회색
- 적 용 : 진동이 큰 철도차량에 사용되는 커넥터.

Pg Thread (DIN 40430)

(dimensions in mm)

Order No.											
Black	Gray	Thread	Fortube size	S	L ₁	L ₂	L	Ø _i	Ø _D	SW	
SWC-P077B	SWC-P077G	Pg07	07	12.5	11	33	41	6	17	14.2	
SWC-P09B	SWC-P09G	Pg09	10	15.2	13	53	62	8	25	19.8	
SWC-P11B	SWC-P11G	Pg11	12	18.6	13	53	60	9	25	22.7	
SWC-P136B	SWC-P136G	Pg13.5	16	20.4	13	62	66	12	30	28	
SWC-P16B	SWC-P16G	Pg16	16	22.5	13	62	66	12	30	28	
SWC-P21B	SWC-P21G	Pg21	22	28.3	15	71	81	18	41	37.5	
SWC-P29B	SWC-P29G	Pg29	28	37	15	77	96	25	47	43	
SWC-P36B	SWC-P36G	Pg36	36	47	19	97	119	31	56	52.2	
SWC-P48B	SWC-P48G	Pg48	48	59.3	19	112	141	42	68	64.1	

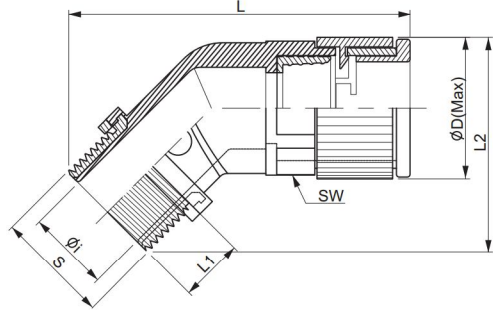
Metric Thread (EN 60424)

SWC-M107B	SWC-M107G	M12 X 1.5	07	12	11	33	41	6	17	14.2
SWC-M10B	SWC-M10G	M12 X 1.5	10	12	13	53	62	6	25	19.8
SWC-M12B	SWC-M12G	M16 X 1.5	12	16	13	53	60	9	25	22.7
SWC-M16B	SWC-M16G	M20 X 1.5	16	20	13	62	66	12	30	28
SWC-M22B	SWC-M22G	M25 X 1.5	22	25	15	71	81	16	41	37.5
SWC-M28B	SWC-M28G	M32 X 1.5	28	32	15	77	96	23	47	43
SWC-M36B	SWC-M36G	M40 X 1.5	36	40	19	97	119	31	56	52.2
SWC-M48B	SWC-M48G	M50 X 1.5	48	50	19	112	141	41	68	64.1

SAC IP67



Black
 Gray



M Pg

- Material: High Quality Polyamide6+Brass Nickel plated
- Protective: IP 67 (EN 60529)
- Temperature Range: -40° C to + 105° C
- Short Term: up to +150° C
- Self-Extinguishing: UL94-HB
- Color: Black & Gray
- Application: Tramway Vehicle Construction etc.
- Free of Halogen Phosphorous and cadmium

- 재 질 : 고품질 폴리아미드6+ 황동니켈도금
- 방 수 등 급 : IP 67 (EN 60529)
- 적용온도범위 : -40° C + 105° C
- 순간최대온도 : up +150° C
- 자기소화성 : UL94-HB
- 색 상 : 검정색, 회색
- 용 용 : 진동이 큰 철도차량에 사용되는 커넥터.
- Free of Halogen Phosphorous and cadmium

Pg Thread (DIN 40430)

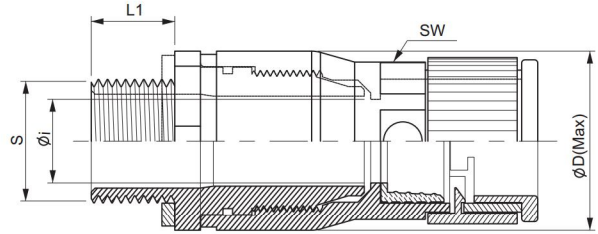
(dimensions in mm)

Order No.										
Black	Gray	Thread	Fortube size	S	L ₁	L ₂	L	Ø _i	Ø _D	SW
SAC-P09B	SAC-P09G	Pg09	10	15.2	13	34	62	8	25	19.8
SAC-P11B	SAC-P11G	Pg11	12	18.6	13	39	68	9	25	22.7
SAC-P136B	SAC-P136G	Pg13.5	16	20.4	13	45	68	12	30	28
SAC-P16B	SAC-P16G	Pg16	16	22.5	13	46	68	12	30	28
SAC-P21B	SAC-P21G	Pg21	22	28.3	15	58	82	18	41	37.5
SAC-P29B	SAC-P29G	Pg29	28	37	15	63	92	25	47	43
SAC-P36B	SAC-P36G	Pg36	36	47	20	77	104	31	56	52.2
SAC-P48B	SAC-P48G	Pg48	48	59.3	20	92	125	47	68	64.1

Metric Thread (EN 60424)

SAC-M10B	SAC-M10G	M12 X 1.5	10	12	13	33	58	6	25	19.8
SAC-M12B	SAC-M12G	M16 X 1.5	12	16	13	38	62	9	25	22.7
SAC-M16B	SAC-M16G	M20 X 1.5	16	20	13	45	67	12	30	28
SAC-M22B	SAC-M22G	M25 X 1.5	22	25	15	56	80	16	41	37.5
SAC-M28B	SAC-M28G	M32 X 1.5	28	32	15	61	92	23	47	43
SAC-M36B	SAC-M36G	M40 X 1.5	36	40	20	74	104	31	56	52.2
SAC-M48B	SAC-M48G	M50 X 1.5	48	50	20	89	125	40	68	64.1

SNIC IP67



Black
 Gray

- Material: High Quality Polyamide6+Brass Nickel plated
- Protective: IP 68 (EN 60529)
- Temperature Range: -40° C to + 105° C
- Short Term: up to +150° C
- Self-Extinguishing: UL94-HB
Free of Halogen Phosphorous and cadmium
- Color: Black & Gray
- Application: Tramway Vehicle Construction etc.



M Pg

- 재 질 : 고품질 폴리amide6+ 황동니켈도금
- 방 수 등 급 : IP 68 (EN 60529)
- 적용온도범위 : -40° C + 105° C
- 순간최대온도 : up +150° C
- 자기소화성 : UL94-HB
Free of Halogen Phosphorous and cadmium
- 색 상 : 검정색, 회색
- 적 용 : 진동이 큰 철도차량에 사용되는 커넥터.
전기신호나 전자파로부터 보호.

Pg Thread (DIN 40430)

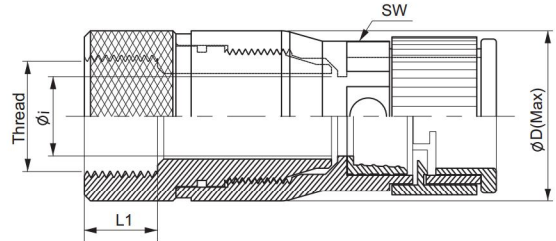
(dimensions in mm)

Order No.									
Black	Gray	Thread	Fortubesize	S	L1	Øi	ØD	SW	
SNIC-P09B	SNIC-P09G	Pg09	10	15.2	13	10	25	19.8	
SNIC-P11B	SNIC-P11G	Pg11	12	18.6	13	12	25	22.7	
SNIC-P136B	SNIC-P13G	Pg13.5	16	20.4	13	14	30	28	
SNIC-P16B	SNIC-P16G	Pg16	16	22.5	13	15	30	28	
SNIC-P21B	SNIC-P21G	Pg21	22	28.3	15	19	41	37.5	
SNIC-P29B	SNIC-P29G	Pg29	28	37	15	26	47	43	
SNIC-P36B	SNIC-P36G	Pg36	36	47	17	33	56	52.2	
SNIC-P48B	SNIC-P48G	Pg48	48	59.3	17	48	68	64.1	

Metric Thread (EN 60423)

SNIC-M10B	SNIC-M10G	M12 X 1.5	10	12	13	7	25	19.8
SNIC-M12B	SNIC-M12G	M16 X 1.5	12	16	13	10	25	22.7
SNIC-M16B	SNIC-M16G	M20 X 1.5	16	20	13	14	30	28
SNIC-M22B	SNIC-M22G	M25 X 1.5	22	25	15	16	41	37.5
SNIC-M28B	SNIC-M28G	M32 X 1.5	28	32	15	23	47	43
SNIC-M36B	SNIC-M36G	M40 X 1.5	36	40	17	31	56	52.2
SNIC-M48B	SNIC-M48G	M50 X 1.5	48	50	17	40	68	64.1

SICC IP68



■ Black
■ Gray

● UNEF

- Material: High Quality Polyamide6+Brass Nickel plated
- Protective: IP 67 (EN 60529)
- Temperature Range: -40° C to + 105° C
- Short Term: up to +150° C
- Self-Extinguishing: UL94-HB
- Color: Black & Gray
- Application: Tramway Vehicle Construction etc.

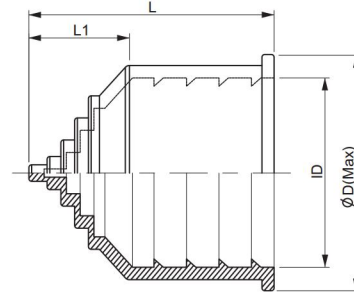
- 재 질 : 고품질 폴리아미드6+ 황동니켈도금
- 방 수 등 급 : IP 67 (EN 60529)
- 적용온도범위 : -40° C + 105° C
- 순간최대온도 : up +150° C
- 자기소화성 : UL94-HB
- 색 상 : 검정색, 회색
- 적 용 : 진동이 큰 철도차량에 사용되는 커넥터. 전기신호나 전자파로부터 보호..

UNEF Thread

(dimensions in mm)

Order No.								
Black	Gray	Thread	Fortube size	Sheet Size	L1	Øi	ØD	SW
SICC-U1010B	SICC-U1010G	1/2-28UNEF	10	8S, 10S	10	9	25	19.8
SICC-U1210B	SICC-U1210G	5/8-24UNEF	10	10SL, 12S	10	9	25	19.8
SICC-U1410B	SICC-U1410G	3/4-20UNEF	10	14, 14S	10	9	25	19.8
SICC-U1212B	SICC-U1212G	5/8-24UNEF	12	10SL, 12S	10	11	25	22.7
SICC-U1412B	SICC-U1412G	3/4-20UNEF	12	14, 14S	10	11	25	22.7
SICC-U1612B	SICC-U1612G	7/8-20UNEF	12	16, 16S	10	11	25	22.7
SICC-U1812B	SICC-U1812G	1-20UNEF	12	18	10	11	25	22.7
SICC-U1616B	SICC-U1616G	7/8-20UNEF	16	16, 16S	10	13	30	28
SICC-U1816B	SICC-U1816G	1-20UNEF	16	18	10	13	30	28
SICC-U2016B	SICC-U2016G	1 3/16-18UNEF	16	20, 22	10	13	30	28
SICC-U2316B	SICC-U2316G	1 3/8-18UNEF	16	20, 22	10	13	30	28
SICC-U2816B	SICC-U2816G	1 7/16-18UNEF	16	24, 28	10	13	30	28
SICC-U2222B	SICC-U2222G	1 3/16-18UNEF	22	20, 22	10	18	41	37.5
SICC-U2822B	SICC-U2822G	1 7/16-18UNEF	22	24, 28	10	18	41	37.5
SICC-U2828B	SICC-U2828G	1 7/16-18UNEF	28	24, 28	10	25	47	43
SICC-U3622B	SICC-U3622G	2-18UNS	22	36	10	18	41	37.5
SICC-U3228B	SICC-U3228G	1 3/4-18UNS	28	32	10	25	47	43
SICC-U3628B	SICC-U3628G	2-18UNS	28	36	10	25	47	43
SICC-U3636B	SICC-U3636G	2-18UNS	36	36	10	32	56	52.2

FEC IP66



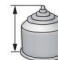
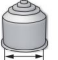



Black
 Gray

- Material: N.B.R (Nitrile-Butadiene Rubber)
- Properties: Tube terminal, assembled by just putting on
- Protective: IP 66 (EN 60529)
- Color: Black & Gray
- For tube type: Corrugated tubes, type of CPSFLEX.

- 재 질 : N.B.R (Nitrile-Butadiene Rubber)
- 특 징 : 전선(Cable)외경에 맞게절단하여 사용가능하며 손으로 밀어넣어 간편하게 튜브와 접속가능.
- 방 수 등 급 : IP 66 (EN 60529)
- 색 상 : 검정색, 회색
- 튜브적용타입 : 외부로 노출되는 케이블의 마감처리용 .

(dimensions in mm)

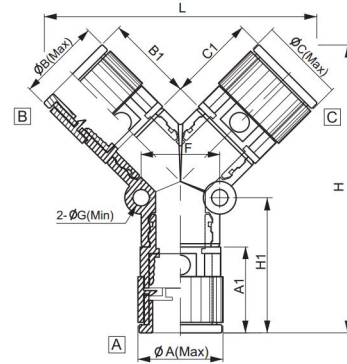
Order No.								
Black	Gray	For tube size	Min	Max	L ₁	L	ID	ØD
FEC-07B	FEC-07G	07	2	7	8	24	10	16
FEC-10B	FEC-10G	10	3	10	11	33	12.5	17
FEC-12B	FEC-12G	12	4.2	12	11	33	16	23.5
FEC-16B	FEC-16G	16	6	16	12.5	34.5	21.2	29
FEC-22B	FEC-22G	22	6	22	16	43	28.5	37
FEC-28B	FEC-28G	28	6	28	16	43	34.5	43
FEC-36B	FEC-36G	36	6	36	24	58.5	42.5	52
FEC-48B	FEC-48G	48	6	48	24	58.5	54.5	64
FEC-56B	FEC-56G	56	9	56	29	71	67.2	76.7
FEC-70B	FEC-70G	70	10	70	36	86	82.5	92
FEC-95B	FEC-95G	95	13	95	45	110	106	115.5



TVC IP67



Black
Gray



FIGURE

- CPS distributors guarantee elegant layout and save on cost instead of using distribution boxes.
- Available to use not only their basic shape TYC, TTC & TVC but also various configurations.
- One Standard model can be changed into 6 different shapes.
- Nominal width from 28, reduceable to 10.

특징

- 중계관 BOX대신 사용함으로써 미려한 외관과 원가절감효과를 낼 수있다.
- 사용용도에 따라 기본형인 TVC형, TTC형, TYC형이 있으며 이를 응용하여 다양하게 적용할수 있다.
- 1개의 표준모델로 6가지의 다양한 형태변화 가능.
- 10사이즈 부터 28사이즈 까지 다양한 결합가능.

ORDERING (주문방법)



TVC - 10 10 10 B : 100EA

Q' ty
Color-B:black, G:gray
Nominal Width for C
Nominal Width for A
Nominal Width for B

TVC

TVC Type

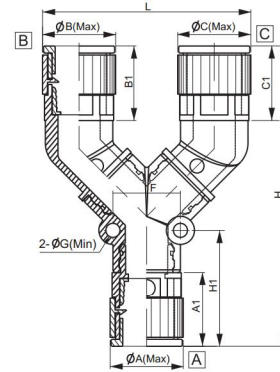
(dimensions in mm)

Order No.		A	B	C	ØA	A1	ØB	B1	ØC	C1	ØG	F	H1	H	L
Black	Gray														
TVC-101010B	TVC-101010G	10	10	10	23	26.6	23	26.6	23	26.6	5	24	41.6	86	80
TVC-121010B	TVC-121010G	12	10	10	25	26.5	23	26.6	23	26.6	5	24	41.5	86	80
TVC-121210B	TVC-121210G	12	12	10	25	26.5	25	26.5	23	26.6	5	24	41.5	88	83
TVC-121212B	TVC-121212G	12	12	12	25	26.5	25	26.5	25	26.5	5	24	41.5	88	83
TVC-161010B	TVC-161010G	16	10	10	30	28.5	23	26.6	23	26.6	5	24	43.5	88	83
TVC-161210B	TVC-161210G	16	12	10	30	28.5	25	26.5	23	26.6	5	24	43.5	90	81
TVC-161212B	TVC-161212G	16	12	12	30	28.5	25	26.5	25	26.5	5	24	43.5	90	83
TVC-161616B	TVC-161616G	16	16	16	30	28.5	30	28.5	30	28.5	5	24	43.5	93	89.8
TVC-222222B	TVC-222222G	22	22	22	41	33.3	41	33.3	41	33.3	5.6	39	48.2	112	112
TVC-282222B	TVC-282222G	28	22	22	47	39	41	33.3	41	33.3	5.6	39	53.9	118	112
TVC-282822B	TVC-282822G	28	28	22	47	39	47	39	41	33.3	5.6	39	53.9	124	118
TVC-282828B	TVC-282828G	28	28	28	47	39	47	39	47	39	5.6	39	53.9	124	124

TYC IP67



Black
Gray



FIGURE

- CPS distributors guarantee elegant layout and save on cost instead of using distribution boxes.
- Available to use not only their basic shape TYC, TTC & TVC but also various configurations.
- One Standard model can be changed into 6 different shapes.
- Nominal width from 28, reduceable to 10.

특징

- 중계관 BOX 대신 사용함으로써 미려한 외관과 원가절감효과를 낼 수 있다.
- 사용용도에 따라 기본형인 TVC형, TTC형, TYC형이 있으며 이를 응용하여 다양하게 적용할 수 있다.
- 1개의 표준모델로 6가지의 다양한 형태변화 가능.
- 10사이즈 부터 28사이즈 까지 다양한 결합가능.



ORDERING (주문방법)

TYC - 10 10 10 B : 100EA

Q' ty
Color-B:black, G:gray
Nominal Width for C
Nominal Width for A
Nominal Width for B

TYC

TYC Type

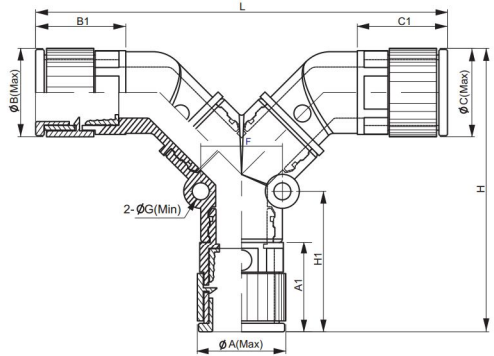
(dimensions in mm)

Order No.																
Black	Gray	A	B	C	ØA	A1	ØB	B1	ØC	C1	ØG	F	H1	H	L	
TYC-101010B	TYC-101010G	10	10	10	23	26.6	23	24	23	24	5	24	41.6	104	67	
TYC-121010B	TYC-121010G	12	10	10	25	26.5	23	24	23	24	5	24	41.5	104	67	
TYC-121210B	TYC-121210G	12	12	10	25	26.5	25	24.4	23	24	5	24	41.5	107	69.7	
TYC-121212B	TYC-121212G	12	12	12	25	26.5	25	24.4	25	24.4	5	24	41.5	107	73.5	
TYC-161010B	TYC-161010G	16	10	10	30	28.5	23	24	23	24	5	24	43.5	105.7	67	
TYC-161210B	TYC-161210G	16	12	10	30	28.5	25	24.4	23	24	5	24	43.5	108.7	69.7	
TYC-161212B	TYC-161212G	16	12	12	30	28.5	25	24.4	25	24.4	5	24	43.5	108.7	73	
TYC-161616B	TYC-161616G	16	16	16	30	28.5	30	26	30	26	5	24	43.5	110.8	83	
TYC-222222B	TYC-222222G	22	22	22	41	33.3	41	33.5	41	33.5	5.6	39	48.2	134.5	108	
TYC-282222B	TYC-282222G	28	22	22	47	39	41	33.5	41	33.5	5.6	39	53.9	142	108	
TYC-282822B	TYC-282822G	28	28	22	47	39	47	39.5	41	33.5	5.6	39	53.9	150	111	
TYC-282828B	TYC-282828G	28	28	28	47	39	47	39.5	47	39.5	5.6	39	53.9	150	114	

TTC IP67



Black
Gray



FIGURE

- CPS distributors guarantee elegant layout and save on cost instead of using distribution boxes.
- Available to use not only their basic shape TYC, TTC & TVC but also various configurations.
- One Standard model can be changed into 6 different shapes.
- Nominal width from 28, reduceable to 10.

특징

- 중계관 BOX 대신 사용함으로써 미려한 외관과 원가절감효과를 낼 수 있다.
- 사용용도에 따라 기본형인 TVC형, TTC형, TYC형이 있으며 이를 응용하여 다양하게 적용할수 있다.
- 1개의 표준모델로 6가지의 다양한 형태변화 가능.
- 10사이즈 부터 28사이즈 까지 다양한 결합가능.

ORDERING (주문방법)



TTC-10 10 10 B : 100EA

Q' ty
Color-B:black, G:gray
Nominal Width for C
Nominal Width for A
Nominal Width for B

TTC

TTC Type

(dimensions in mm)

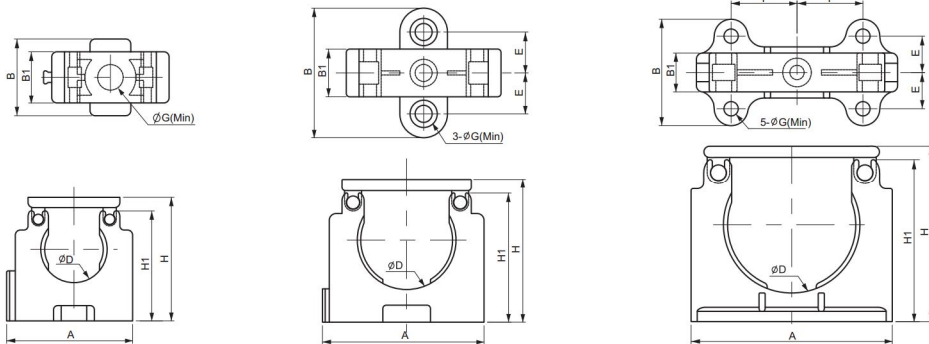
Order No.		A	B	C	ØA	A1	ØB	B1	ØC	C1	ØG	F	H1	H	L
Black	Gray														
TTC-101010B	TTC-101010G	10	10	10	23	26.6	23	24	23	24	5	24	41.6	81	114
TTC-121010B	TTC-121010G	12	10	10	25	26.5	23	24	23	24	5	24	41.5	81	114
TTC-121210B	TTC-121210G	12	12	10	25	26.5	25	24.4	23	24	5	24	41.5	83	118
TTC-121212B	TTC-121212G	12	12	12	25	26.5	25	24.4	25	24.4	5	24	41.5	83	120
TTC-161010B	TTC-161010G	16	10	10	30	28.5	23	24	23	24	5	24	43.5	82	114
TTC-161210B	TTC-161210G	16	12	10	30	28.5	25	24.4	23	24	5	24	43.5	85	118
TTC-161212B	TTC-161212G	16	12	12	30	28.5	25	24.4	25	24.4	5	24	43.5	85	120
TTC-161616B	TTC-161616G	16	16	16	30	28.5	30	26	30	26	5	24	43.5	90	124
TTC-222222B	TTC-222222G	22	22	22	41	33.3	41	33.5	41	33.5	5.6	39	48.2	110	156
TTC-282222B	TTC-282222G	28	22	22	47	39	41	33.5	41	33.5	5.6	39	53.9	116	156
TTC-282822B	TTC-282822G	28	28	22	47	39	47	39.5	41	33.5	5.6	39	53.9	120	165
TTC-282828B	TTC-282828G	28	28	28	47	39	47	39.5	47	39.5	5.6	39	53.9	120	174

NFH



Black
 Gray

- Material: High Quality Polyamide6
- Temperature Range: -40° C to + 105° C
- Short Term: up to +150° C
- Self-Extinguishing: UL94-HB
Free of Halogen Phosphorous and cadmium
- Color: Black & Gray
- Application: Fixing tubes
By making more screw holes, the clip is more stable and the hinge cover is easy to use.
This new clip was developed to facilitate straight arrangement and be installable at any size.
- 재 질 : 고품질 폴리아미드6
- 적용온도범위 : -40° C + 105° C
- 순간최대온도 : up +150° C
- 자기소화성 : UL94-HB
Free of Halogen Phosphorous and cadmium
- 색 상 : 검정색, 회색
- 적 용 : 튜브를 고정시키기 위해 사용되는 커넥터. 커버를 힌지방식으로 결합하며 결합 후 강한충격에도 커버가 열리지 않으며 사이즈가 다른 제품과의 결합가능한 구조로 기능성과 효율성을 높임. 다수의 고정홀을 통해 설치장소의 제약을 감소시켰으며 튜브의 고정성을 더욱 높임.



NFH Type

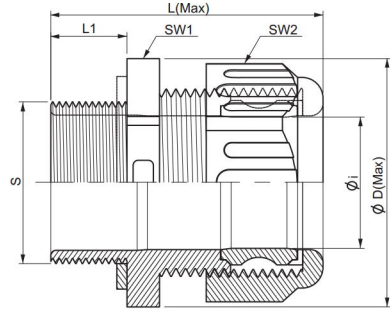
(dimensions in mm)

Order No.												
Black	Gray	For tube size	ØD	A	H	H1	B	B1	E	F	ØG	Bolt
NFH-07B	NFH-07G	07	10	16.6	20.5	17.9	14.5	10	-	-	5	1-M4
NFH-10B	NFH-10G	10	13	23	24.2	21.6	15	10	-	-	5	1-M4
NFH-12B	NFH-12G	12	16	27.5	25.7	22.5	33	14	10.6	-	5.4	3-M5
NFH-16B	NFH-16G	16	21.5	34.2	33	29.5	36	14	12	-	5.4	3-M5
NFH-22B	NFH-22G	22	29	45.5	42.2	38	38	14	12	-	6.4	3-M6
NFH-28B	NFH-28G	28	35	55	49.8	45.3	37	14	12.5	17	6.4	5-M6
NFH-36B	NFH-36G	36	42	66	59.5	54.3	41.5	14	13.5	18.75	6.4	5-M6
NFH-48B	NFH-48G	48	54	84.9	73.2	66.9	41.5	14	13.5	28	6.4	5-M6
NFH-56B	NFH-56G	56	66.8	98.6	86.3	79.7	52	19	17.75	32.3	6.4	5-M6
NFH-70B	NFH-70G	70	82	121	105.8	97.6	63	23	21.5	39.5	8.4	5-M8
NFH-95B	NFH-95G	95	105.6	155.4	136.3	125.8	82	30	28	51.7	8.4	5-M8

FCG IP68



■ Black
■ Gray



● G(PF) ● M ● Pg

- Material: High Quality Polyamide6
- Protective: IP 68 (EN 60529)
- Temperature Range: -40° C to + 105° C
- Short Term: up to +150° C
- Self-Extinguishing: UL94-HB
- Color: Black & Gray
- Application: Connector for control box radio box or cables from electric machine. water & dust, oil proof halogen free.

- 재 질 : 고품질 폴리아미드6
- 방 수 등급 : IP 68(EN 60529)
- 적용온도범위 : -40° C + 105° C
- 순간최대온도 : up +150° C
- 자기소화성 : UL94-HB
- 색 상 : 검정색, 회색
- 적 용 : 분전함, 제어함, 통신함 또는 각종 전기 기기로 부터 케이블을 인출할때 사용하는 커넥터. 방수, 방진, 방유구조가 확실하고 내절연, 내충격 및 난연성이 뛰어난 커넥터.

PF Thread (DIN 40430)

(dimensions in mm)

Order No.											
Black	Gray	Thread	Øi (Min)	Øi (Max)	S	L1	L	ØD	SW1	SW2	
FCG-G10B	FCG-G10G	G1/2"	3.5	6.5	20.9	15	43.9	25.4	22.6	18	
FCG-G12B	FCG-G12G	G1/2"	4	8	20.9	15	46.2	28.8	25.5	21.3	
FCG-G16B	FCG-G16G	G1/2"	7	12.3	20.9	15	47.2	28.6	25.4	25.4	
FCG-G1622B	FCG-G1622G	G1/2"	12	15.2	20.9	15	53.4	38.2	34	34	
FCG-G22B	FCG-G22G	G3/4"	12	18	26.4	15	53.4	38.2	34	34	
FCG-G228B	FCG-G228G	G3/4"	18	20.3	26.4	15	53.4	49	43.4	43.4	
FCG-G28B	FCG-G28G	G1"	18	26	33.2	15	53.4	49	43.4	43.4	
FCG-G36B	FCG-G36G	G1 1/4"	22	33	41.9	19	67.7	59	53	51.6	
FCG-G48B	FCG-G48G	G2"	36	42	59.6	19	69.7	74	66.5	67	

Metric Thread (EN 60423)

(dimensions in mm)

Order No.										
Black	Gray	Thread	Øi (Min)	Øi (Max)	S	L1	L	ØD	SW1	SW2
FCG-M10B	FCG-M10G	M12 X 1.5	3.5	6.5	12	15	43.9	25.4	22.6	18
FCG-M120B	FCG-M120G	M16 X 1.5	3.5	6.5	16	15	43.9	25.4	22.6	18
FCG-M102B	FCG-M102G	M12 X 1.5	4	7.1	12	15	46.2	28.8	25.5	21.3
FCG-M12B	FCG-M12G	M16 X 1.5	4	8	16	15	46.2	28.8	25.5	21.3
FCG-M162B	FCG-M162G	M20 X 1.5	4	8	20	15	46.2	28.8	25.5	21.3
FCG-M126B	FCG-M126G	M16 X 1.5	7	10.9	16	15	47.2	28.6	25.4	25.4
FCG-M16B	FCG-M16G	M20 X 1.5	7	12.3	20	15	47.2	28.6	25.4	25.4
FCG-M1622B	FCG-M1622G	M20 X 1.5	12	14.5	20	15	53.4	38.2	34	34
FCG-M22B	FCG-M22G	M25 X 1.5	12	18	25	15	53.4	38.2	34	34
FCG-M228B	FCG-M228G	M25 X 1.5	18	19.5	25	15	53.4	49	43.4	43.4
FCG-M28B	FCG-M28G	M32 X 1.5	18	26	32	15	53.4	49	43.4	43.4
FCG-M36B	FCG-M36G	M40 X 1.5	22	33	40	19	67.7	59	53	51.6
FCG-M48B	FCG-M48G	M50 X 1.5	36	42	50	19	69.7	74	66.5	67

Pg Thread (DIN 40424)

Black	Gray	Thread	Øi (Min)	Øi (Max)	S	L1	L	ØD	SW1	SW2
FCG-P07B	FCG-P07G	Pg07	3.5	6.5	12.5	15	43.9	25.4	22.6	18
FCG-P09B	FCG-P09G	Pg09	3.5	6.5	15.2	15	43.9	25.4	22.6	18
FCG-P072B	FCG-P072G	Pg07	4	8	12.5	15	46.2	28.8	25.5	21.3
FCG-P092B	FCG-P092G	Pg09	4	8	15.2	15	46.2	28.8	25.5	21.3
FCG-P11B	FCG-P11G	Pg11	4	8	18.6	15	46.2	28.8	25.5	21.3
FCG-P132B	FCG-P132G	Pg13.5	4	8	20.4	15	46.2	28.8	25.5	21.3
FCG-P162B	FCG-P162G	Pg16	4	8	22.5	15	46.2	28.8	25.5	21.3
FCG-P096B	FCG-P096G	Pg09	7	10.6	15.2	15	47.2	28.6	25.4	25.4
FCG-P116B	FCG-P116G	Pg11	7	12.3	18.6	15	47.2	28.6	25.4	25.4
FCG-P13B	FCG-P13G	Pg13.5	7	12.3	20.4	15	47.2	28.6	25.4	25.4
FCG-P16B	FCG-P16G	Pg16	7	12.3	22.5	15	47.2	28.6	25.4	25.4
FCG-P122B	FCG-P122G	Pg11	12	13.9	18.6	15	53.4	38.2	34	34
FCG-P1322B	FCG-P1322G	Pg13.5	12	14.8	20.4	15	53.4	38.2	34	34
FCG-P1622B	FCG-P1622G	Pg16	12	17.3	22.5	15	53.4	38.2	34	34
FCG-P21B	FCG-P21G	Pg21	12	18	28.3	15	53.4	38.2	34	34
FCG-P218B	FCG-P218G	Pg21	18	22.5	28.3	15	53.4	49	43.4	43.4
FCG-P29B	FCG-P29G	Pg29	18	26	37	15	53.4	49	43.4	43.4
FCG-P36B	FCG-P36G	Pg36	22	33	47	19	67.7	59	53	51.6
FCG-P48B	FCG-P48G	Pg48	36	42	59.3	19	69.7	74	66.5	67

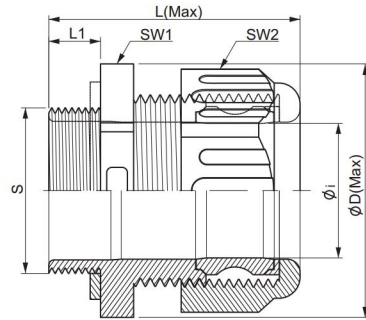


FCGL IP68



Black
 Gray

- Material: High Quality Polyamide6
- Protective: IP 68 (EN 60529)
- Temperature Range: -40° C to + 105° C
- Short Term: up to +150° C
- Self-Extinguishing: UL94-HB
- Color: Black & Gray
- Application: Connector for control box radio box or cables from electric machine.
water & dust, oil proof halogen free.



G(PF)
 M
 Pg

- 재 질 : 고품질 폴리아미드6
- 방 수 등급 : IP 68(EN 60529)
- 적용온도범위 : -40° C + 105° C
- 순간최대온도 : up +150° C
- 자기소화성 : UL94-HB
- 색 상 : 검정색, 회색
- 적 용 : 케이블그랜드는 분전함, 제어함, 통신함 또는 각종 전기 기기로 부터 케이블을 인출할때 사용하는 커넥터. 방수, 방진, 방유구조가 확실하고 내절연, 내충격 및 난연성이 뛰어난 커넥터.

PF Thread (JIS B0204)

(dimensions in mm)

Order No.										
Black	Gray	Thread	Øi (Min)	Øi (Max)	S	L1	L	ØD	SW1	SW2
FCGL-G10B	FCGL-G10G	G1/2"	3.5	6.5	20.9	9	37.9	25.4	22.6	18
FCGL-G12B	FCGL-G12G	G1/2"	4	8	20.9	9	40.2	28.8	25.5	21.3
FCGL-G16B	FCGL-G16G	G1/2"	7	12.3	20.9	9	41.2	28.6	25.4	25.4

Metric Thread (EN 60423)

FCGL-M10B	FCGL-M10G	M12 X 1.5	3.5	6.5	12	9	37.9	25.4	22.6	18
FCGL-M120B	FCGL-M120G	M16 X 1.5	3.5	6.5	16	9	37.9	25.4	22.6	18
FCGL-M102B	FCGL-M102G	M12 X 1.5	4	7.1	12	9	40.2	28.8	25.5	21.3
FCGL-M12B	FCGL-M12G	M16 X 1.5	4	8	16	9	40.2	28.8	25.5	21.3
FCGL-M162B	FCGL-M162G	M20 X 1.5	4	8	20	9	40.2	28.8	25.5	21.3
FCGL-M126B	FCGL-M126G	M16 X 1.5	7	10.9	16	9	41.2	28.6	25.4	25.4
FCGL-M16B	FCGL-M16G	M20 X 1.5	7	12.3	20	9	41.2	28.6	25.4	25.4
FCGL-M216B	FCGL-M216G	M25 X 1.5	7	12.3	25	9	41.2	28.6	25.4	25.4

Pg Thread (DIN 40424)

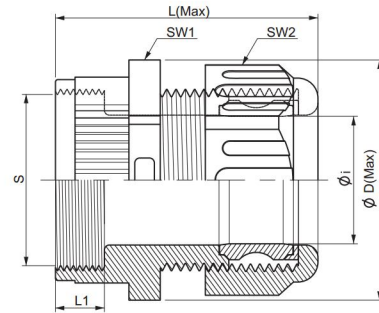
FCGL-P09B	FCGL-P09G	Pg09	3.5	6.5	15.2	9	37.9	25.4	22.6	18
FCGL-P092B	FCGL-P092G	Pg09	4	8	15.2	9	40.2	28.8	25.5	21.3
FCGL-P11B	FCGL-P11G	Pg11	4	8	18.6	9	40.2	28.8	25.5	21.3
FCGL-P132B	FCGL-P132G	Pg13.5	4	8	20.4	9	40.2	28.8	25.5	21.3
FCGL-P162B	FCGL-P162G	Pg16	4	8	22.5	9	40.2	28.8	25.5	21.3
FCGL-P116B	FCGL-P116G	Pg11	7	12.3	18.6	9	41.2	28.6	25.4	25.4
FCGL-P13B	FCGL-P13G	Pg13.5	7	12.3	20.4	9	41.2	28.6	25.4	25.4
FCGL-P16B	FCGL-P16G	Pg16	7	12.3	22.5	9	41.2	28.6	25.4	25.4

TICG



Black
 Gray

- Material: High Quality Polyamide6
- Protective: IP 68 (EN 60529)
- Temperature Range: -40° C to + 105° C
- Short Term: up to +150° C
- Self-Extinguishing: UL94-HB
- Free of Halogen Phosphorous and cadmium
- Color: Black & Gray
- Application: Connector for control box radio box or cables from electric machine.
water & dust, oil proof halogen free.



G(PF) M Pg

- 재 질 : 고품질 폴리아미드6
- 방 수 등급 : IP 68(EN 60529)
- 적용온도범위 : -40° C + 105° C
- 순간최대온도 : up +150° C
- 자기소화성 : UL94-HB
- Free of Halogen Phosphorous and cadmium
- 색 상 : 검정색, 회색
- 적 용 : 케이블그랜드는 분전함, 제어함, 통신함 또는 각종 전기 기기로 부터 케이블을 인출할때 사용하는 커넥터. 방수, 방진, 방유구조가 확실하고 내절연, 내충격 및 난연성이 뛰어난 커넥터.

UNEF Thread (MIL 5015)

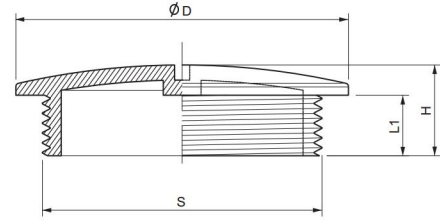
(dimensions in mm)

Order No.											
Black	Gray	Thread	Steel size	Øi (Min)	Øi (Max)	L1	L	ØO	ØD	SW1	SW2
TICG-U1010B	TICG-U1010G	1/2-28UNEF	8S, 10S	3.5	6.5	10	43.9	18.4	25.4	22.6	18
TICG-U1210B	TICG-U1210G	5/8-24UNEF	10SL, 12S	3.5	6.5	10	43.9	20.6	25.4	22.6	18
TICG-U1410B	TICG-U1410G	3/4-20UNEF	14, 14S	3.5	6.5	10	43.9	24	25.4	22.6	18
TICG-U1610B	TICG-U1610G	7/8-20UNEF	16, 16S	3.5	6.5	10	43.9	28	25.4	22.6	18
TICG-U1810B	TICG-U1810G	1-20UNEF	18	3.5	6.5	10	43.9	31	25.4	22.6	18
TICG-U2010B	TICG-U2010G	1 3/16-18UNEF	20, 22	3.5	6.5	10	43.9	35.5	25.4	22.6	18
TICG-U2810B	TICG-U2810G	1 7/16-18UNEF	24, 28	3.5	6.5	10	43.9	42	25.4	22.6	18
TICG-U1212B	TICG-U1212G	5/8-24UNEF	10SL, 12S	4	8	10	46.2	20.6	28.8	25.5	21.3
TICG-U1412B	TICG-U1412G	3/4-20UNEF	14, 14S	4	8	10	46.2	24	28.8	25.5	21.3
TICG-U1612B	TICG-U1612G	7/8-20UNEF	16, 16S	4	8	10	46.2	28	28.8	25.5	21.3
TICG-U1812B	TICG-U1812G	1-20UNEF	18	4	8	10	46.2	31	28.8	25.5	21.3
TICG-U2012B	TICG-U2012G	1 3/16-18UNEF	20, 22	4	8	10	46.2	35.5	28.8	25.5	21.3
TICG-U2812B	TICG-U2812G	1 7/16-18UNEF	24, 28	4	8	10	46.2	42	28.8	25.5	21.3
TICG-U1616B	TICG-U1616G	7/8-20UNEF	16, 16S	7	12.3	10	47.2	28	28.6	25.4	25.4
TICG-U1816B	TICG-U1816G	1-20UNEF	18	7	12.3	10	47.2	31	28.6	25.4	25.4
TICG-U2016B	TICG-U2016G	1 3/16-18UNEF	20, 22	7	12.3	10	47.2	35.5	28.6	25.4	25.4
TICG-U2816B	TICG-U2816G	1 7/16-18UNEF	24, 28	7	12.3	10	47.2	42	28.6	25.4	25.4
TICG-U2222B	TICG-U2222G	1 3/16-18UNEF	20, 22	12	18	10	53.4	35.5	38.2	34	34
TICG-U2822B	TICG-U2822G	1 7/16-18UNEF	24, 28	12	18	10	53.4	42	38.2	34	34
TICG-U3222B	TICG-U3222G	1 3/4-18UNS	32	12	18	10	53.4	50	38.2	34	34
TICG-U3622B	TICG-U3622G	2-18UNS	36	12	18	10	53.4	56.5	38.2	34	34
TICG-U3228B	TICG-U3228G	1 3/4-18UNS	32	18	26	10	53.4	50	49	43.4	43.4
TICG-U3628B	TICG-U3628G	2-18UNS	36	18	26	10	67.7	56.5	59	53	51.6
TICG-U3636B	TICG-U3636G	2-18UNS	36	22	33	10	69.7	56.5	74	66.5	67

BBS CPS NUT



■ Gray
□ White



Resistant to impact, made of Polyamide, according to DIN 46320

- Material: High Quality Polyamide6
- Temperature Range: -30° C to + 80° C
- Operating temperature: +150°C intermittent
- Color: Black & White

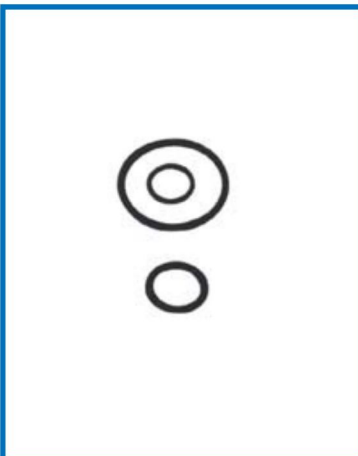
- 재 질 : 고품질 폴리아미드6
- 적용온도범위 : -30° C + 80° C
- 적용 온도 : +150 intermittent
- 색상 : 검정색, 흰색

Pg Thread

(dimensions in mm)

Order No.						
White	Gray	Thread	S	L1	H	QD
BBS-P07W	BBS-P07G	Pg07	12.5	6	8	15
BBS-P09W	BBS-P09G	Pg09	15.2	6	9	19
BBS-P11W	BBS-P11G	Pg11	18.6	6	10	22
BBS-P13W	BBS-P13G	Pg13.5	20.4	6	10	25
BBS-P16W	BBS-P16G	Pg16	22.5	6	10	27
BBS-P21W	BBS-P21G	Pg21	28.3	8	12	33
BBS-P29W	BBS-P29G	Pg29	37	8	12	44
BBS-P36W	BBS-P36G	Pg36	47	10	15	55

FWH CPS WASHER



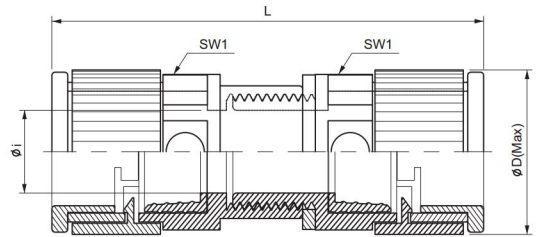
Order No.		
PF(G) Thread	Metric Thread	Pg Thread
-	-	FWH-P07
FWH-G10	FWH-M10	FWH-P09
FWH-G12	FWH-M12	FWH-P11
FWH-G16	FWH-M16	FWH-P13
FWH-G22	FWH-M22	FWH-P16
FWH-G28	FWH-M28	FWH-P21
FWH-G36	FWH-M36	FWH-P29
FWH-G42	-	FWH-P36
FWH-G48	FWH-M48	FWH-P48

TNSC



Black
 Gray

- Material: High Quality Polyamide6
- Protective: IP 67 (EN 60529)
- Temperature Range: -40° C to + 105° C
- Self-Extinguishing: UL94-HB
Free of Halogen Phosphorous and cadmium
- Operating temperature: +150°C intermittent
- Color: Black & Gray
- Application: The connector which can connect tube and tube each other.



G(PF) M Pg NFH

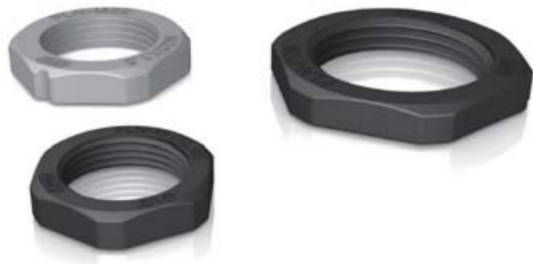
- 재 질 : 고품질 폴리아미드6
- 방 수 등급 : IP 68(EN 60529)
- 적용온도범위 : -40° C + 105° C
- 순간최대온도 : up + 150° C
- 자기소화성 : UL94-HB
Free of Halogen Phosphorous and cadmium
- 색 상 : 검정색, 회색
- 적 용 : 튜브와 튜브를 연결하는 커넥터.

(dimensions in mm)

Order No.							
Black	Gray	For tube size	L	Qi	QD	SW1	SW2
TNSC-10B	TNSC-10G	10 + 10	70	8	25	19.8	19.8
TNSC-12B	TNSC-12G	12 + 12	71	11	25	22.7	22.7
TNSC-16B	TNSC-16G	16 + 16	72	12.5	30	28	28
TNSC-22B	TNSC-22G	22 + 22	90	19	41	37.5	37.5
TNSC-28B	TNSC-28G	28 + 28	100	22	47	43	43
TNSC-36B	TNSC-36G	36 + 36	122	30	56	52.2	52.2
TNSC-48B	TNSC-48G	48 + 48	133	42	68	64.1	64.1



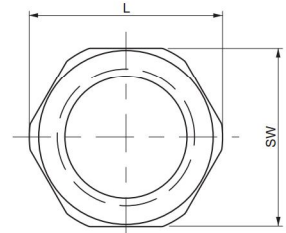
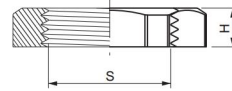
FLN / SLN



FLN •Material: Polyamide ■ Black ■ Gray



SLN •Material: Brass+Nickel Plated ■ Steel



PF Thread

(dimensions in mm)

Order No.						
Black	Gray	Thread	S	H	L	SW
FLN-G07B	FLN-G07G	G1/4"	13	6	20.7	19
FLN-G10B	FLN-G10G	G1/2"	20.9	6	29.5	27.3
FLN-G12B	FLN-G12G	G1/2"	20.9	6	29.5	27.3
FLN-G16B	FLN-G16G	G1/2"	20.9	6	29.5	27.3
FLN-G22B	FLN-G22G	G3/4"	26.4	6.8	38.4	36
FLN-G28B	FLN-G28G	G1"	33.2	6.8	47.8	44
FLN-G36B	FLN-G36G	G1 1/4"	41.9	8	52.3	49
FLN-G42B	FLN-G42G	G1 1/2"	47.8	8	72.3	65
FLN-G48B	FLN-G48G	G2"	59.6	8	76.5	70

PF Thread

Order No.
SLN-G07
SLN-G10
SLN-G12
SLN-G16
SLN-G22
SLN-G28
SLN-G36
SLN-G42
SLN-G48

Metric Thread

FLN-M10B	FLN-M10G	M12 X 1.5	12	6	18.5	17
FLN-M12B	FLN-M12G	M16 X 1.5	16	6	23.9	22
FLN-M16B	FLN-M16G	M20 X 1.5	20	6	27.8	26
FLN-M22B	FLN-M22G	M25 X 1.5	25	6.8	35.3	33
FLN-M28B	FLN-M28G	M32 X 1.5	32	6.8	43.4	40
FLN-M36B	FLN-M36G	M40 X 1.5	40	8	55.8	50
FLN-M48B	FLN-M48G	M50 X 1.5	50	8	67.1	60

M Thread

SLN-M10
SLN-M12
SLN-M16
SLN-M22
SLN-M28
SLN-M36
SLN-M48

Pg Thread

FLN-P07B	FLN-P07G	Pg07	12.5	4	21.1	19
FLN-P09B	FLN-P09G	Pg09	15.2	4	23.9	22
FLN-P11B	FLN-P11G	Pg11	18.6	6	25.8	24
FLN-P13B	FLN-P13G	Pg13.5	20.4	6	28.7	27
FLN-P16B	FLN-P16G	Pg16	22.5	6	32.1	30
FLN-P21B	FLN-P21G	Pg21	28.3	6.8	38.5	36
FLN-P29B	FLN-P29G	Pg29	37	6.8	49.7	46
FLN-P36B	FLN-P36G	Pg36	47	8	66.5	60
FLN-P48B	FLN-P48G	Pg48	59.3	8	78.1	70.2

Pg Thread

SLN-P07
SLN-P09
SLN-P11
SLN-P13
SLN-P16
SLN-P21
SLN-P29
SLN-P36
SLN-P48

APPLICATION / CPSFLEX & CPSFIX

SHIFT CHAIN

SAEN CHAIN

REVOLVING CHAIN

HELIX CHAIN

ROBOT-KIT

CPSFLEX

CPSFIX



CPSFIX is available for Use in dense Areas.
CPSFIX는 밀집된 구조에 용이합니다.



CPSFIX can be applied in any circumstance, since we are producing diverse forms.
다양한 형태의 커넥터와 캐넌접속용 커넥터를 생산하므로 CPSFIX는 어떠한 환경에도 적용될수 있습니다.

We are fully equipped with diverse thread standard products, NPT, UNEF etc.
CPS는 PF, PG, M, NPT, UNEF등의 다양한 나사규격에 맞는 커넥터를 구비하고 있습니다.



CPSFIX has excellent water proof. It is applied to the overall industry, maintaining IP 67,when it combines with CPSFLEX.

CPSFIX 는 뛰어난 방수성을 가지고 있어 CPSFLEX와 결합했을때 IP67을 유지하면서 산업 전반적으로 적용될 수 있습니다.

CPSFIX and CPSFLEX protect cables In crowded spaces effectively.
CPSFIX와 CPSFLEX는 복잡한 공간에서 케이블을 효율적으로 보호합니다.

CPSFLEX, which can bear ultraviolet rays, is applied to the vehicle welding line, engine line and crane.

CPSFLEX는 자외선에 강하며 자동차 용접라인과 엔진라인, 크레인 등 에서 사용될 수 있습니다.

CPSFLEX and CPSFIX are applied to Magnetic Levitation Train and Electric Tramway with excellent flame retardant and non-toxic effect. The quality is approved worldwide and they are Widely to the overseas project.

CPSFLEX와 CPSFIX는 뛰어난 난연효과와 무독성으로 자기부상열차와 전동차에 적용되고 있으며 세계적으로 품질을 인정받아 해외 프로젝트에 채택되고 있습니다.

CPSFLEX can bear -40 degree to +150 degree and can be used outside.
We are fully equipped with diverse products with flame retardant or non-flame retardant etc.

CPSFLEX는 영하40°에서 영상 150°까지 견딜 수 있어 외부에서 사용이 가능합니다.
또한 당사는 난연뿐 아니라 비난연 등의 다양한 제품을 완벽하게 구비하고 있습니다.

APPLICATION IMAGE / 적용 이미지



APPLICATION IMAGE / 적용 이미지

SHIFT CHAIN

SAEN CHAIN

REVOLVING CHAIN

HELIX CHAIN

ROBO-KIT

OPSTILEX

CPSFIX



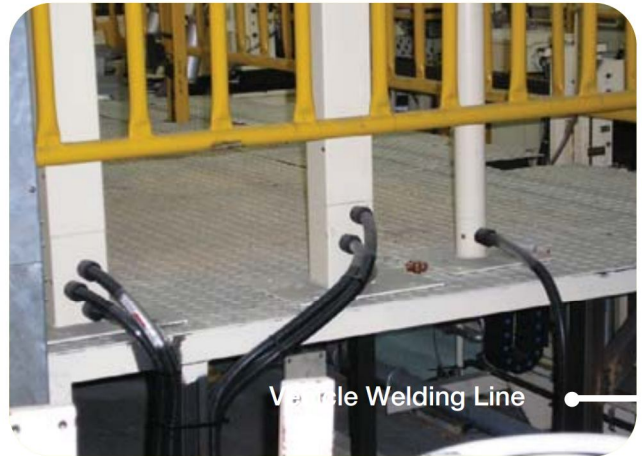
Machining Center



Machine Tool



Machine Tool



Variable Welding Line

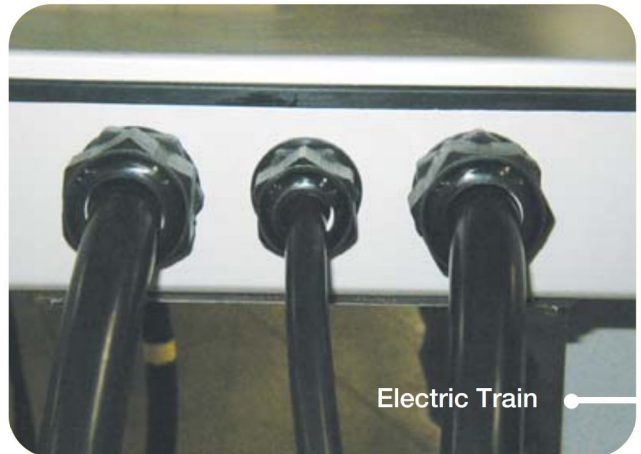
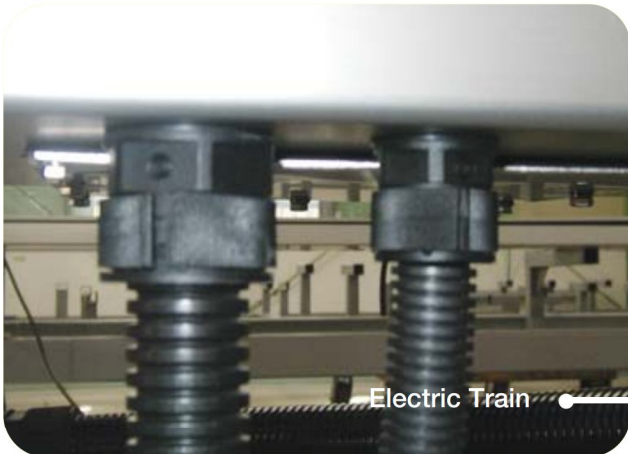


Electric Train



Electric Train

APPLICATION IMAGE / 적용 이미지



APPLICATION IMAGE / 적용 이미지



Vehicle Production Line Electric Display



Machine Tool



Machine Tool



LNG Vessel



Axis shell



Chining Center Panel

SHIFT CHAIN

SAEN CHAIN

REVOLVING CHAIN

HEIX CHAIN

ROBO-KIT

OP-STELEX

OP-SIFIX



CHEMICAL TEST

Chemical resistance of Polyamide Detailed information on request

acetone	resistant	potashlye, watery	resistant
ammonia	resistant	propane, liquid	resistant
arsenic acid, water	resistant		
beer	resistant	sel solution, watery	resistant
benzol	resistant	sea water	resistant
borax, watery	resistant	sebum	resistant
boron acid, watery	conditional resistant	sillicic acid, watery	resistant
butance, gaseous	resistant	skydrol	resistant
		soap suds	resistant
		sodium chloride	resistant
calcium chloride, watery	resistant	sodium hydroxide	resistant
carbon disulphide	resistant	sparks erosion liquids	resistant
carbonic acid	resistant	starch, white	resistant
copper sulphate, watery	conditional resistant	stearin acid	resistant
		sulphuric acid	non-resistant
diesel oil, watery	resistant		
		terpentine	resistant
ethyl acetate	resistant	toluol	resistant
ethyl ether	resistant	transformer oil	resistant
ethyl alcohol	conditional resistant		
		urine	resistant
fatty acid conditional	resistant		
fruit juice	resistant	vinegar and acetic acid, watery	resistant
formic acid, watery	non-resistant		
		wine acid, watery	non-resistant
glucose, watery	resistant		
glycerine	resistant	xylol	resistant
heating oil	resistant	zinc sulphate, watery	conditional resistant
hydraulics oil	resistant	zyan potash, watery	resistant
hydrogen	resistant	Oil and Grease	
hydrogen sulphide	resistant	- mineral without additive, at20°C	resistant
		- ASTM oil no1, 20°C	resistant
iron chloride	conditional resistant	- ASTM oil no2, 20°C	resistant
		- ASTM oil no3, 20°C	resistant
lactic acid, watery	conditional resistant	- animal	resistant
		- vegetable	resistant
methyl acetate	resistant	- transformer oil(pyranole)	resistant
methyl alcohol	resistant	- on silicone basis	resistant
mineral oil	resistant	- diesel oil	resistant
		- heating	resistant
nitric acid, hydrochloride acid, watery	non-resistant	- hydraulic oil based on	
		- mineral oil	resistant
ozone	conditional resistant	- phoshate ester	resistant
		- drilling oil	resistant
paraffin	resistant	- cutting oil	resistant
petrol	resistant		
phosphoric acid, watery	resistantpoash lye,		

Made of Protection

code Degree of Protection (Water)

Protection against contacting and penetrating foreign materials			Protection against fluids		
FIRST INDEX			SECOND INDEX		
CODE	Degree of Protection(contact and foreign materials)		CODE	Degree of Protection(contact and foreign materials)	
0	no protection	no contact protection, no protection against solid foreign materials.	0	no protection	no protection against water
1	protection against arge foreign materials	protection against large contact area with hands, protection against foreign materials with $\phi >50\text{mm}$.	1	protection against dripping water	protection against vertical water drops
2	protection against medium-sized foreign materials	protection against contact with fingers, protection against foreign materials with $\phi >12\text{mm}$.	2	protection against inclined water drops	protection against inclined water drops (any $<$ up to 15° to vertical line)
3	protection against small foreign materials	protection against tool contact, wire or the like with $\phi >12\text{mm}$, protection against foreign material with $\phi >2.5\text{mm}$.	3	protection against spray water	protection against splash water from all directions, 60° to vertical line
4	protection against foreign grains	see 3, but $\phi >1\text{mm}$.	4	protection against splash water	protection against splash water from all directions.
5	protection against dual deposits.	full contact protection, protection against dust deposits inside.	5	protection against jet water	protection against water jets from any $<$
6	protection against	full contact protection, protection against dust penetration	6	protection against flooding	protection against temporary flooding.
			7	protection against immersion	protection against water penetration 1m below water
			8	protection against submersion	protection against pressure water for an indefinite time(customer tailored)

example : code IP67

All techincal details without engagement. All dimensions in mm. Changes without announcement, Range of tolerance : $\pm 10\%$