

Process displays

LED process displays

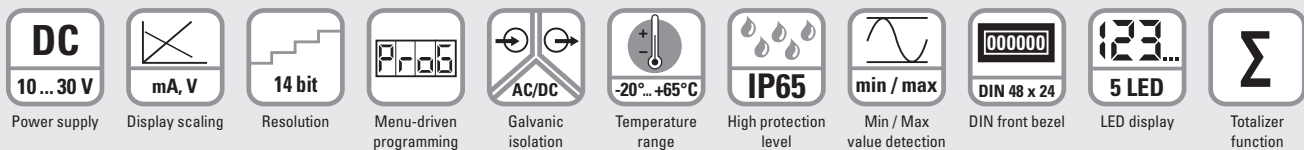
Standard signals with Min / Max value detection, totalizer

Codix 534



Cost-effective standard signal display for front panel mount with scalable bright 5-digit LED display.

The 14 bit resolution ensures an accurate measuring value display range with minimum and maximum value detection and scalable totalizer for time-controlled summation of the measured value.



Product features

- Input range:
1 current measuring input, 1 voltage measuring input.
- Compact display for standard signals.
- Display range -19 999 ... 99 999 with leading zeros suppression and programmable decimal point.
- Modern industrial design.
- Fast measuring time of max. 0.1 second.

Benefits

- Galvanic isolation with protection against incorrect polarity.
- Autom. Min / Max value detection.
- Totalizer with programmable factor, divisor and decimal point.
- Freely programmable characteristic curve end points to adapt the desired display value.
- Input for display hold or reset input for Min / Max value and totalizer.

Order no.

Display for analog signals with Min / Max value detection and totalizer

6.534.012.300 ¹⁾

Delivery specification

- Digital display
- Mounting clip
- Gasket
- Front bezel for screw mounting (T008181) 56 x 40 mm [2.20 x 1.57"], panel cut-out 50 x 25 mm [1.97 x 0.98"]
- Front bezel for clip mounting (T008180) 53 x 28 mm [2.09 x 1.10"], panel cut-out 50 x 25 mm [1.97 x 0.98"]
- 1 set of self-adhesive symbols
- Instruction manual, multilingual

1) Stock types.

Process displays

LED process displays Standard signals with Min/Max value detection, totalizer Codix 534

| Accessories | Dimensions in mm [inch] | Order no. |
|--|---|-------------------|
| Adapter front bezel, 72 x 36 [2.83 x 1.42] | for cut-out 68 x 33 [2.68 x 1.30] to cut-out 45 x 22.2 [1.77 x 0.87], for counters 48 x 24 [1.89 x 0.94], as set black and silver anodized | 162704 Set |
| Adapter front bezel, 48 x 48 [1.89 x 1.89] | for cut-out 45 x 45 [1.77 x 1.77] to cut-out 45 x 22.2 [1.77 x 0.87], with clip mounting for counters 48 x 24 [1.89 x 0.94] black | T008883 |
| Adapter front bezel, 60 x 50 [2.36 x 1.97] | for cut-out 54 x 29 [2.13 x 1.14] to cut-out 45 x 22.2 [1.77 x 0.87], with screw mounting and gasket for counters 48 x 24 [1.89 x 0.94] black | N003001 |
| Transparent cover, lockable, IP65 | for cut-out 54 x 29 [2.13 x 1.14], for screw mounting to front bezel F1B or adapter front bezel N003001, for counters with cut-out 50 x 25 [1.97 x 0.98] or 45 x 22.2 [1.77 x 0.87] | N003002 |
| Sealing cover type K1, IP65 | suitable for front bezel 60 x 50 [2.36 x 1.97], for screw mounting of electromech. counters and via adapter front bezel N003001 for counters 48 x 24 [1.89 x 0.94] | G008301 |
| Mounting frame with cut-out 50 x 25 [2.36 x 1.97] via separate adapter also for 45 x 22.2 [1.77 x 0.87] | for snap-on mounting on 35 [1.38] top-hat DIN rail, for counters 53 x 28 [2.09 x 1.10] and via separate adapter (T008180) for counters 48 x 24 [1.89 x 0.94] chromated | G300004 |

Suitable gaskets, other accessories and installation examples for optional accessories can be found in chapter accessories or in the accessories section under: www.kuebler.com/accessories.

Technical data

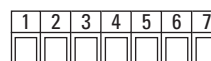
| General technical data | |
|------------------------------|---|
| Display | 5 digits, red 7 segment LED display; 8 mm [0.32"] high |
| Measuring rate | 10 measurements/second |
| Data backup | EEPROM |
| Operating temperature | -20°C ... +65°C [-4°F ... +149°F] (non-condensing) |

| Electrical characteristics | |
|----------------------------|--|
| Power supply | 10 ... 30 V DC, galvanically isolated with integrated reverse polarity protection |
| Current consumption | max. 50 mA |
| EMC standards | EN 55011 class B EN 61000-6-2, EN 61000-6-3 EN 61326-1 |
| UL approval | file E128604 |

| Mechanical characteristics | |
|--|--|
| Housing | front panel mount 48x24 mm [1.89 x 0.94"] acc. to DIN 43700; RAL 7021, dark grey |
| Protection | IP65 (front side) |
| Weight | approx. 50 g [1.76 oz] |
| Vibration resistance acc. to EN 60068-2-6 | 10 ... 55 Hz / 1 mm [0.04"] / 30 min |
| Shock resistance acc. to EN 60068-2-27 | 100 G: 2 ms 10 G: 6 ms |
| Connections | screw terminal, pitch 5.08 mm [2"], 7 pin |

| Inputs | |
|----------------------------------|--|
| Input current measurement | 0 ... 20 mA (display range 0.5 ... 20.5 mA, programmable) 4 ... 20 mA (display range 3.5 ... 20.5 mA, programmable) |
| Voltage drop | max. 1,5 V DC |
| Input voltage measurement | 0 ... 10 V (display range 0.5 ... 10.5 V, programmable) 2 ... 10 V (display range 1.5 ... 10.5 V, programmable) input resistance approx. 1 MΩ max. input signal level 30 V DC |
| Control inputs | HIGH 4 ... 30 V DC Display hold LOW 0 ... 2 V DC |
| Resolution | 14 bit |
| Accuracy | < 0.1 % for the whole measuring range at an operating temperature of 20°C [68°F] |
| Temperature drift | < 70 ppm/K _{Ambient} |

Terminal assignment



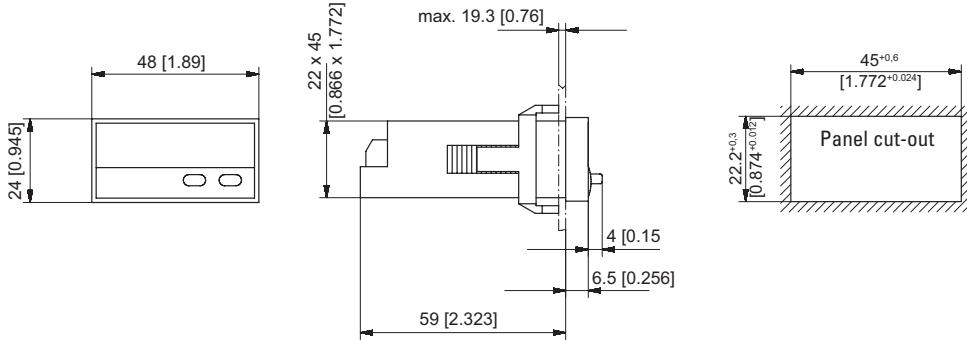
| PIN | |
|-----|-------------------|
| 1 | 10 ... 30 V DC |
| 2 | GND |
| 3 | GND |
| 4 | Latch |
| 5 | 0 (4) ... 20 mA |
| 6 | Analog GND |
| 7 | 0 (2) ... 10 V DC |

Process displays

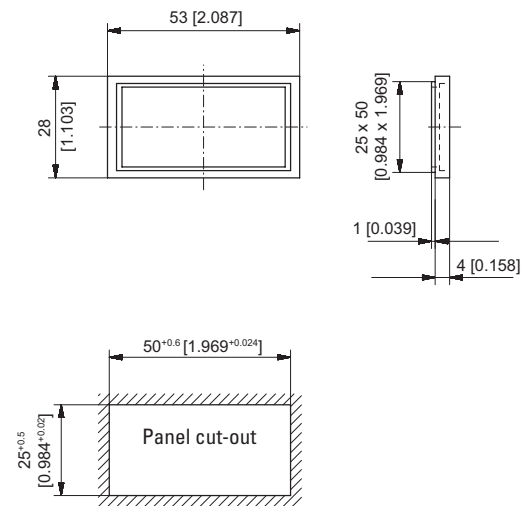
LED process displays **Standard signals with Min/Max value detection, totalizer** **Codix 534**

Dimensions

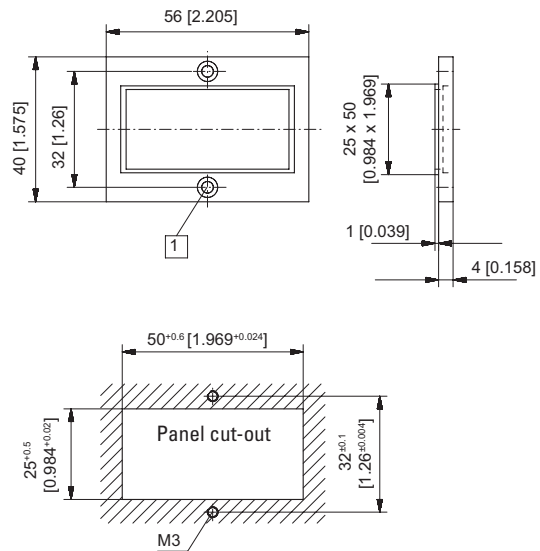
Dimensions in mm [inch]



Front bezel for clip mounting (included in delivery)



Front bezel for screw mounting (included in delivery)



1 Countersinking Af3, DIN 74