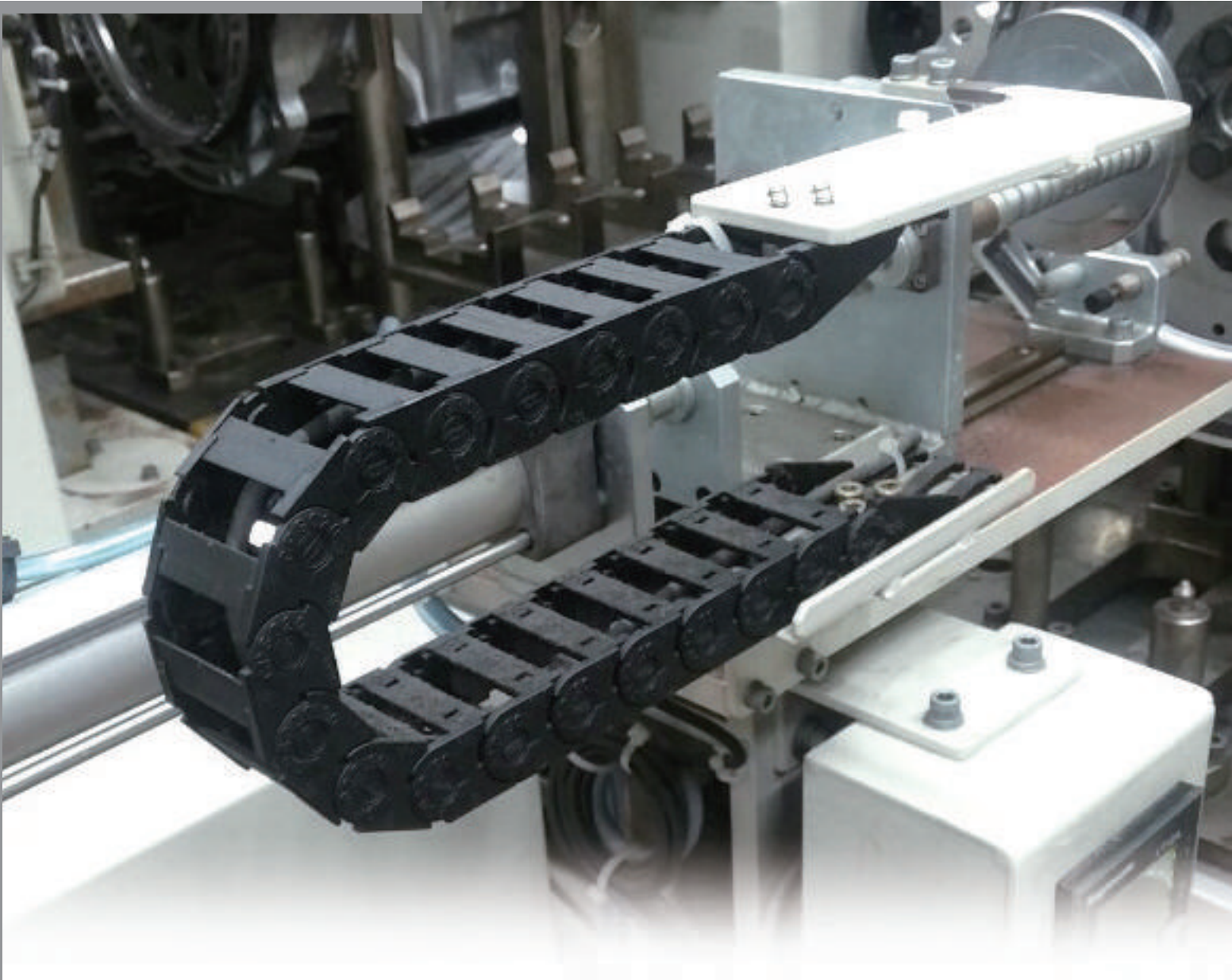


CPS mini chain



» General information

Item	Value
Material	CPS-Amid(PA6+GF), RoHs
Noise range	40dB(DIN EN 61672-1)
Speed	3m/s
Acceleration	10m/s ²
Temperature	-30°C ~+130°C
Special production	ESD, UV
Certificate	CE, ATEX(Ex)

» Calculation table

Item	Value
Length of Cable Chain	$L = \frac{1}{2} \times LS + LP$
Bending Radius	
The biggest Cable inserted	Multiply 8~10 and the biggest cable
The biggest Hydraulic Hose inserted	Multiply 15~20 and the biggest hose

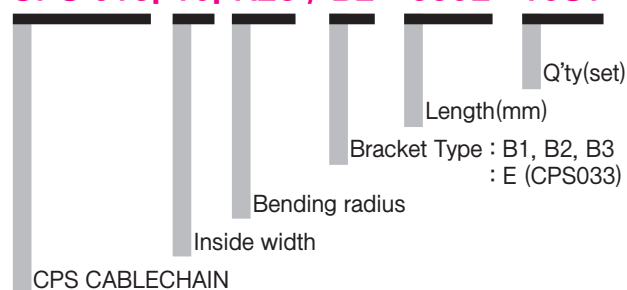
» Dimension table

CPS Cable Chain MINI Type	Pitch	Bending Radius(R)	Weight kg/m	Speed m/sec	Temperature °C	Size				Frame type	Section - composition
						A	B	C	D		
CPS 015	15	18, 28, 38	0,100	3	-30 ~ +130	12,6	13	6	10		
			0,106			16,6		10			
			0,111			21,6		15			
			0,115			26,6		20			
CPS 020	20	28, 38, 48	0,245	3	-30 ~ +130	24	20	15	14,5		
			0,260			29		20			
			0,285			39		30			
			0,310			49		40			
CPS 030	30	38, 48, 75, 100	0,380	3	-30 ~ +130	29	26	15	19		
			0,400			39		25			
			0,420			49		35			
			0,440			64		50			
CPS 033	33	35, 45, 75, 100, 120	0,550	3	-30 ~ +130	45	31	27	23		
			0,590			55		37			
			0,610			65		47			
			0,680			85		67			
			0,700			95		77			

(Dimensions in mm)

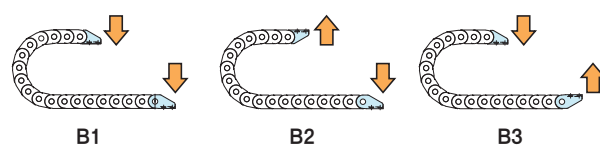
» Ordering

CPS 015, 10, R28 / B2 - 550L : 10ST

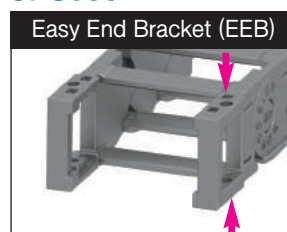


» Bracket type

- CPS015, CPS020, CPS030



- CPS033

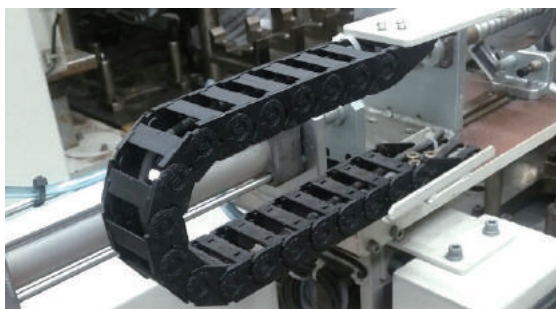


There are fixing holes of two directions including upper side and lower side.

» Application of CPS mini Chain

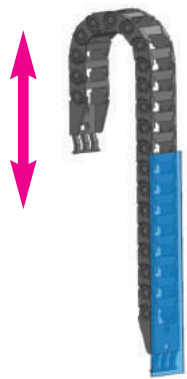
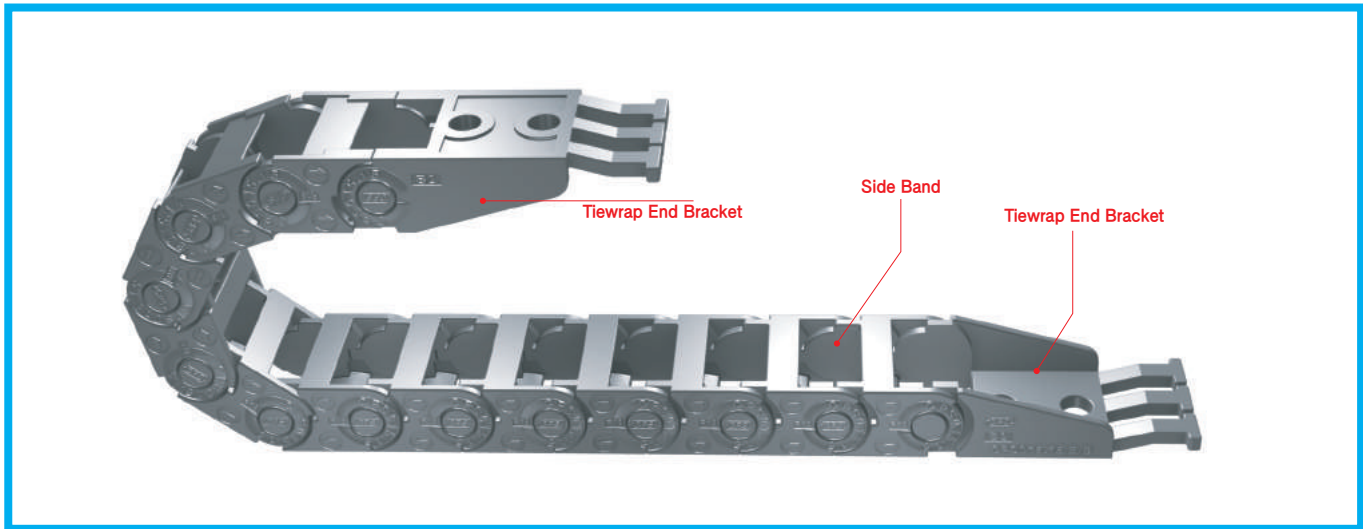


▲ Factory lines.

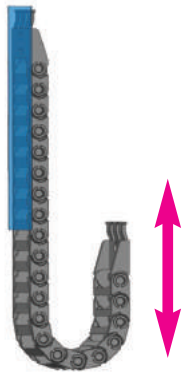


▲ Machine tools.

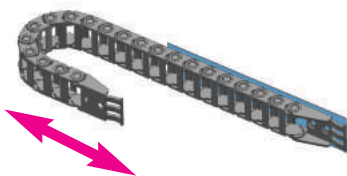
CPS 015



Vertical with curve above



Vertical with curve below



Horizontal application mounted on its side

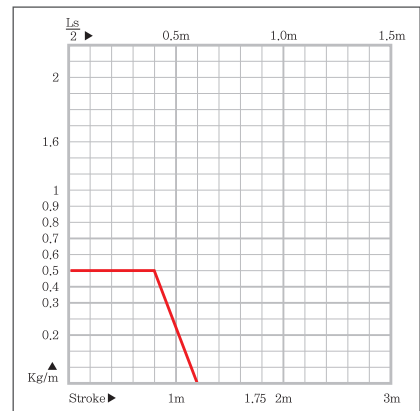
» Calculation of the chain length

$$\left[L = \frac{L_s}{2} + L_p \right]$$

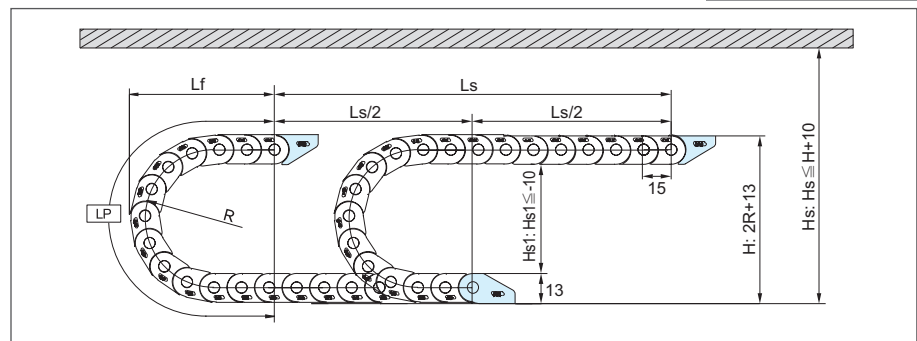
» Other installation length

Vertical curve above = max 0,8m
 Vertical curve below = max 3,0m
 Side Mounted, Unsupported = max 0,2m

» Load diagrams self-supporting length



» Layout of the chain



Ls: Stroke Hs: Safe Space

Bending Radius (R)	Lp Loop Length	Lf Loof Projection	H Moving Height
18	117	55	49
28	148	65	69
38	180	75	89

(Dimensions in mm)

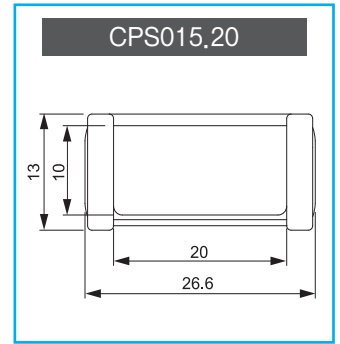
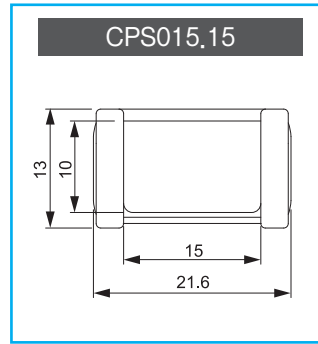
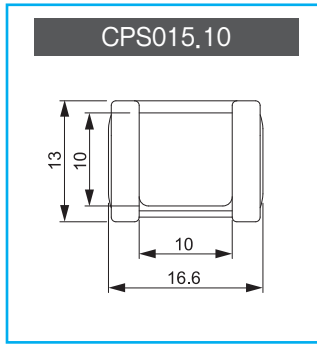
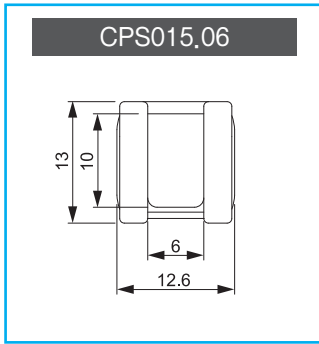
» Chain radius, Weight

Chain Type	Bending Radius (R)	Weight kg/m
CPS 015,06	18, 28, 38	0,100
CPS 015,10		0,106
CPS 015,15		0,111
CPS 015,20		0,115

(Dimensions in mm)

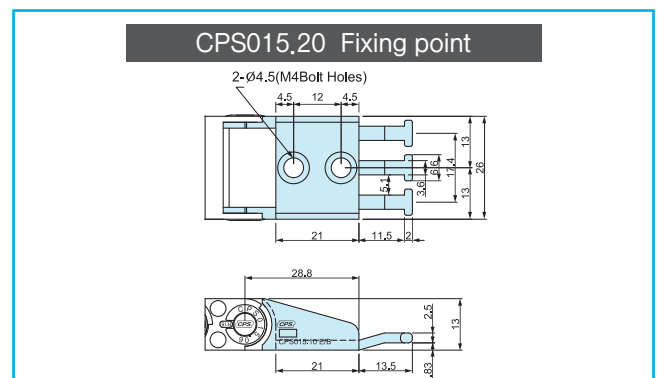
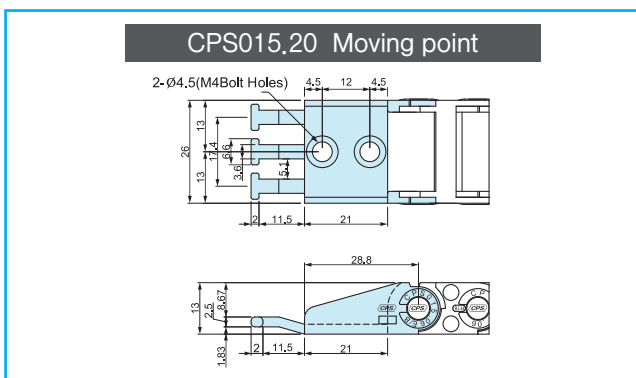
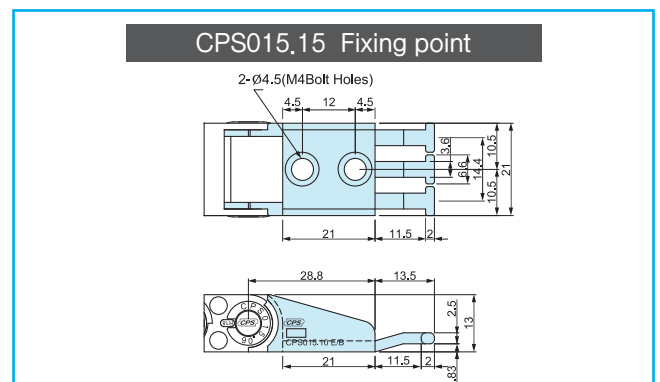
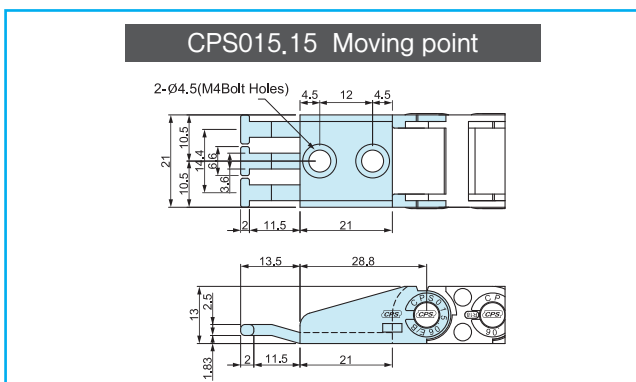
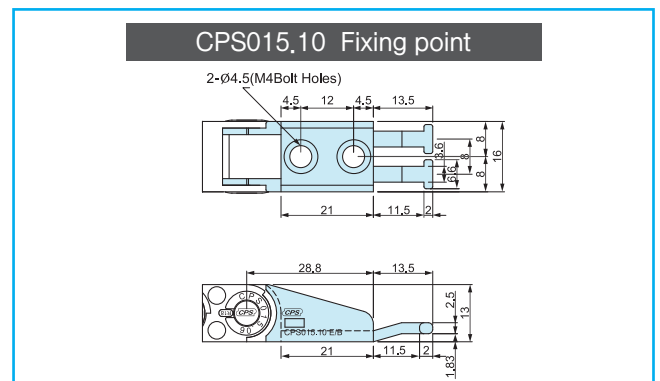
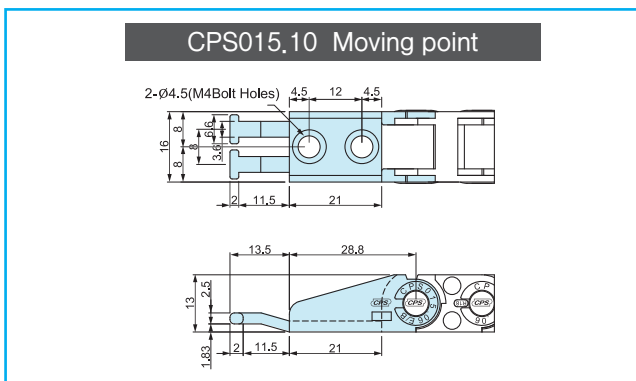
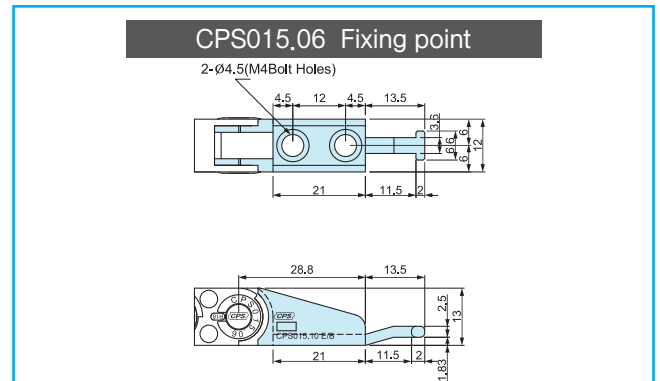
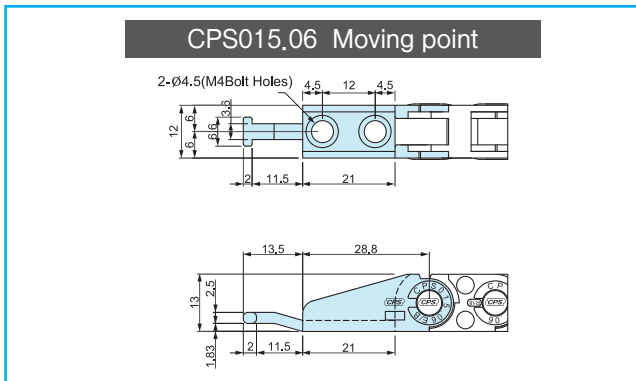
» Chain cross section

(Dimensions in mm)

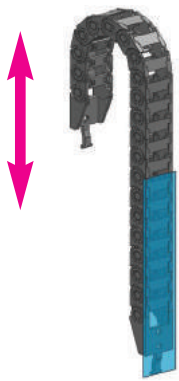
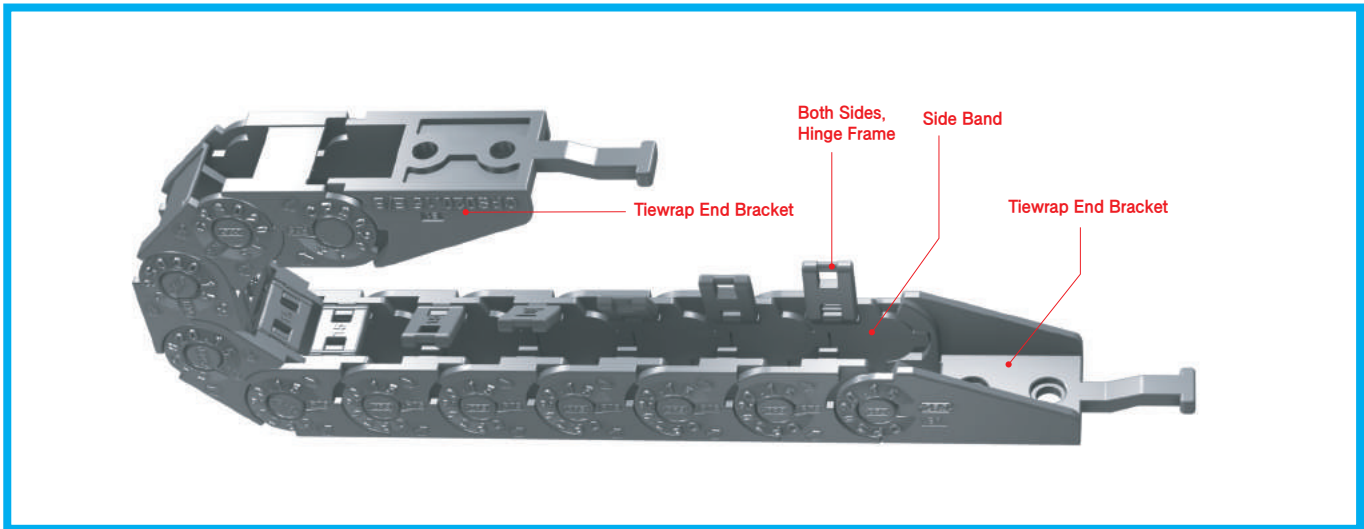


» End bracket (Tie wrap type)

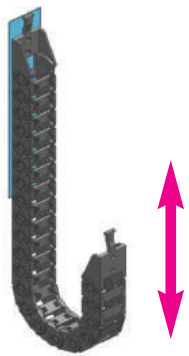
(Dimensions in mm)



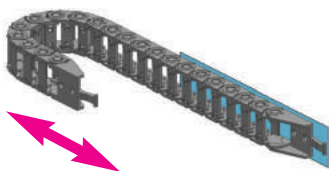
CPS 020



Vertical with curve above



Vertical with curve below



Horizontal application mounted on its side

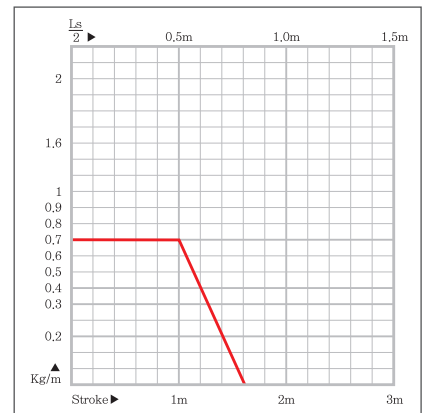
» Calculation of the chain length

$$\left[L = \frac{L_s}{2} + L_p \right]$$

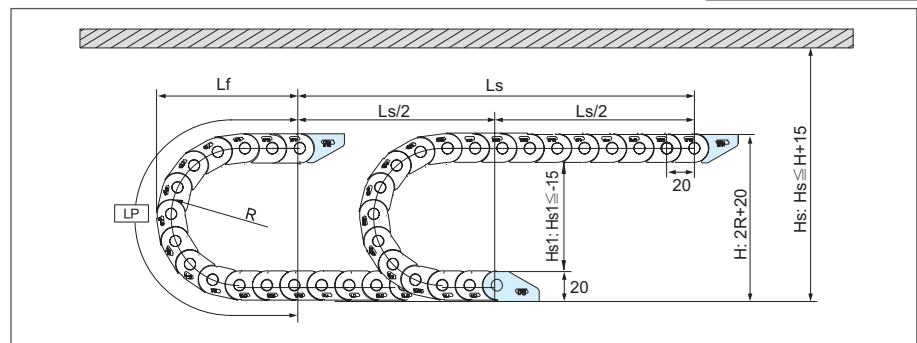
» Other installation length

Vertical curve above = max 1.0m
 Vertical curve below = max 5.0m
 Side Mounted, Unsupported = max 0.5m

» Load diagrams self-supporting length



» Layout of the chain



Ls: Stroke Hs: Safe Space

Bending Radius (R)	Lp Loop Length	Lf Loof Projection	H Moving Height
28	170	78	76
38	200	88	96
48	230	98	116

(Dimensions in mm)

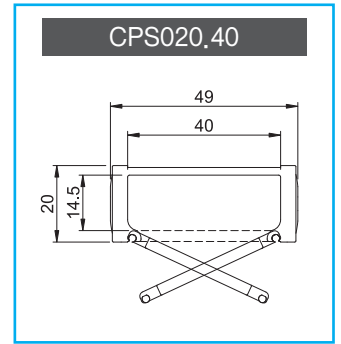
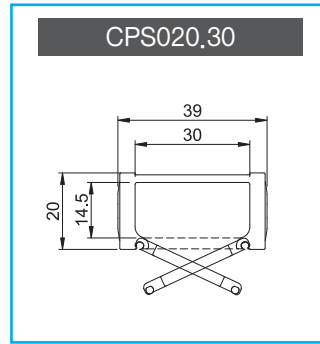
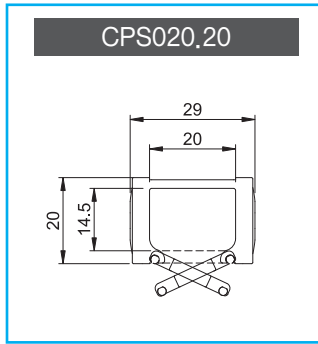
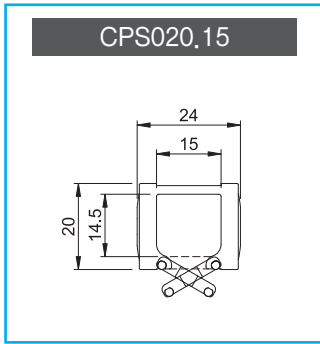
» Chain radius, Weight

Chain Type	Bending Radius (R)	Weight kg/m
CPS 020,15	28, 38, 48	0.245
CPS 020,20		0.260
CPS 020,30		0.285
CPS 020,40		0.310

(Dimensions in mm)

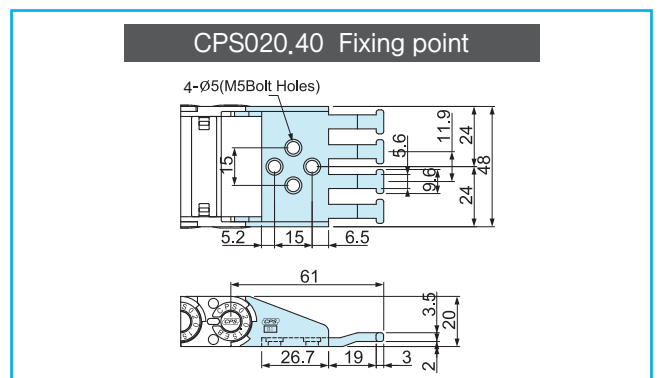
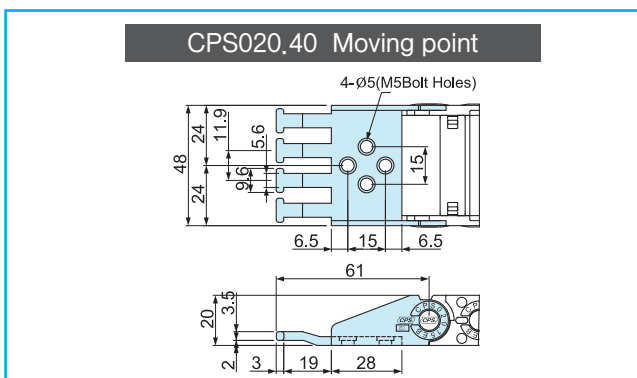
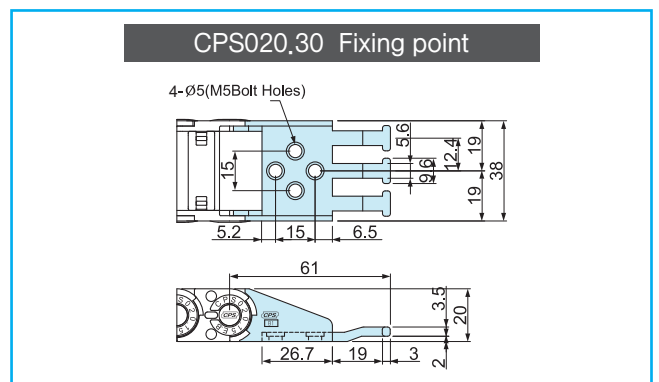
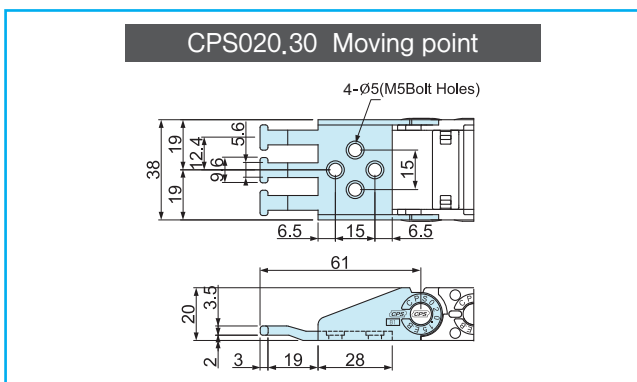
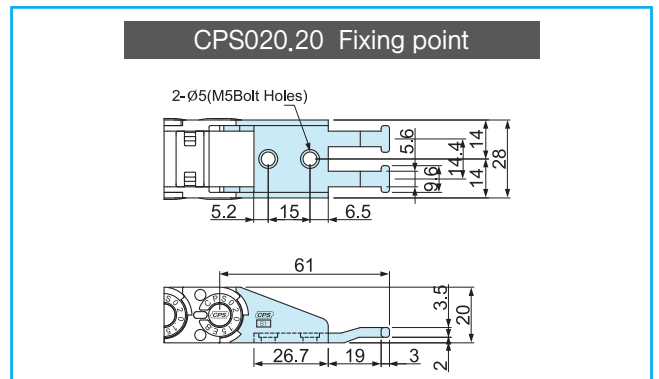
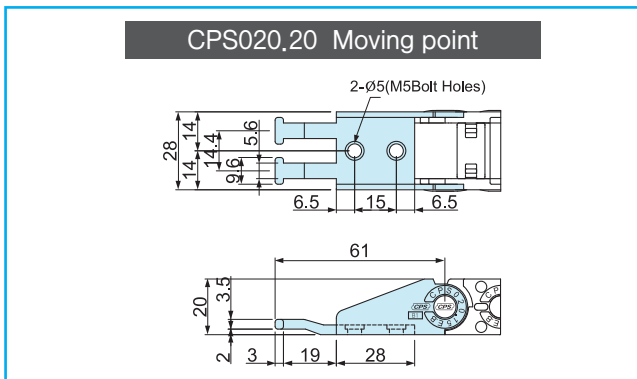
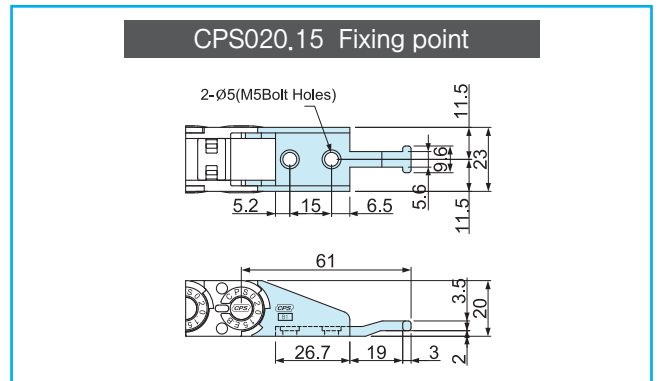
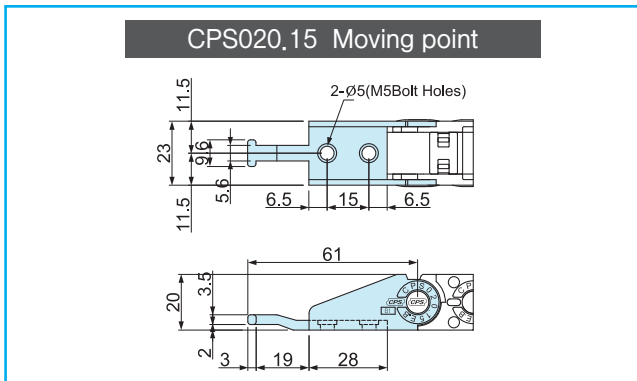
» Chain cross section

(Dimensions in mm)

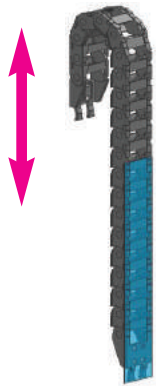
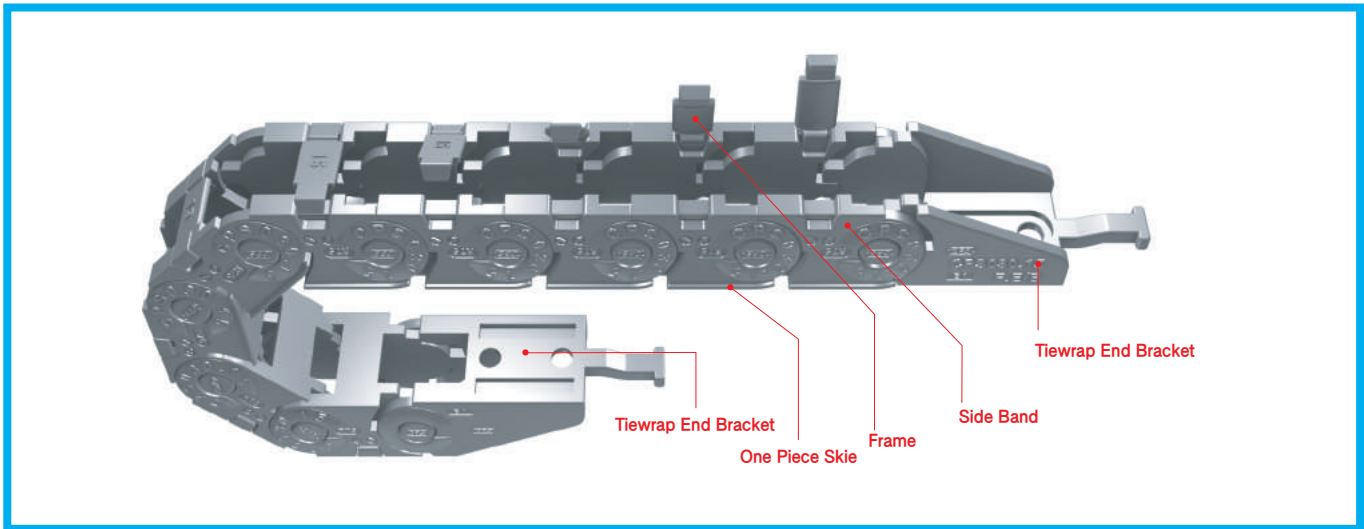


» End bracket (Tie wrap type)

(Dimensions in mm)



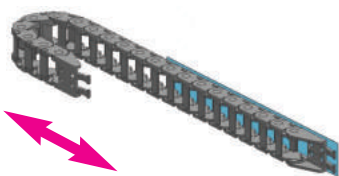
CPS 030



Vertical with curve above



Vertical with curve below



Horizontal application mounted on its side

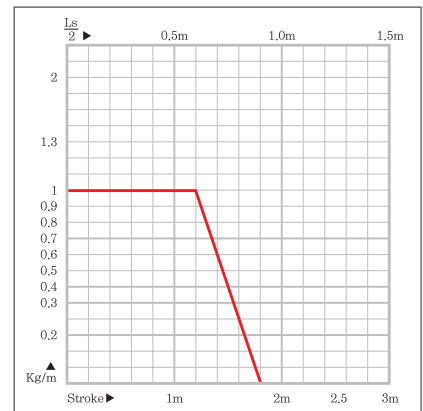
» Calculation of the chain length

$$\left[L = \frac{L_s}{2} + L_p \right]$$

» Other installation length

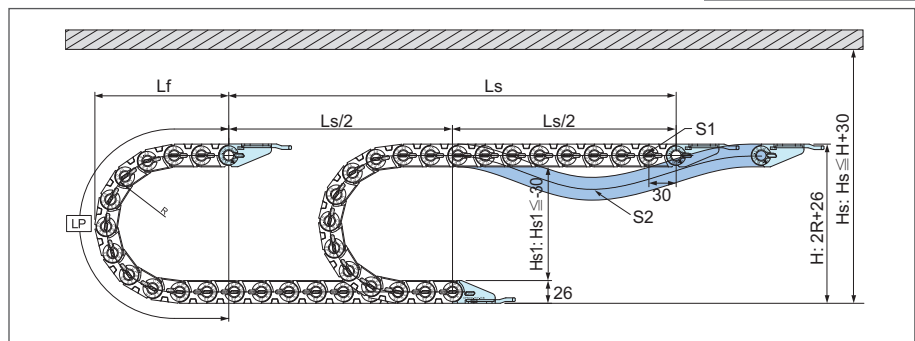
Vertical curve above = max 1.5m
 Vertical curve below = max 10.0m
 Side Mounted, Unsupported = max 0.6m

» Load diagrams self-supporting length



» Layout of the chain

Ls: Stroke Hs: Safe Space



Bending Radius (R)	Lp Loop Length	Lf Loof Projection	H Moving Height
38	240	110	101
48	271	119	121
75	356	148	175
100	434	173	225

(Dimensions in mm)

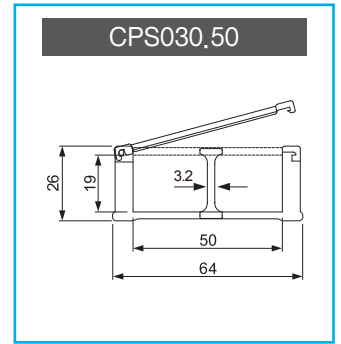
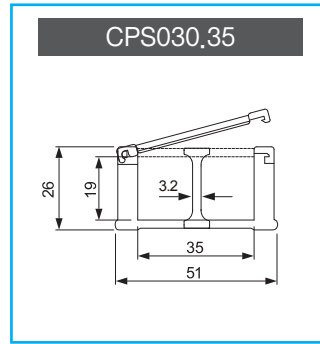
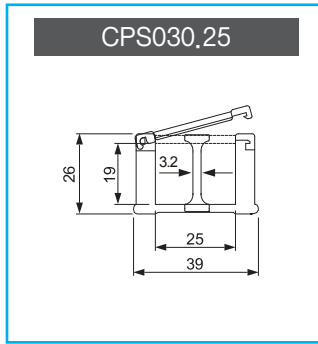
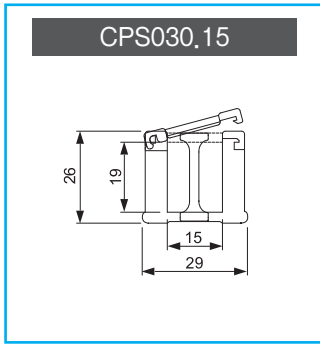
» Chain radius, Weight

Chain Type	Bending Radius (R)	Weight kg/m
CPS 030,15	38, 48, 75, 100	0,38
CPS 030,25		0,40
CPS 030,35		0,42
CPS 030,50		0,44

(Dimensions in mm)

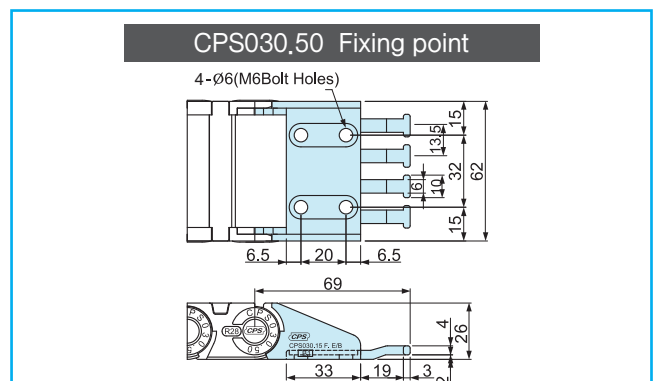
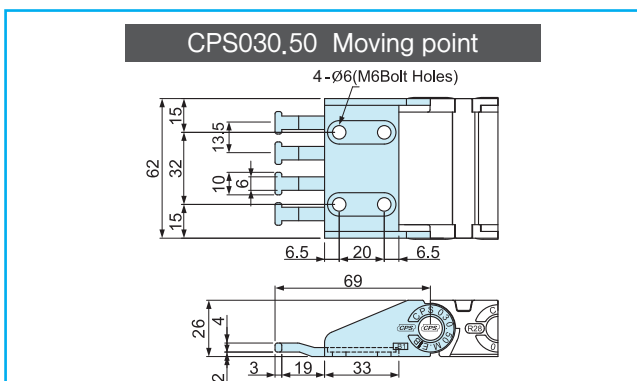
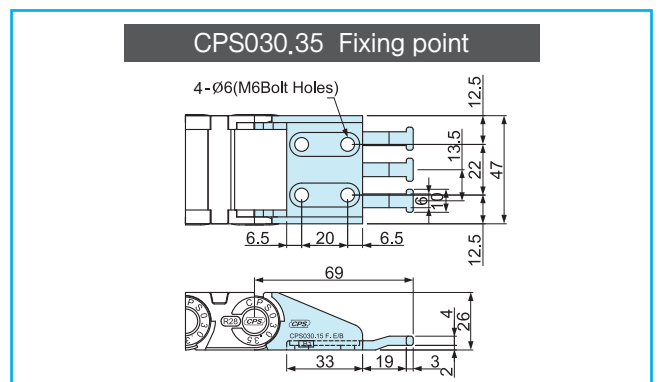
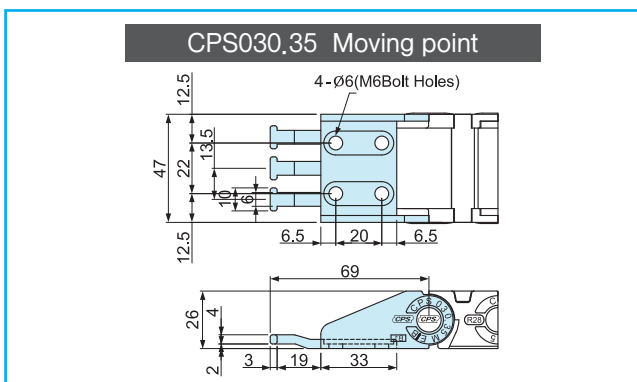
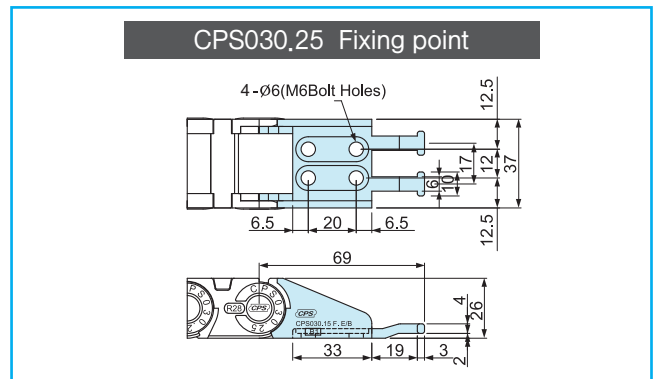
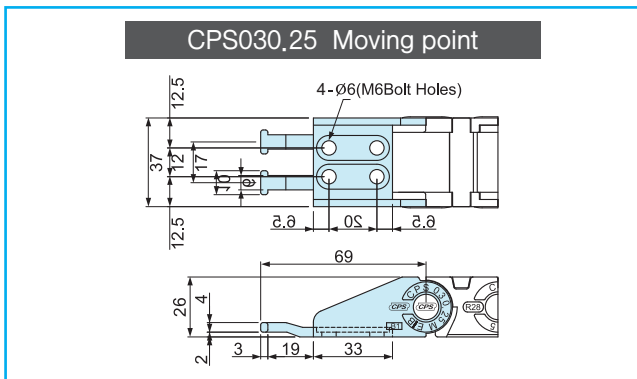
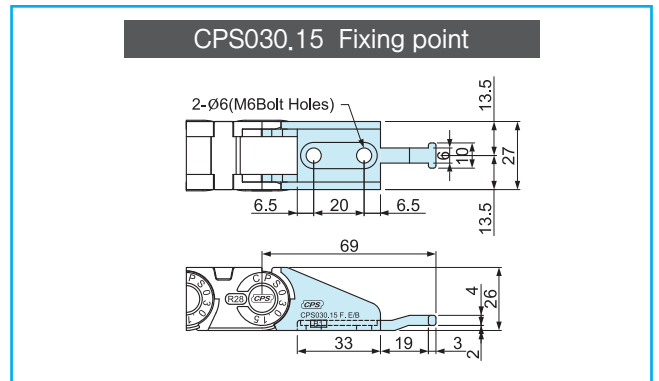
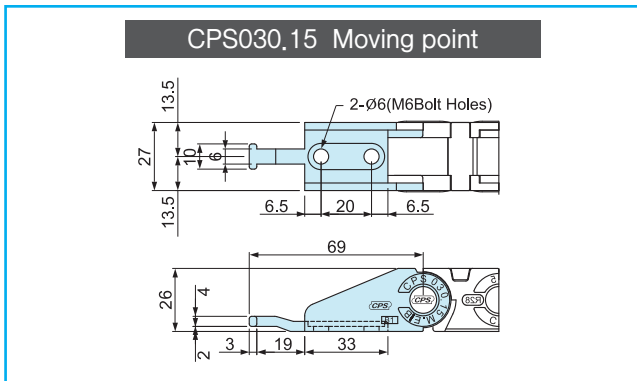
» Chain cross section

(Dimensions in mm)

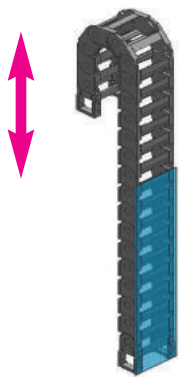
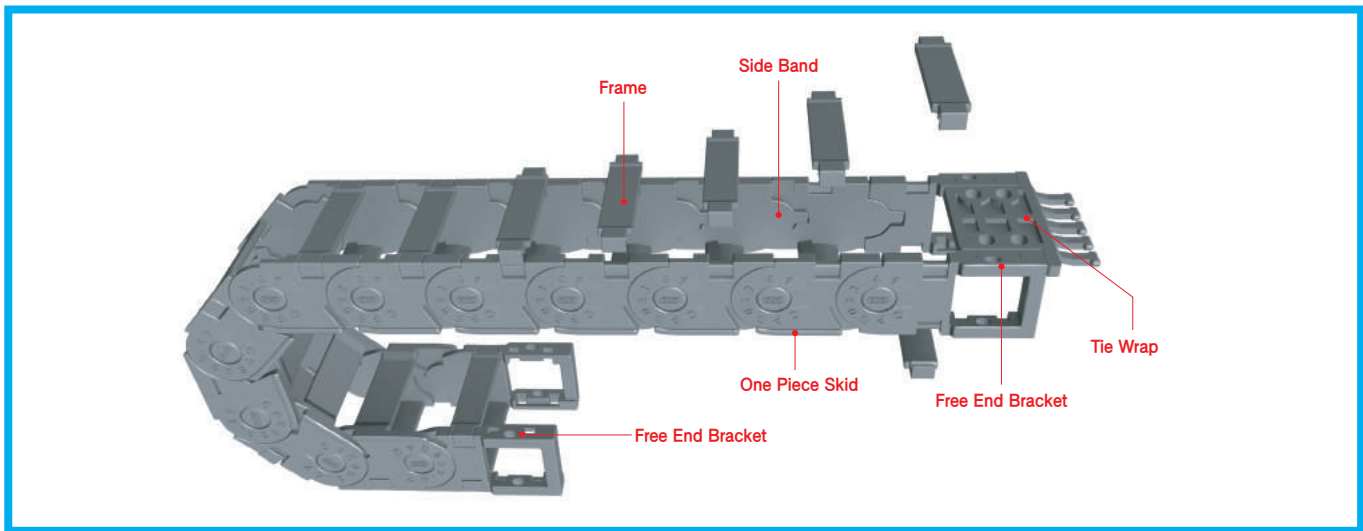


» End bracket (Tie wrap type)

(Dimensions in mm)



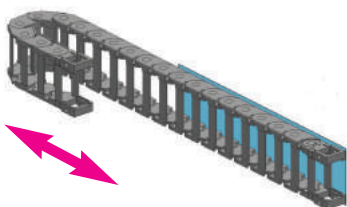
CPS 033



Vertical with curve above



Vertical with curve below



Horizontal application mounted on its side

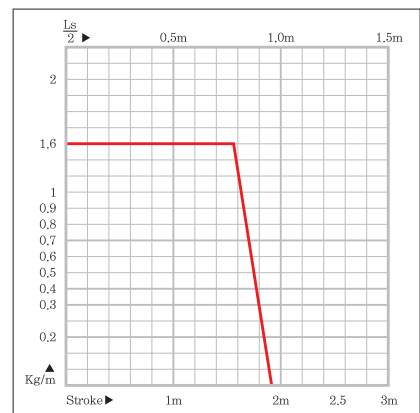
» Calculation of the chain length

$$[L = \frac{Ls}{2} + Lp]$$

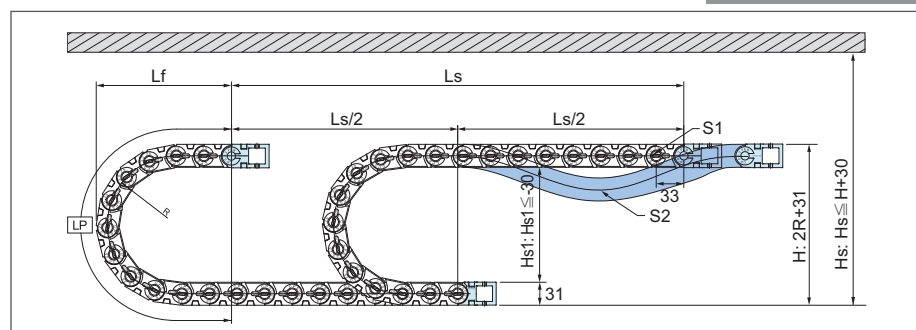
» Other installation length

Vertical curve above = max 1.5m
 Vertical curve below = max 10.0m
 Side Mounted, Unsupported = max 0.6m

» Load diagrams self-supporting length



» Layout of the chain

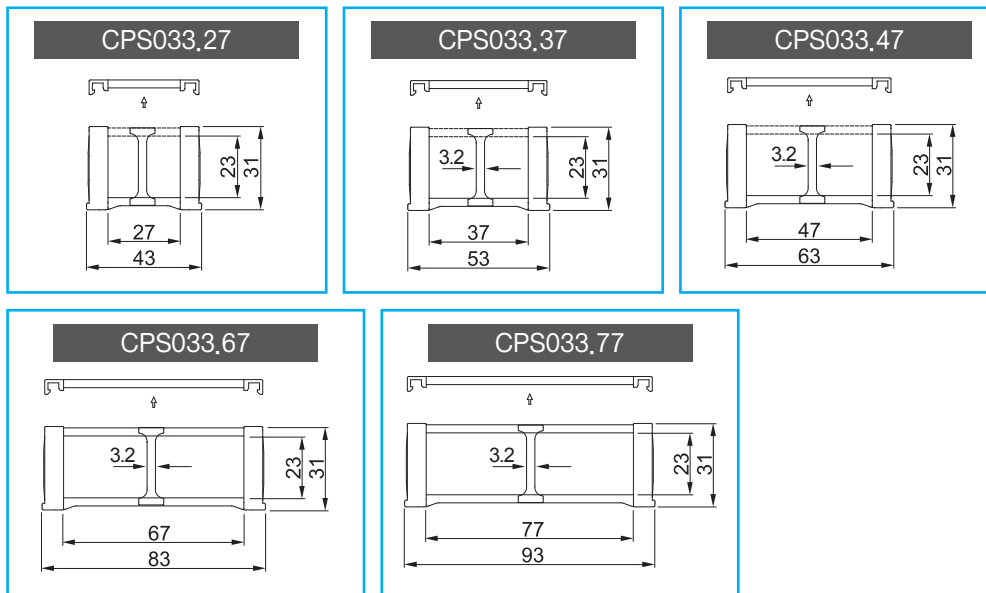


Bending Radius (R)	Lp Loop Length	Lf Loof Projection	H Moving Height
35	242	117	101
45	274	127	121
75	368	157	181
100	446	182	231
120	509	202	271

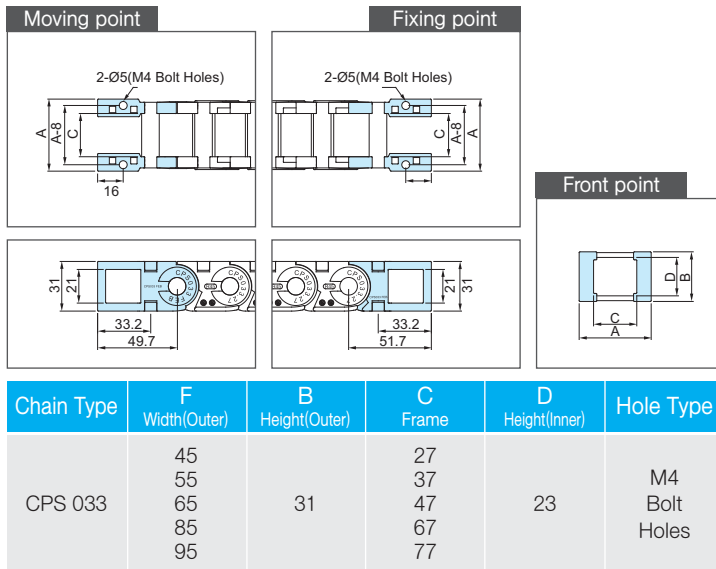
(Dimensions in mm)

» Chain cross section

(Dimensions in mm)

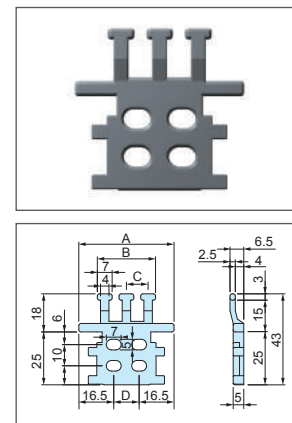


» Easy end bracket



(Dimensions in mm)

» Tie wrap (TW)

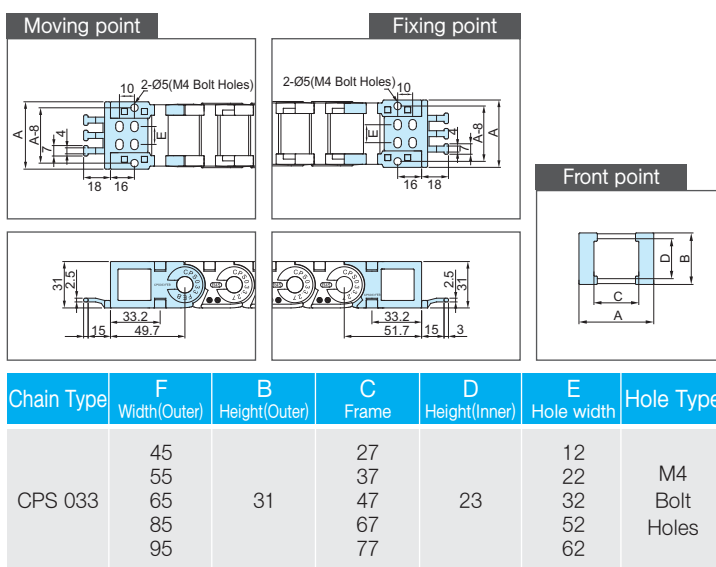


Tie wrap prevents cut off problem of the cable by the twisting and pulling movement. The tie wrap of this CPS CABLE Chain has two types, separated with bracket type and attached with bracket type.

Chain Type	Ordering No.	A	B	C	D
CPS 033	S-TW033/20CR.27	45,0	27,5	10,20	12,0
	S-TW033/20CR.37	55,0	41,0	8,50	22,0
	S-TW033/20CR.47	65,0	48,0	10,40	32,0
	S-TW033/20CR.67	85,0	68,0	10,00	52,0
	S-TW033/20CR.77	95,0	78,0	8,87	62,0

(Dimensions in mm)

» Easy end bracket (Tie wrap type)



(Dimensions in mm)