

Top 100
Global
Innovator
for 10 years

Xmotion

Servo System



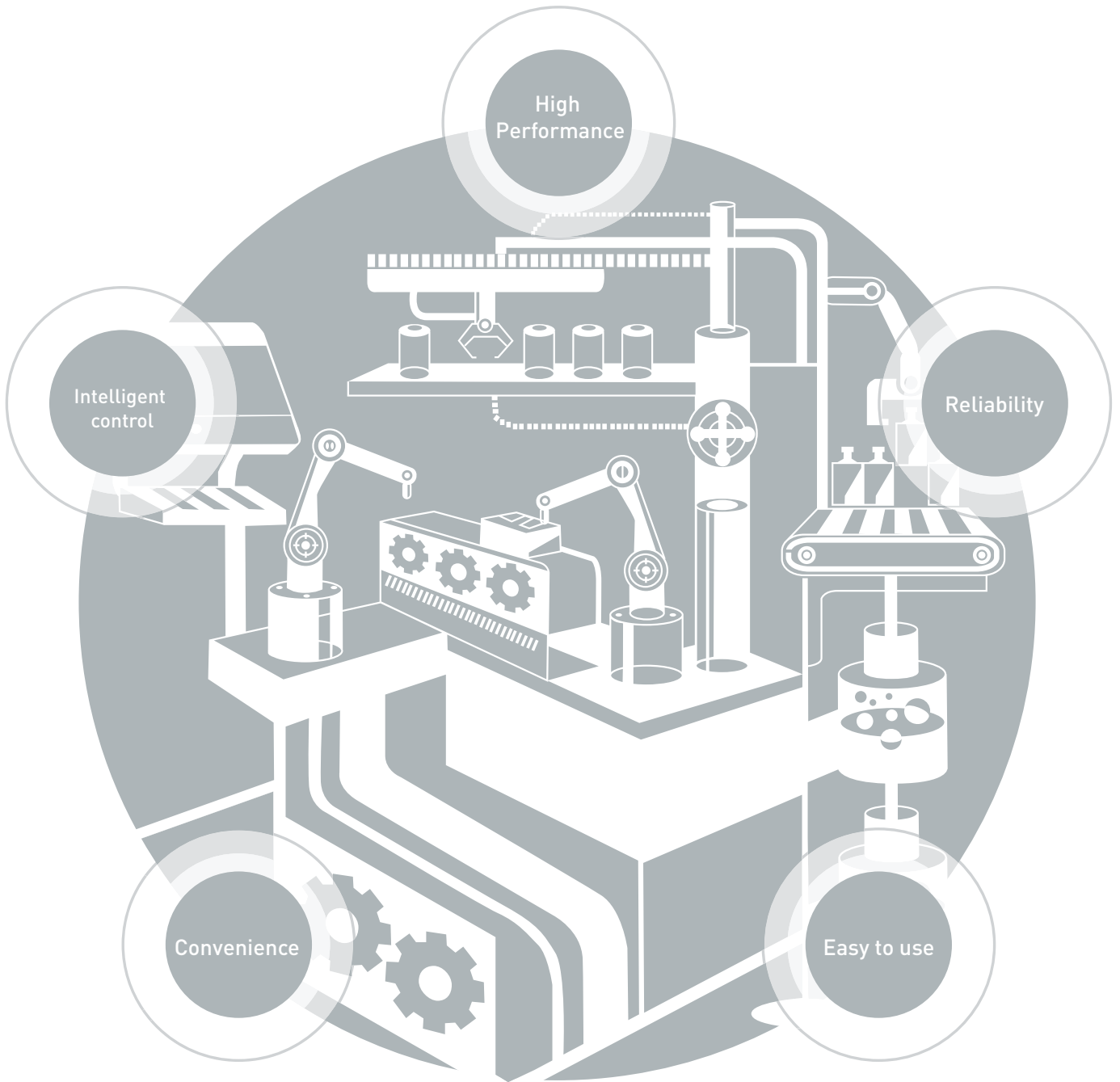
High Performance

Intelligent control

Reliability

Convenience

Easy to use



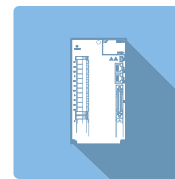
Xmotion

Servo System



Features
4 ~ 13

Features



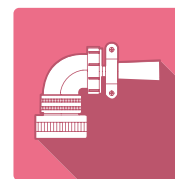
Servo Drive
14 ~ 71

Servo Drive



Servo Motor
72 ~ 105

Servo Motor



Options and Accessories
106 ~ 129

Options and Accessories



Application
130 ~ 147

Application

User-oriented Xmotion Servo Systems complete your optimal solution.



Xmotion Series

Your motion systems visualize the perfect solution through the LS comprehensive product ranges for the optimal drives and applications. Its high-performance vector, precision and speed control are user-friendly and cost effective.



It's Slim

38mm

The Minimized Width to 38mm!!! (400W)



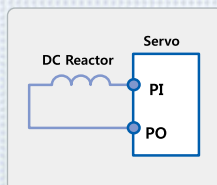
Reliability

Main Capacitor Quality Improved

- Long-life type capacitor applied (2.5 times improvement)

Convenient DC Reactor Installable

- Power connection to DC-link
- Easier wiring and smaller size compared to 3-phase AC reactor
- Connection for DC input (PI, N)



Stable Turn-off Function Based on The Detection of The Control Power Turn-off

Upgraded Protection Function(I)

- Triple protection functions for power module : IPM fault, CL detecting, over current detecting with S/W
- Main power mis-wiring detecting function : Selecting 3 phase or single phase, and alarm or warning is available
- Protecting overheating with thermal sensor in the drive and motor
- Alarm code grouping and exclusive output contacts (AL00, AL01, AL02)
- Warning function (digital output, warning output) : Mis-wiring of power, low voltage for encoder battery, over speed command, over torque command, over load, mis-matched motor and drive



1kW



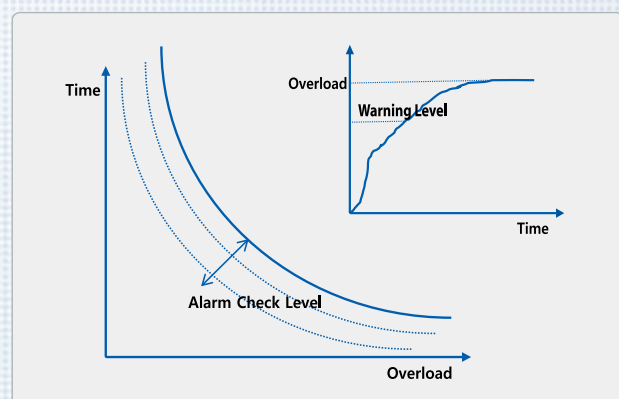
3.5kW

5%

Compared With
Competitor's
Drive Max 5% Slim

Upgraded Protection Function(II)

- Detecting function for accumulated over load of regenerative resistor
 - : Protect algorithm is provided with embedded resistor characteristic
 - : Protection by capacity (P0-11) and resistance (P0-10)
 - : Providing de-rating factor for radiant heat
- Available continuous overload capacity setting as followed operating condition
 - : Protect with separated overload table at stall & operation
 - : Set overload check level (P0-12)
 - : Setting warning signal output level is available (P0-13)

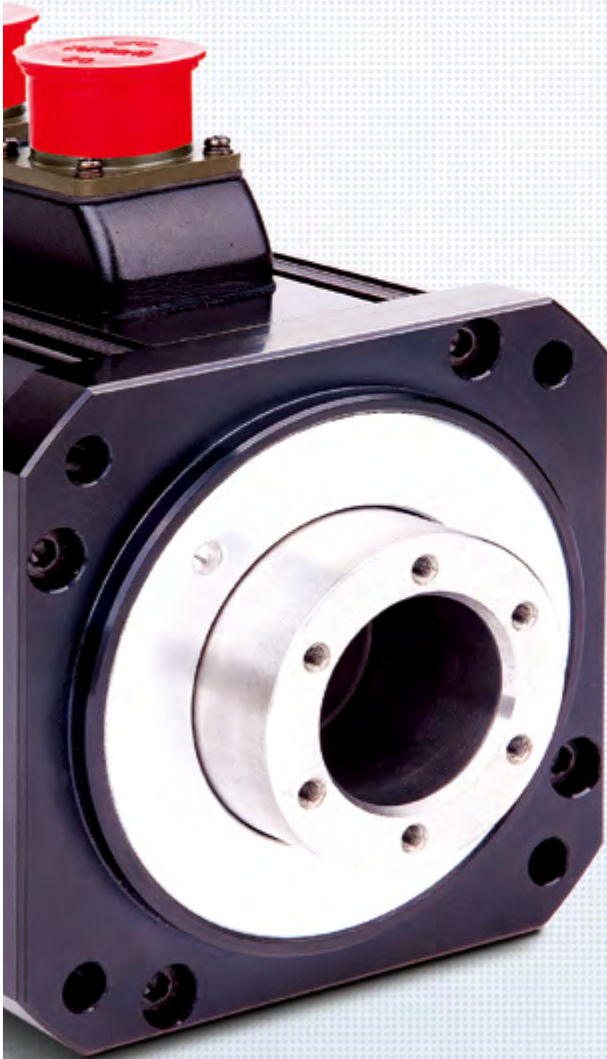


CE, RoHS, UL Certified



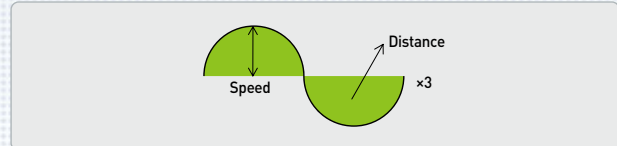
Easy to USE

Reliable partner with global standard performance and easy control by user-centric environment



Easy Gain Tuning With Automatic Inertia Estimating Function

- Quick & Accurate Inertia Estimating
- Off-Line Tuning
- Parameter for Estimation (Speed & Distance)



Encoder With Bi-directional High Speed Serial Communication

- Automatic Identification (Motor ID / Encoder pulse)
- BiSS protocol
- Easy wiring (15 encoder wires → 7 encoder wires) and anti-external noise

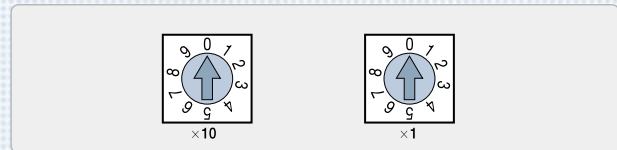


Sufficient Input/Output Contacts and Various Functions

- iX7NH: Digital input contacts: 6, output contacts: 3 / Analog input contacts: 1 and output contacts: 2
- L7NH: Digital input contacts: 8, output contacts: 4 / Analog input contacts: 1 and output contacts: 2
- L7S: Digital input contacts: 10, output contacts: 8 / Analog input contacts: 2 and output contacts: 2
- L7C: Digital input contacts: 10, output contacts: 5 / Analog input contacts: 2 and output contacts: 0
- L7P: Digital input contacts: 16, output contacts: 8 / Analog input contacts: 2 and output contacts: 2
- PEGASUS: Digital input contacts: 4, output contacts: 2 / Analog input contacts: 1 and output contacts: 1
- Flexible assignment of input/output signals by parameters and contact setting based on the input/output contact type (N.O / N.C contacts)

Using the Rotary Switch to Configure the Drive Node Address [iX7NH, L7NH, L7P, PEGASUS]

- Using the rotary switch to configure the drive node address conveniently
- iX7NH : 0~99, L7NH : 0~99, L7P : 0~31, PEGASUS : 0~15



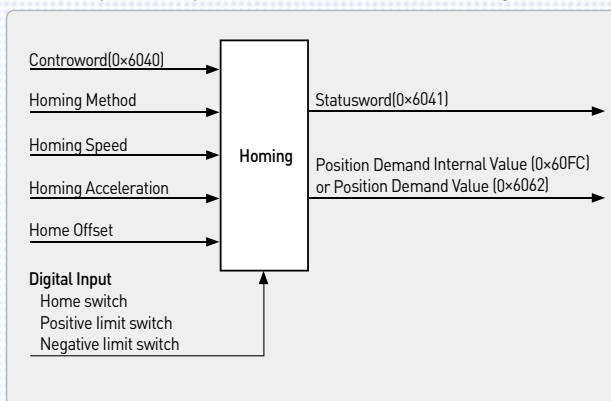
Plug-in Type Power Connector

- Expanded to 1 kW - 3.5 kW for improved wiring convenience



Various Homing Functions [iX7NH, L7NH, L7P, PEGASUS]

- The drive provides the homing function.
- You can specify the speed, acceleration, offset, and homing method.



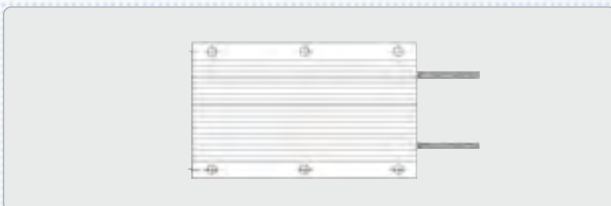
Easy Firmware Upgrade [iX7NH, L7NH, L7P, PEGASUS]

- Supporting the USB OTG function to allow firmware download with a USB memory
- Useful where space is limited or environmentally unfavorable



Built-in Regenerative Braking Resistance in the Drive

- Drive installed inside to improve user convenience
- Providing the connection for external installation
- Enhanced protection algorithm



Features

Xmotion servo series with high speed, incredible performance, smart and convenience. It's time to check value of Xmotion series



High Performance

Serial Encoder of High Resolution (16 bit - 21 bit)

- Stability improved during precision position control and low-speed operation

Stable Low-speed Properties Based on Precise Speed Measurement

- Stable speed measurement at low speed

Calculation Speed Improved [iX7NH, L7NH, L7P, PEGASUS]

- FPU (Floating Point Unit) for reliable precision calculation
- Maximum 16kHz switching frequency for precision current control
- 32 bit operation for increased synchronous command processing rate (MIPS)

Dedicated PC Program

- L7S : LIVE-I.C.E
iX7NH, L7NH, L7NHF, L7C, L7P, PEGASUS, PHOX : Drive CM
- PC program for shortened equipment tuning time and debugging
- Monitoring for speed, torque, current feedback, position values and positional error values and alarm occurrence time

Intelligent Control

Notch Filter for Resonance Suppression

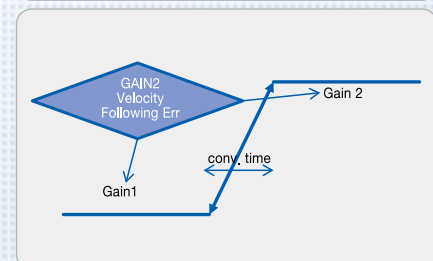
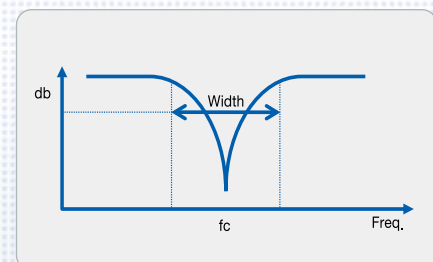
- 4-step notch filter
- 2-step vibration suppression filter at the load position
- FFT function for real-time frequency analysis

Various Gain Switching Modes for Improved Control Performance

- P/PI auto-switching function to reduce overshooting during acceleration/deceleration
- Various Gain1 ↔ Gain2 switching modes

Various Dynamic Brake Control Modes

- Configuring the operation mode at stop and after stop



Convenience

Providing various functions– backup, network diagnosis, monitoring and built-in functions focused on improving efficiency



High Performance

- High speed, Real-time capability and synchronization mechanism

Cost Effective

- Standard Ethernet Cabling + Connectors, Less implementation efforts for master and slave

Easy to Use

- Versatile topology and diagnostics

L7 Drive With Built-in EtherCAT Interface

- 100BASE-TX(100Mbps) Ethernet based real-time communication
- Support CiA402(IEC61800-7) drive profile
- Interoperability
- Max. 100m between nodes
- Precise synchronization mechanism (1us)
- Freely settable process data length and mapping
- Four status indication LEDs (L/A0, L/A1, RUN, ERR)
- Standard RJ45 connector and cabling(CAT5)
- Support various homing modes
- Support Full-closed control (L7NHF)

Various Operation Modes

- iX7NH, L7NH and PEGASUS: Using the EtherCAT communication to support Cyclic & Profile (P/S/T) modes, EOE, COE, and FOE

Safe Torque Off Function

- Torque-off forced by hardware signals without involvement of the drive CPU and FPGA (ASIC); international standards adopted (IEC61508)

High Speed Position Capture Function

- Touch probe function (PROBE1, PROBE2)

Adjustment Function Linked With XGT Series From LS ELECTRIC

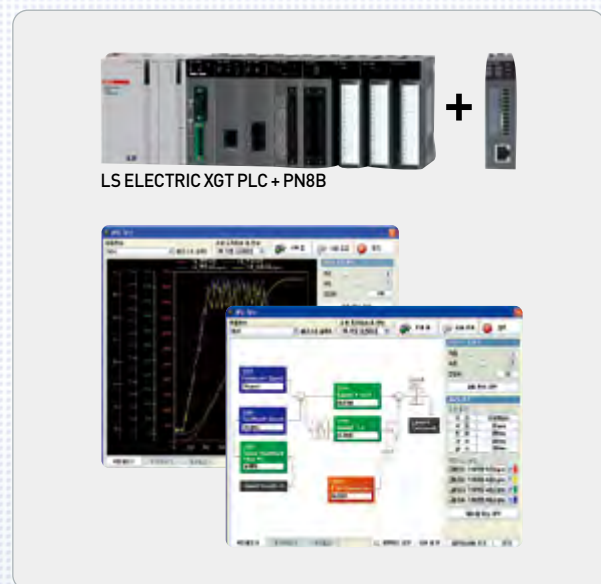
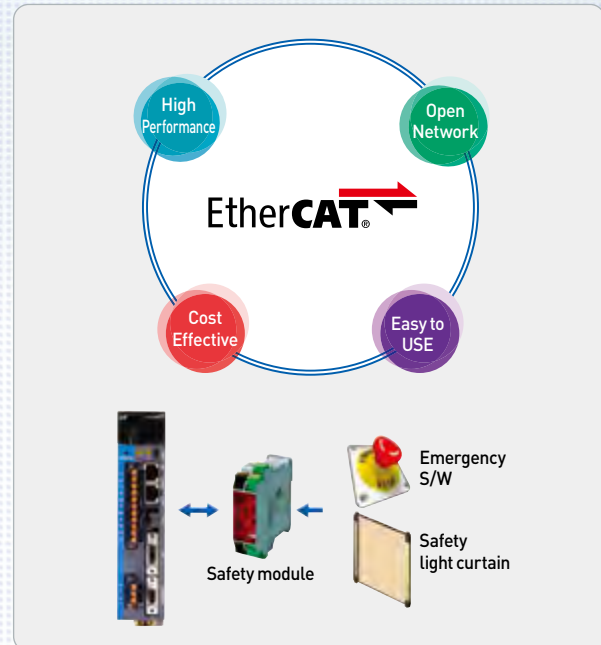
- Inertia detection, position/speed gain manual adjustment, gain switching setup, etc.

Have Conformity of EtherCAT Device

- In-house test using CTT(Conformance Test Tool)

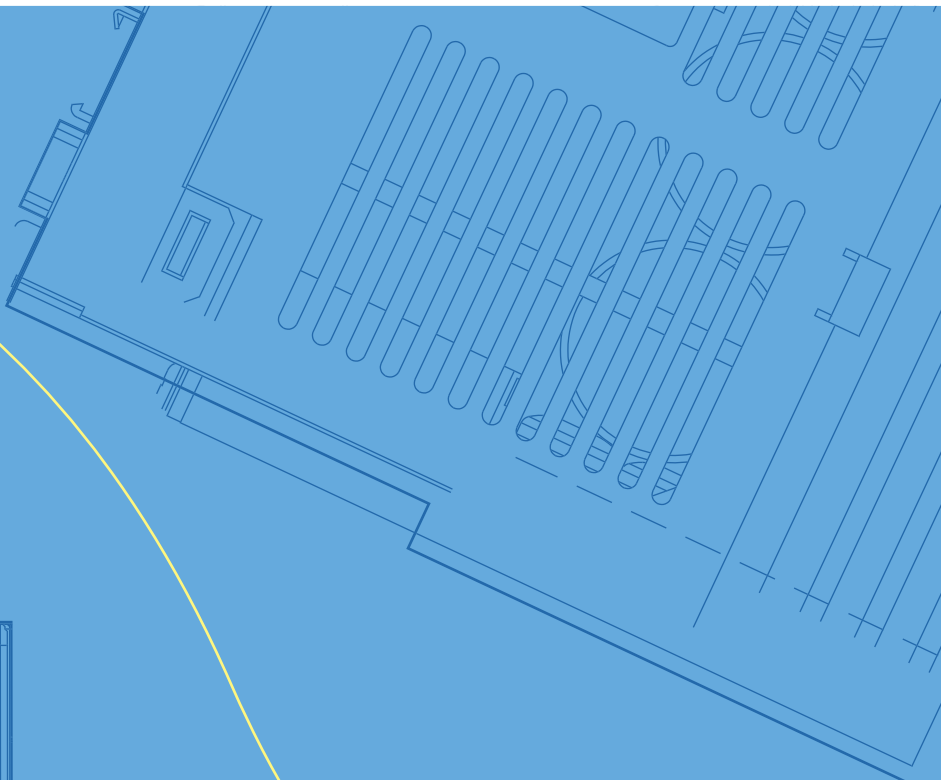
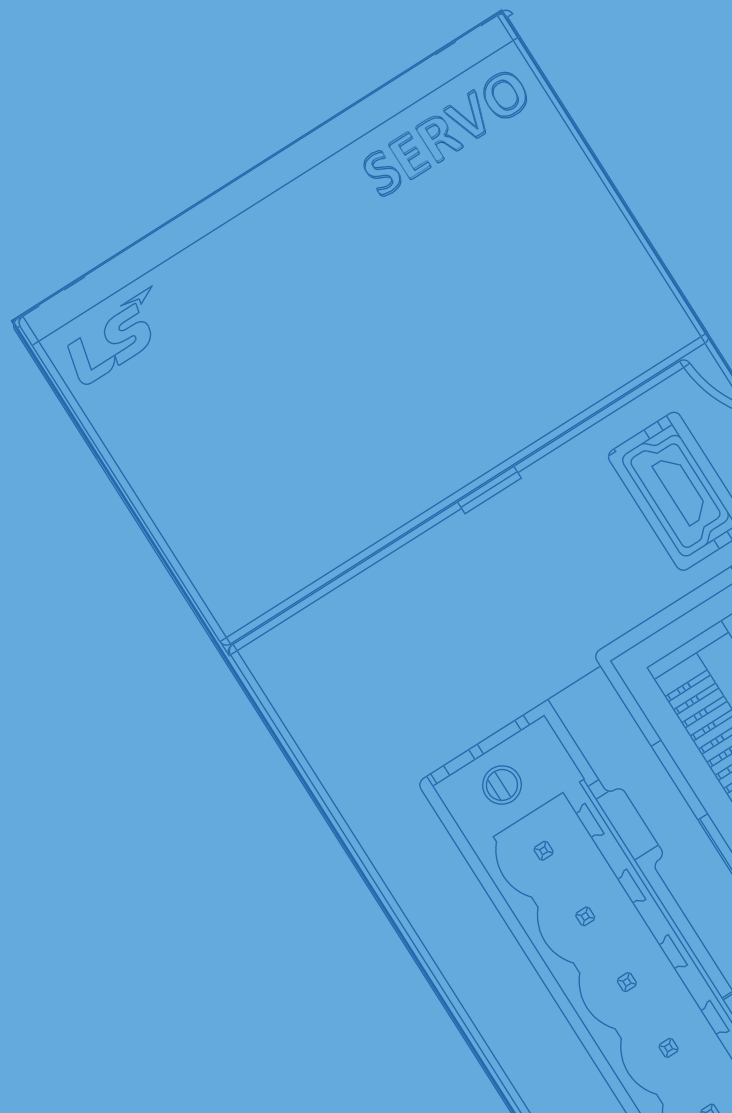
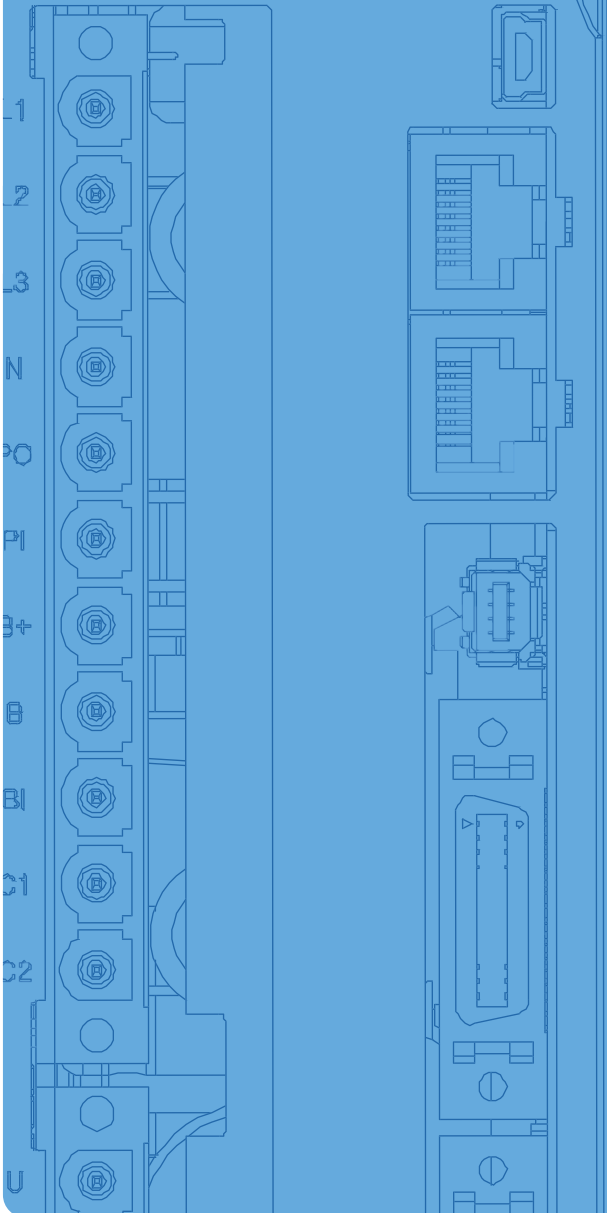
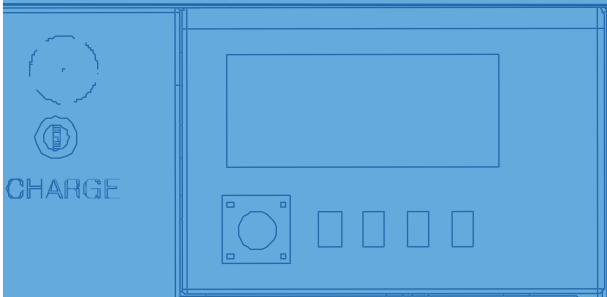
Open Network

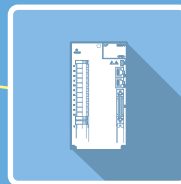
- Over 1600 worldwide members



Provide Gain Tuning Tools and Commissioning Packages

- Automatic inertia tuning and PI gains
- Gain conversion setting
- Manual fine gain tuning tool
- Object save and initialization function
- Alarm history function(Recently issued 20 alarm codes)





Servo Drive

Contents

iX7NH Series

Next Generation EtherCAT Network Command Type 16

L7NH Series

All-in-One EtherCAT Communication Type 22

L7NHF Series

All-in-one EtherCAT Communication Type+ Full Closed Type ... 32

L7S Series

Pulse, Analog Command Type 38

L7C Series

Pulse, Analog Command Type 48

L7P Series

Indexer Function Type 52

PEGA Series

Integrated Servo System Type 60

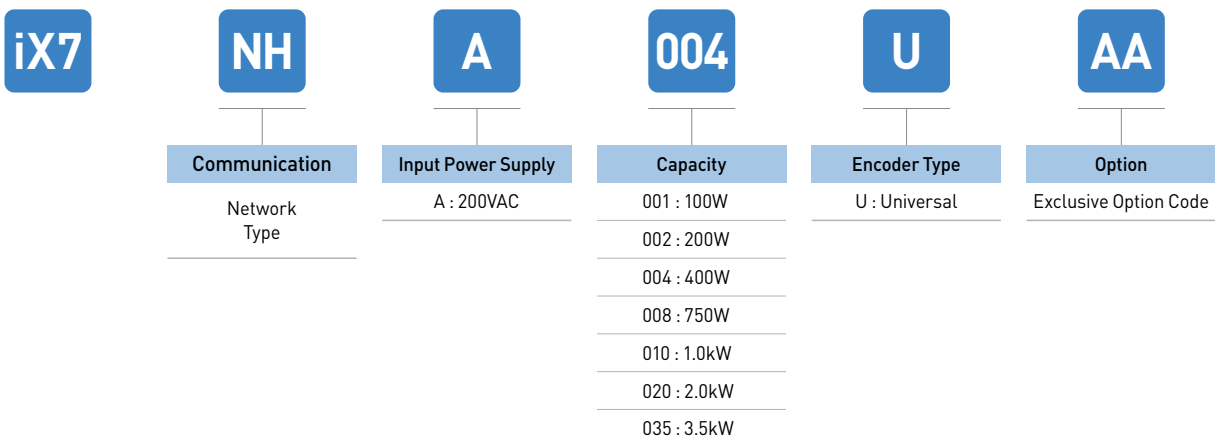
PHOX Series

Low Voltage DC Drive Type 66

iX7NH Series



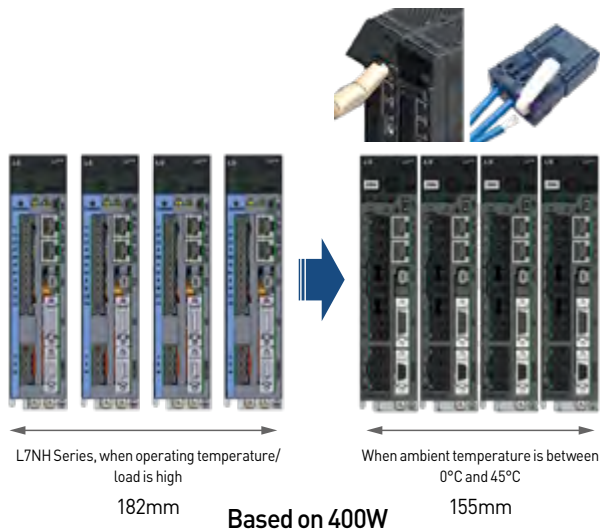
Servo Drive Designation



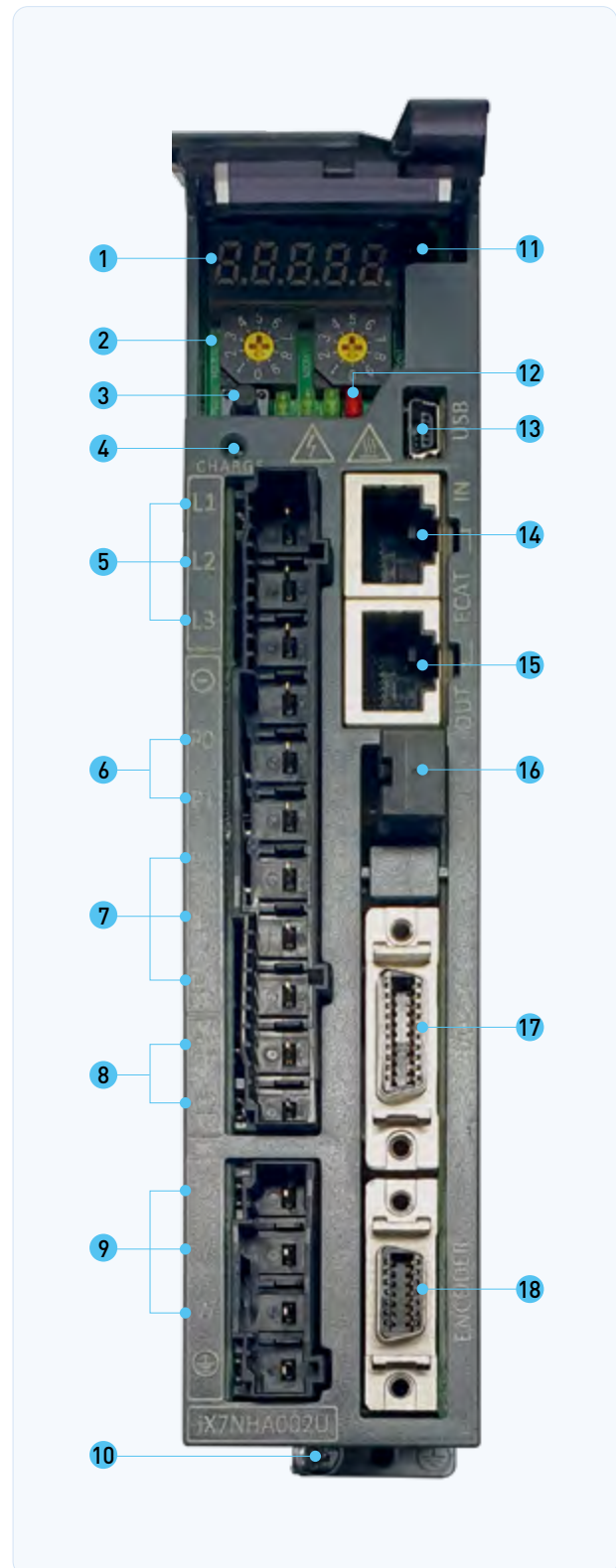
Next Generation EtherCAT Network Command Type **iX7NH**

Compact & Convenience

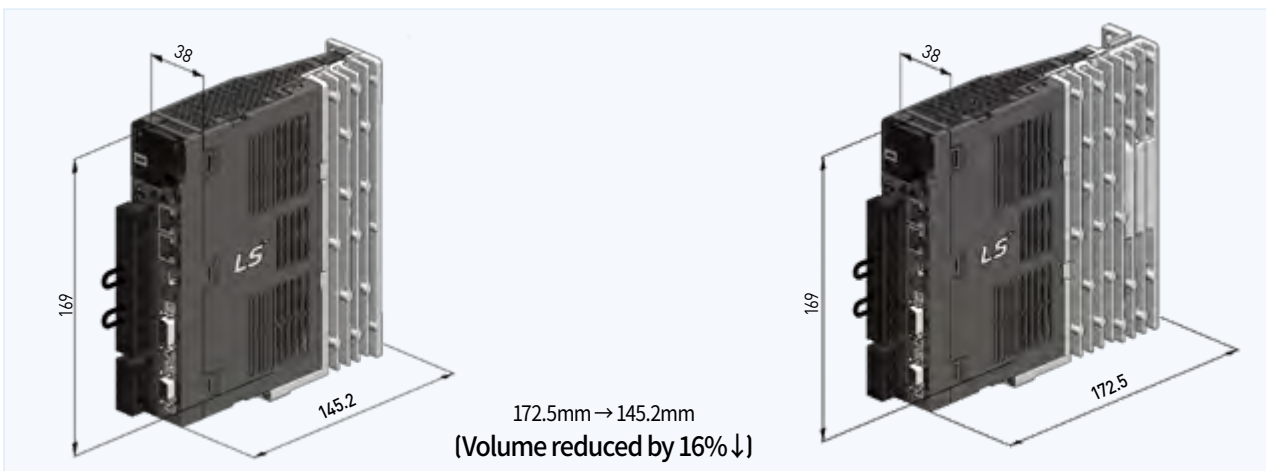
- Optimized installation space by highly efficient heat dissipation
 - 100W ~ 1kW Drive
- Minimized drive depth for 100W and 200W drive by development and application of mini heatsink
 - 172.5mm → 145.2mm ; volume reduced by 16%
- Parameter display: easy to open and close
- Spring clamp connector applied for easier wiring



- 1 Display
- 2 Charge lamp
- 3 Node address setting switch
- 4 OTG Switch
- 5 Main power connector (L1, L2, L3)
- 6 DC Reactor connector (PO, PI)
- 7 Regenerative resistance connector (B+, B, BI)
 - Short-Circuit B, BI terminals when standard type
 - Use B+, B terminals when using external resistor
- 8 Control power connector (C1, C2)
- 9 Servo motor connecting terminal (U,V,W)
- 10 Ground terminal
- 11 Connector for analog monitor
- 12 State LED
- 13 USB Connector(USB)
- 14 EtherCAT communication port(IN)
- 15 EtherCAT communication port(OUT)
- 16 Safety connector(STO)
- 17 Input/Output signal connector(I/O)
- 18 Encoder connector(ENCODER)

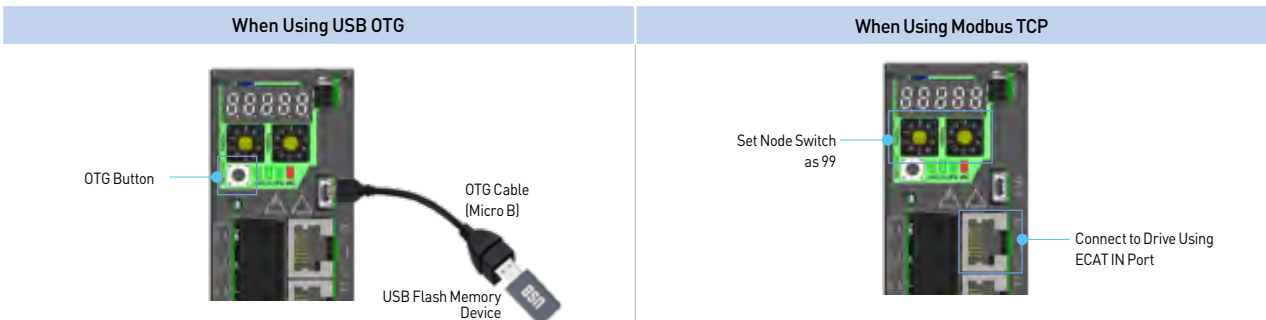


Minimized drive depth for 100W and 200W drive by development and application of mini heatsink



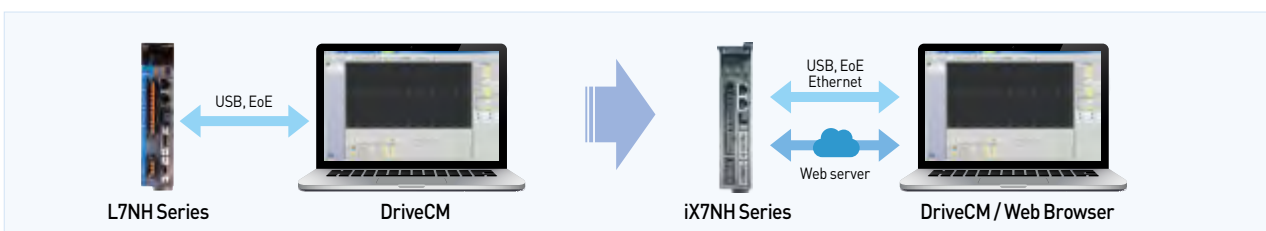
More Variety of Supported Encoders & Enhanced Control Functionalities

- More types of encoders supported on top of high resolution encoder
 - BiSS, Quadrature, Tamagawa, Panasonic, EnDat 2.2, SSI, Nikon and Sinusoidal (Optional)
- Temperature monitoring by encoders supported
- Enhanced disconnection check function of quadrature encode
 - Disconnection check circuit added
 - No dummy wiring needed
- Improved control cycle times
 - Position: 125 μ s - Speed: 62.5 μ s
 - Current: 31.25 μ s
- Enhanced alarm trace function
 - Capable of saving up to 4 maximum channels such as alarm code & alarm occurrence time/date
- Enhanced USB OTG (On-The-Go) function
 - Back-up & restoration of drive parameters (drive \leftrightarrow USB device)
 - Back-up of drive's alarm history (drive \rightarrow USB device)
 - Firmware update (drive \leftarrow USB device)



Faster Communication Provided in More Diverse Methods

- Fieldbus: EtherCAT & Modbus TCP
- Min. Communication cycle time
- Advanced EtherCAT functionality
 - Minimum communication cycle time improved to 0.125 ms from 0.250 ms
 - FoE function supported
- Built-in web server function
 - With web server embedded in servo drive, no drive CM (configuration software) is needed other than web browser environment

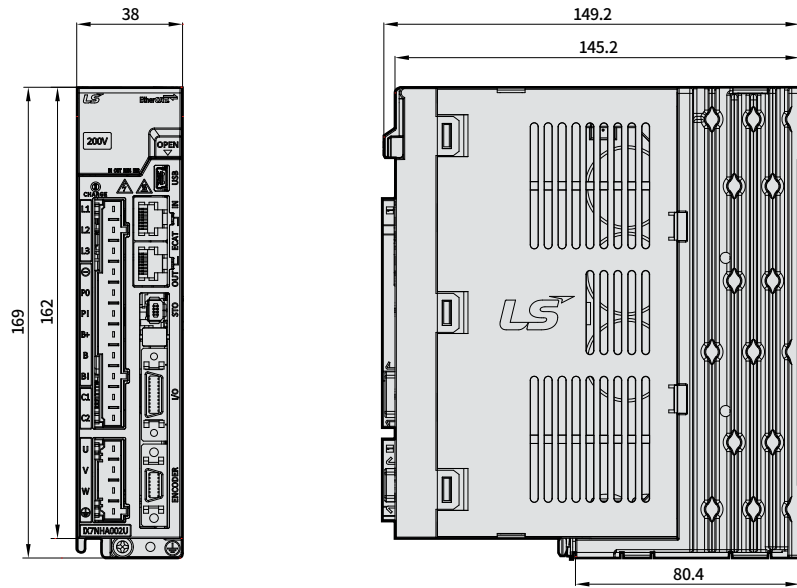


iX7NHA Drive

Item	Part Number	iX7NHA001U	iX7NHA002U	iX7NHA004U	iX7NHA008U	iX7NHA010U	iX7NHA020U	iX7NHA035U
Input Power	Main Power	1-Phase AC100 ~ 120[V], 1-Phase AC200 ~ 240[V], 3-Phase AC200 ~ 240[V], (-15 ~ +10[%]), 50 ~ 60[Hz]			1-Phase AC200 ~ 240[V], 3-Phase AC200 ~ 240[V], (-15 ~ +10[%]), 50 ~ 60[Hz]	3-Phase AC200 ~ 240[V], (-15 ~ +10[%]), 50 ~ 60[Hz]		
	Control Power	1-Phase AC100 ~ 120[V] 1-Phase AC200 ~ 240[V] (-15 ~ +10[10%]), 50 ~ 60[Hz]			1-Phase AC200 ~ 240[V] (-15 ~ +10[10%]), 50 ~ 60[Hz]			
Rated Current [A]		1.4	1.7	3.0	5.2	6.75	13.5	16.7
Peak Current [A]		4.9	5.95	10.5	18.2	20.25	40.5	50.1
Encoder Type		Quadrature (Incremental) , BiSS-B, BiSS-C(Absolute, Incremental) Tamagawa Serial(Absolute, Incremental), EnDat 2.2, Sinusoidal, Analog Hall, SSI, Nikon, Panasonic						
Control Performance	Speed Control Range	Max. 1 : 5000						
	Speed Variation Ratio	±0.01[%] or less (Load variation 0~100[%]), ±0.1[%] or less (temperature: 25±10[°C])						
	Torque Control Repetition Accuracy	±1[%] or less						
EtherCAT Specification	Communication Standard	FoE (Firmware download) EoE (Parameter setting by UDP, Tuning, Secondary function, Parameter copy) CoE (IEC 61158 Type12, IEC 61800-7 CiA 402 Drive profile)						
	Physical Layer	100BASE-TX(IEEE802.3)						
	Connector	RJ45 x 2						
	Communication Distance	Distance between nodes 100[m] or less						
	DC (Distributed Clock)	Synchronization by DC(Distributed Clock) mode. Minimum DC cycle: 125[us]						
	LED Display	Link Act IN, Link Act OUT, RUN, ERR						
	CiA 402 Drive Profile	Profile Position Mode, Profile Velocity Mode, Profile Torque Mode, Cyclic Synchronous Position Mode Cyclic Synchronous Velocity Mode, Cyclic Synchronous Torque Mode, Homing Mode						
Digital Input & Output	Digital Input	Input Voltage range: DC 12[V] ~ DC 24[V] / Total 6 input channels (allocable) Inputs of total 15 functions are selectively allocable (*POT, *NOT, *HOME, *STOP, *PCON, *GAIN2, P_CL, N_CL, PROBE1, PROBE2, EMG, A_RST, SV_ON, LVSF1, LVSF2) Note)* Automatically allocated signals						
	Digital Output	Service rating: DC 24[V] ±10%, 120[mA] total 3 channels (allocable) Total 11 outputs are selectively allocable (*BRAKE±, *ALARM±, *READY±, ZSPD, INPOS, TLMT, VLMT, INPOS2, INSPD, WARN, TGON) Note)* Automatically allocated signals						
Encoder Decimation Output		Differential Line Driver 3 channels AO, /AO, BO, /BO, ZO, /ZO up to 6.5 [Mpps] on 4x interpolation						
Analog Input & Output	Digital Input	Input voltage range: -10 ~ +10[V], Function: analog torque limit (1 channel, unallocable)						
	Digital Output	Total 2 channels (Allocable): able to selectively allocate total 25 types of output						
Safety Function		2 Input Channels(STO1 and STO2), 1 Output Channel(EDM)						
USB Communication	Function	Firmware download, Parameter setting, Tuning, Parameter copy						
	Communication Standard	Conforming USB 2.0 Full Speed and OTG 2.0 standard						
	Accessible Device	PC or USB Storage device						
Embedded Function	Dynamic Braking	Standard built-in brake (Activated when the servo alarm goes off or when the servo is off).						
	Regenerative Braking	Default built-in (Except 100W & 200W), external installation possible						
	Display Function	7 segments(5DIGIT)						
	Self-setting Function	Drive node address setting is possible using rotary switch						
	Additional Function	Gain tuning, alarm history, jog operation, home searching						
	Protection Function	Overcurrent, overload, overheat, overvoltage, insufficient voltage, overspeed, abnormal state of encoder, position following error, current detecting error						
Operation Environment	Operating Temperature / Storage Temperature	0 ~ +50[°C] / -20 ~ +65[°C]						
	Operating Humidity / Storage Humidity	Below 80[%]RH / Below 90[%]RH(avoid dew-condensation)						
	Environment	Indoor, avoid corrosive, inflammable gas or liquid						

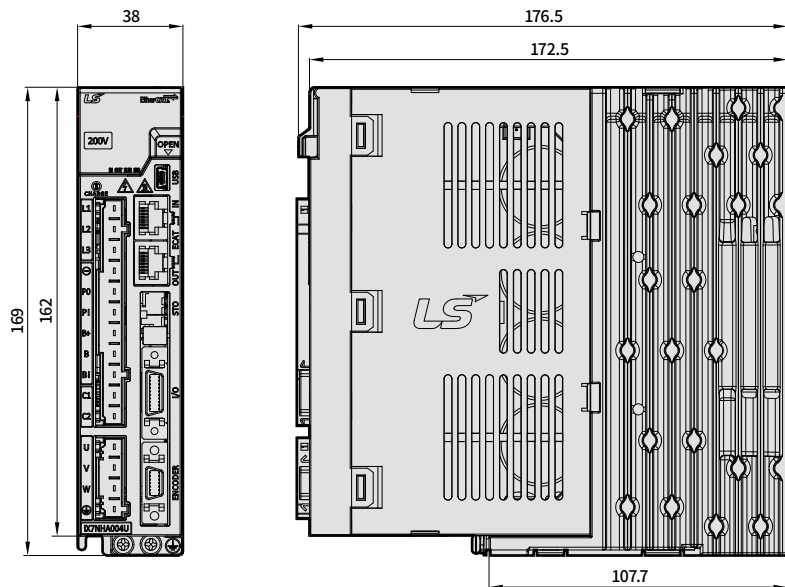
*Unit [mm]

iX7NHA001U / iX7NHA002U
[Weight : 0.8kg]



*Unit [mm]

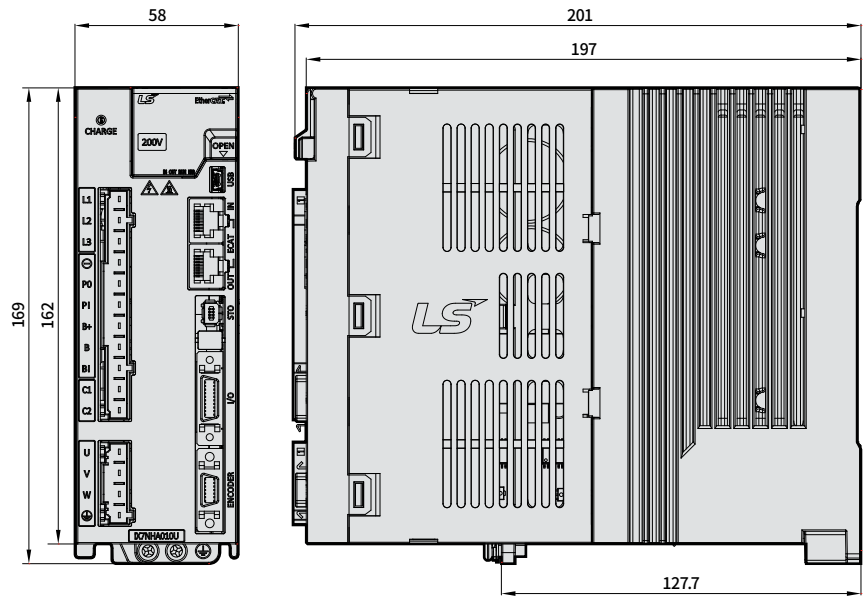
iX7NHA004U
[Weight : 1.0kg]



*Unit [mm]

iX7NHA008U / iX7NHA010U

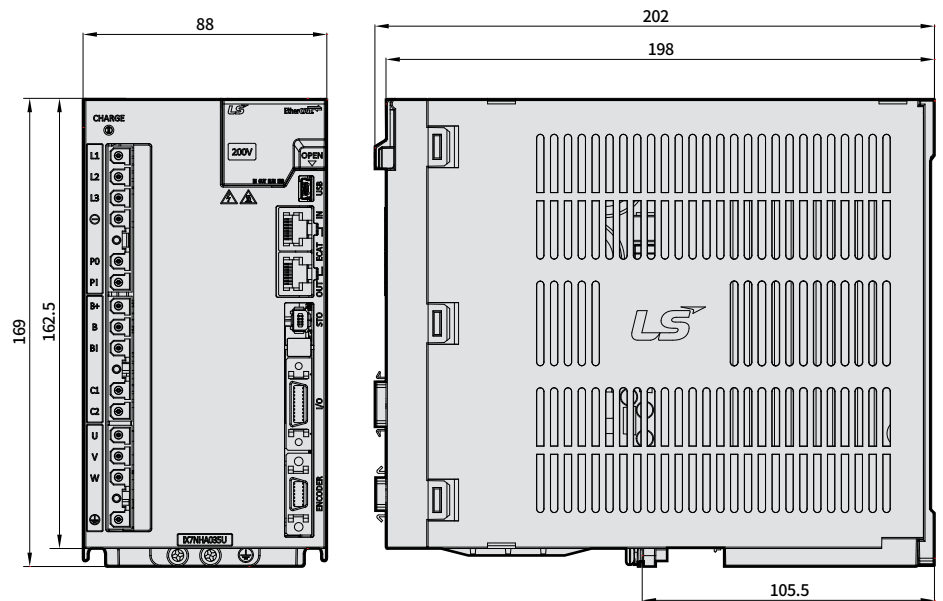
[Weight : 1.6kg
 (Fan-Cooling included)]



*Unit [mm]

iX7NHA020U / iX7NHA035U

[Weight : 2.4kg
 (Fan-Cooling included)]



Servo Drive

L7NH Series



Servo Drive Designation

L7	NH	A	004	U	AA
Communication	Input Power Supply	Capacity	Encoder Type	Option	
Network Type	A : 200VAC B : 400VAC	001 : 100W 002 : 200W 004 : 400W 008 : 750W 010 : 1.0kW 020 : 2.0kW 035 : 3.5kW 050 : 5.0kW 075 : 7.5kW 150 : 15kW	U : Universal	Exclusive Option Code	

All-in-One EtherCAT Communication Type **L7NH**

Real-time Control Through EtherCAT

- High speed, Real-time capability and Synchronization mechanism
- Improved EtherCAT communication speed (min. 250us, DC support)
- Supporting CoE, EoE and FoE
- Improved speed response(\approx 1kHz) frequency

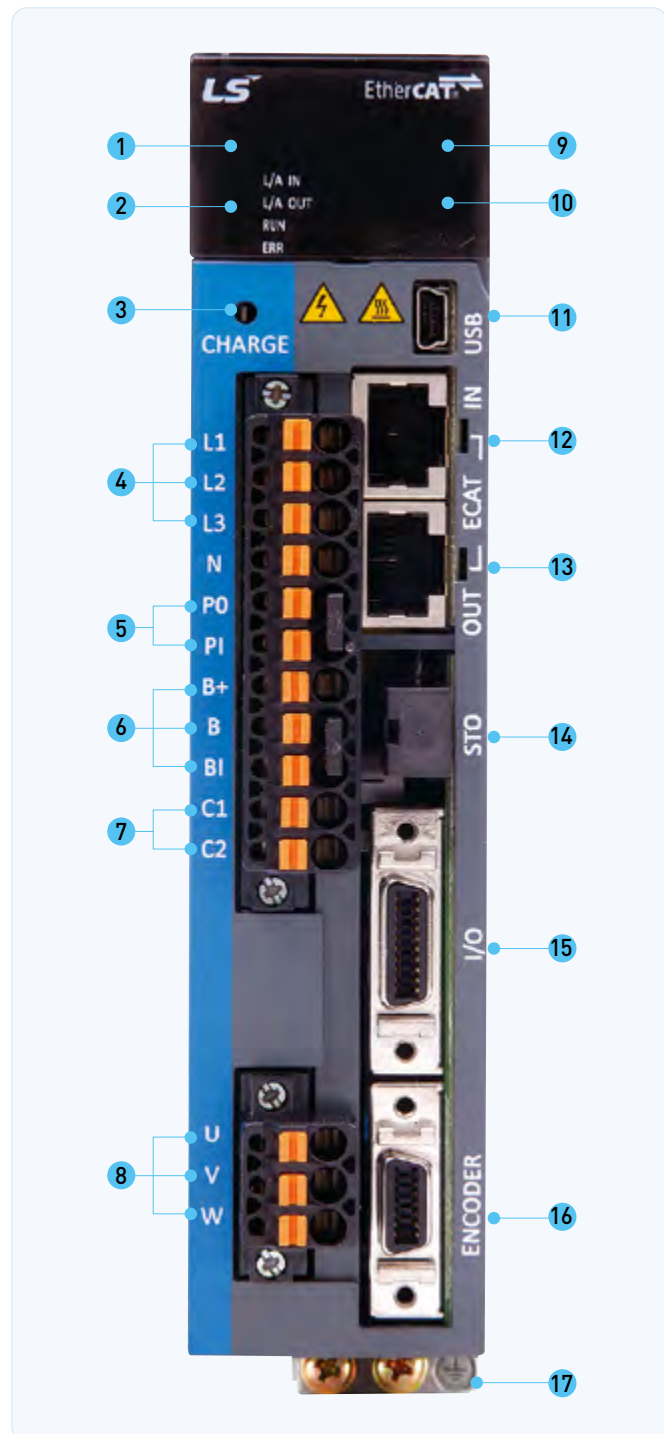
Support Various Motor and Encoder Drive

- Supporting rotary, DD and motor drive (Supporting 3rd party motor)
- Quadrature, BiSS-C, Tamagawa serial abs, EnDat 2.2, Resolver

Improved Control Performance

- Improved control bandwidth
- Providing 4-step Notch-filter
- Vibration control by Real-time FET
- Real-time gain tuning function

- 1 Display
- 2 State LED
- 3 Charge lamp
- 4 Main power connector (L1, L2, L3)
- 5 DC Reactor connector (PO, PI)
- 6 Regenerative resistance connector (B+, B, BI)
 - Short-Circuit B, BI terminals when standard type
 - Use B+, B terminals when using external resistor
- 7 Control power connector (C1, C2)
- 8 Servo motor connecting terminal (U,V,W)
- 9 Connector for analog monitor
- 10 Node address setting switch
- 11 USB Connector
- 12 EtherCAT Communication port(IN)
- 13 EtherCAT Communication port(OUT)
- 14 Safety connector(STO)
- 15 Input/Output signal/Connector
- 16 Encoder connector(ENCODER)
- 17 Ground terminal



L7NHA Drive

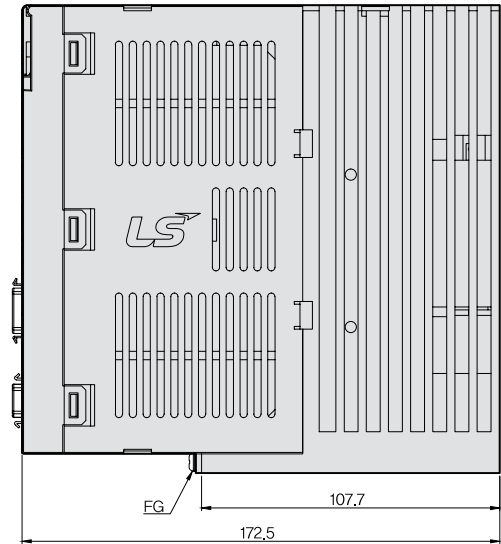
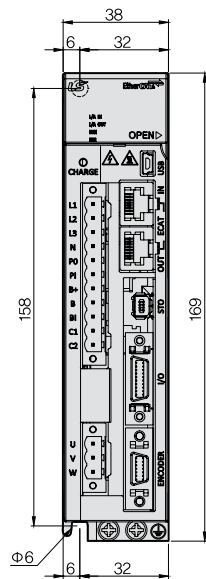
Item	Type Name	L7NHA001U	L7NHA002U	L7NHA004U	L7NHA008U	L7NHA010U	L7NHA020U	L7NHA035U	L7NHA050U	L7NHA075U	L7NHA150U
Input Power	Main Power Supply	3 Phase AC200 ~ 230[V](-15 ~ +10[%]), 50 ~ 60[Hz]									
	Control Power Supply	Single Phase AC200 ~ 230[V](-15 ~ +10[%]), 50 ~ 60[Hz]									
Rated Current[A]		1.4	1.7	3.0	5.2	6.8	13.5	16.7	32.0	39.4	76.0
Peak Current[A]		4.2	5.1	9.0	15.6	20.3	40.5	50.1	90.9	98.5	190.0
Encoder Type		Quadrature(Incremental), BiSS-B, BiSS-C(Absolute, Incremental) Tamagawa Serial(Absolute, Incremental), EnDat 2.2 Sinusoidal, Analog Hall									
Control Performance	Speed Control Range	Maximum 1: 5000									
	Frequency Response	Maximum 1[kHz] or above(When the 19-bit Serial Encoder is applied)									
	Speed Variation Ratio	±0.01[%] or lower(When the load changes between 0 and 100%) ±0.1[%] or less(Temperature of 25°C[±10])									
	Torque Control Repetition Accuracy	Within ±1%									
EtherCAT Communication Specifications	Communication Standard	FoE (Firmware download) EoE (Parameter setting by UDP, Tuning, Secondary function, Parameter copy) CoE (IEC 61158 Type12, IEC 61800-7 CIA 402 Drive profile)									
	Physical Layer	100BASE-TX(IEEE802.3)									
	Connector	RJ45 x 2									
	Communication distance	Within connection between nodes 100[m]									
	DC(Distributed Clock)	By DC mode synchronism. minimum DC cycle: 250[us]									
	LED Display	LinkAct IN, LinkAct OUT, RUN, ERR									
Digital Input / Output	Digital Input	Input Voltage range : DC 12[V] ~ DC 24[V] Total 8 input channels (allocable) Above 12 functions can be used selectively for assignment. (*POT, *NOT, *HOME, *STOP, *PCON, *GAIN2, *P_CL, *N_CL, PROBE1, PROBE2, EMG, A_RST)									
	Digital Output	Service rating: DC 24[V] ±10%, 120[mA] Total 4 input channels (allocable) Above 11 functions can be used selectively for assignment. (*BRAKE±, *ALARM±, *READY±, *ZSPD±, INPOS±, TLMT±, VLMT±, INSPD±, WARN±, TGO±, INPOS±)									
Safety Function		2 Input Channels (STO1, STO2), 1 Output Channels (EDM±)									
USB Communication	Function	Firmware download, Parameter setting, Tuning, Secondary function, Parameter copy									
	Communication Standard	USB 2.0 Full Speed (Applies standard)									
	Connect	PC or USB storing medium									
Internal Function	Dynamic Braking	Standard built-in brake (Activated when the servo alarm goes off or when the servo is off).									
	Regenerative Braking	Default built-in(excluding 15kW), external installation possible									
	Display Function	7 segments(5DIGIT)									
	Self-setting Function	The [MODE] key changes the content displayed in 7 segments									
	Additional Function	Auto gain tuning function									
Operation Environment	Protection Function	Overcurrent, overload, overvoltage, insufficient voltage, main power input problem, control power input problem, overspeed, motor cable, overheat(power module overheat, abnormal drive operation's temp), encoder problem, over-regenerative, sensor problem, communication problem									
	Operating Temperature / Storage Temperature	0 ~ +50[°C] / -20 ~ +70[°C]									
	Operating Humidity / Storage Humidity	Below 80[%]RH / Below 90[%]RH(Avoid dew-condensation)									
Environment		Indoor, Avoid corrosive, inflammable gas or liquid, and electrically conductive dust.									

L7NHB Drive

Item	Type Name	L7NHB010U	L7NHB020U	L7NHB035U	L7NHB050U	L7NHB075U	L7NHB150U
Input Power	Main Power Supply	3 Phase AC 380 ~ 480[V](-15 ~ 10[%]), 50 ~ 60[Hz]					
	Control Power Supply	Single Phase AC 380 ~ 480[V](-15 ~ 10[%]), 50 ~ 60[Hz]					
Rated Current[A]		3.7	8.0	10.1	17.5	22.8	39.0
Peak Current[A]		11.1	24.0	30.3	47.3	57.0	97.5
Encoder Type		Quadrature(Incremental), BiSS-B, BiSS-C(Absolute, Incremental) Tamagawa Serial(Absolute, Incremental), EnDat 2.2 Sinusoidal , Analog Hall					
Control Performance	Speed Control Range	Maximum 1: 5000					
	Frequency Response	Maximum 1[kHz] or above(When the 19-bit Serial Encoder is applied)					
	Speed Variation Ratio	±0.01[%] or lower(When the load changes between 0 and 100%) ±0.1[%] or less(Temperature of 25°C±10)					
	Torque Control Repetition Accuracy	Within ±1%					
EtherCAT Communication Specifications	Communication Standard	FoE (Firmware download) EoE (Parameter setting by UDP, Tuning, Secondary function, Parameter copy) CoE (IEC 61158 Type12, IEC 61800-7 CIA 402 Drive profile)					
	Physical Layer	100BASE-TX(IEEE802.3)					
	Connector	RJ45 x 2					
	Communication distance	Within connection between nodes 100[m]					
	DC(Distributed Clock)	By DC mode synchronism. minimum DC cycle: 250[us]					
	LED Display	LinkAct IN, LinkAct OUT, RUN, ERR					
	Cia402 Drive Profile	Profile Position Mode, Profile Velocity Mode Profile Torque Mode, Cyclic Synchronous Position Mode Cyclic Synchronous Velocity Mode, Cyclic Synchronous Torque Mode, Homing Mode					
Digital Input / Output	Digital Input	Input Voltage range : DC 12[V] ~ DC 24[V] Total 8 input channels (allocable) Above 12 functions can be used selectively for assignment. [*POT, *NOT, *HOME, *STOP, *PCON, *GAIN2, *P_CL, *N_CL, PROBE1, PROBE2, EMG, A_RST]					
	Digital Output	Service rating: DC 24[V] ±10%, 120[mA] Total 4 input channels (allocable) Above 11 functions can be used selectively for assignment. [*BRAKE±, *ALARM±, *READY±, *ZSPD±, INPOS±, TLMT±, VLMT±, INSPD±, WARN±, TGON±, INPOS±]					
Safety Function		2 Input Channels (STO1, STO2), 1 Output Channels (EDM±)					
USB Communication	Function	Firmware download, Parameter setting, Tuning, Secondary function, Parameter copy					
	Communication Standard	USB 2.0 Full Speed (applies standard)					
	Connect	PC or USB storing medium					
Internal Function	Dynamic Braking	Standard built-in brake (activated when the servo alarm goes off or when the servo is off).					
	Regenerative Braking	Default built-in(excluding 15kW), external installation possible					
	Display Function	7 segments(5DIGIT)					
	Self-setting Function	The [MODE] key changes the content displayed in 7 segments					
	Additional Function	Auto gain tuning function					
	Protection Function	Overcurrent, overload, overvoltage, insufficient voltage, main power input problem, control power input problem, overspeed, motor cable, overheat(power module overheat, abnormal drive operation's temp), encoder problem, over-regenerative, sensor problem, communication problem					
Operation Environment	Operating Temperature / Storage Temperature	0 ~ +50[°C] / -20~ +70[°C]					
	Operating Humidity / Storage Humidity	Below 80[%]RH / Below 90[%]RH(avoid dew-condensation)					
	Environment	Indoor, Avoid corrosive, inflammable gas or liquid, and electrically conductive dust.					

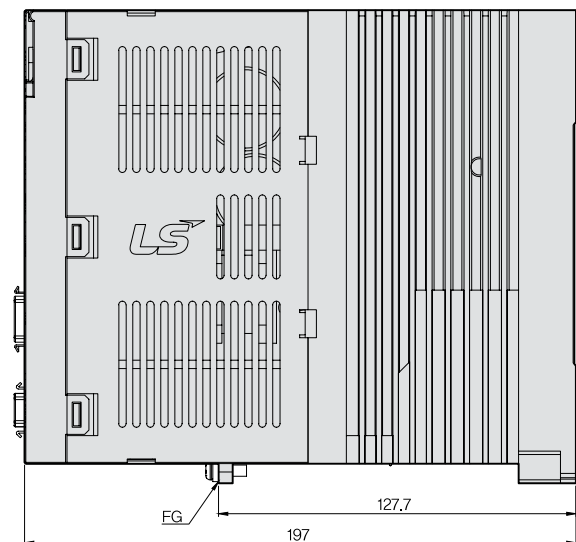
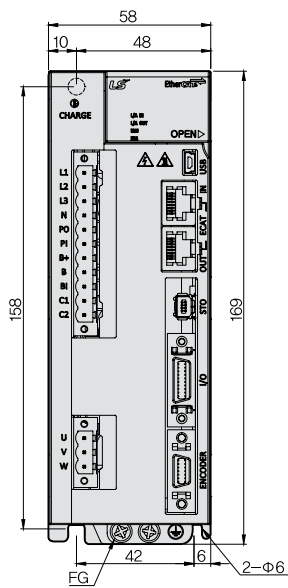
*Unit [mm]

L7NHA001U ~ L7NHA004U
[Weight: 1.0kg]



*Unit [mm]

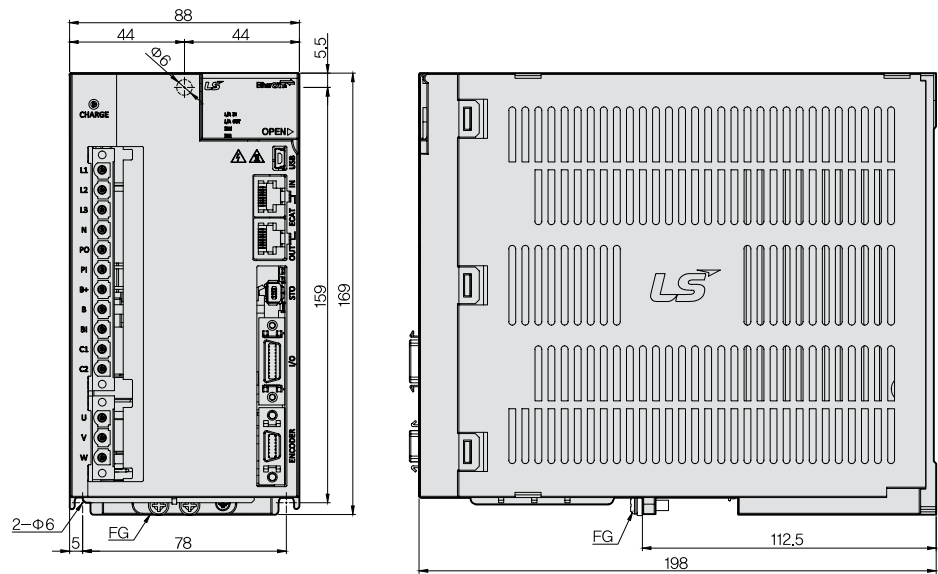
L7NHA008U / L7NHA010U
[Weight: 1.5kg
(Fan-Cooling included)]



*Unit [mm]

L7NHA020U / L7NHA035U

[Weight: 2.5kg
[Fan-Cooling included]]

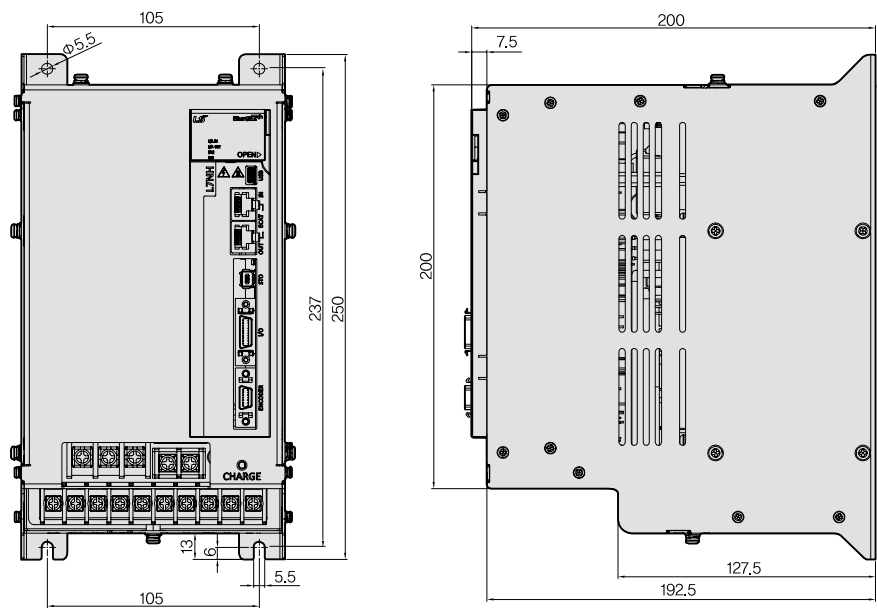


Servo Drive

*Unit [mm]

L7NHA050U

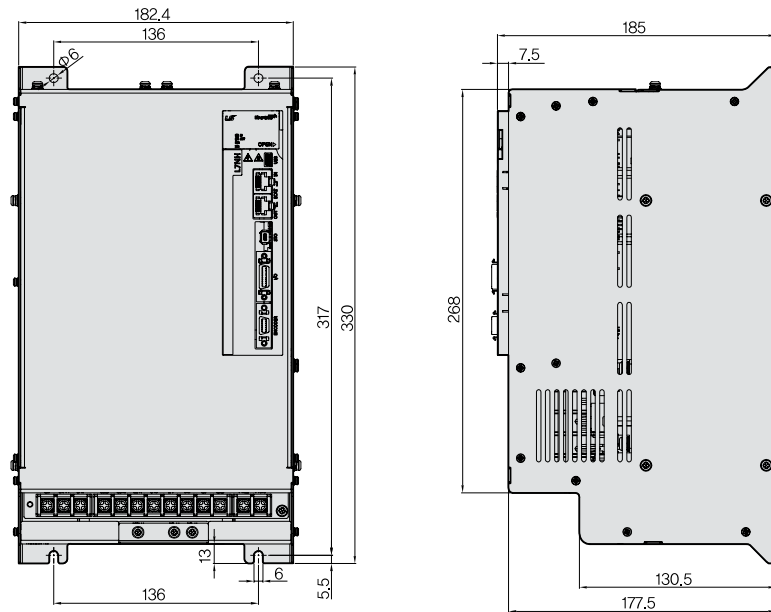
[Weight: 5.5kg
[Fan-Cooling included]]



*Unit [mm]

L7NHA075U

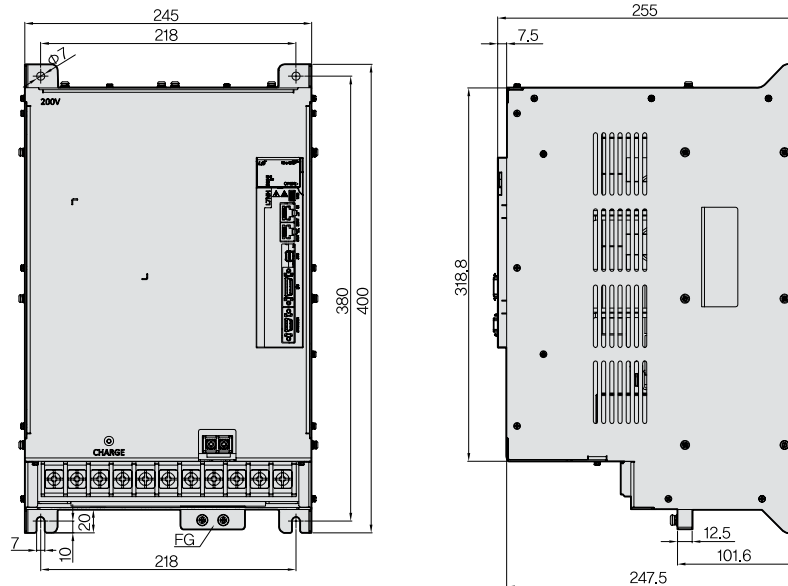
[Weight: 8.5kg
[Fan-Cooling included]]



*Unit [mm]

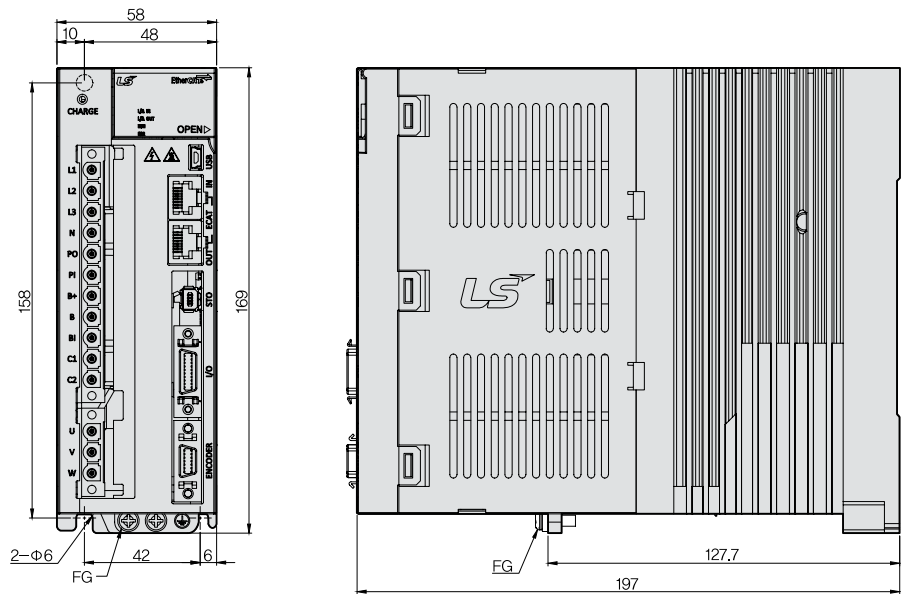
L7NHA150U

[Weight: 16.2kg
[Fan-Cooling included]]



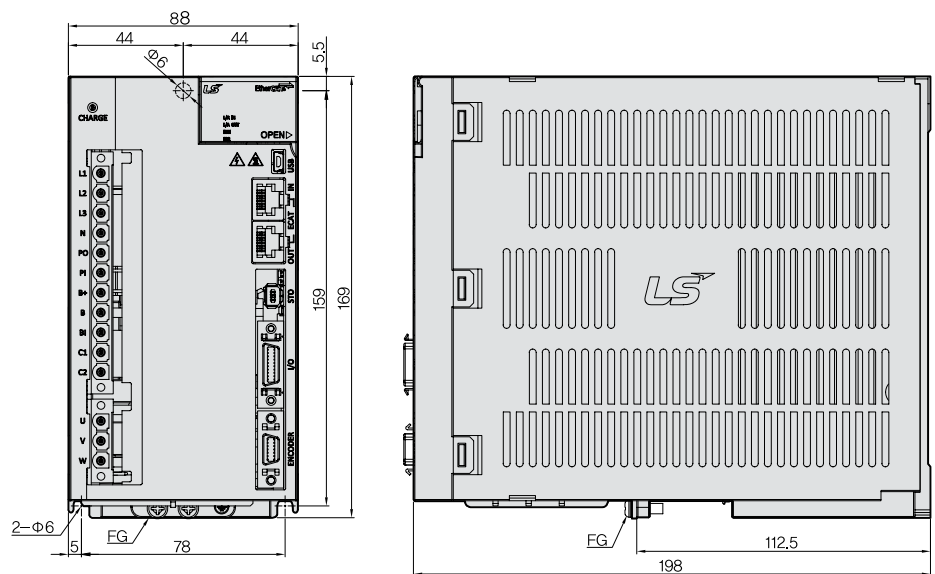
*Unit [mm]

L7NHB010U
 [Weight: 1.5kg
 (Fan-Cooling included)]



*Unit [mm]

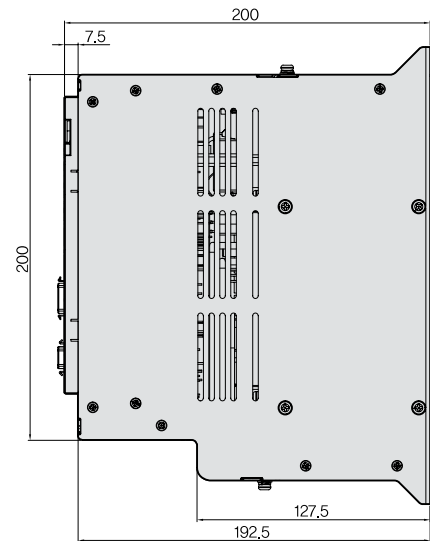
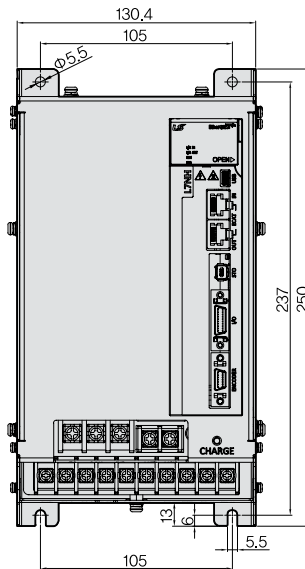
L7NHB020U / L7NHB035U
 [Weight: 2.5kg
 (Fan-Cooling included)]



*Unit [mm]

L7NHB050U

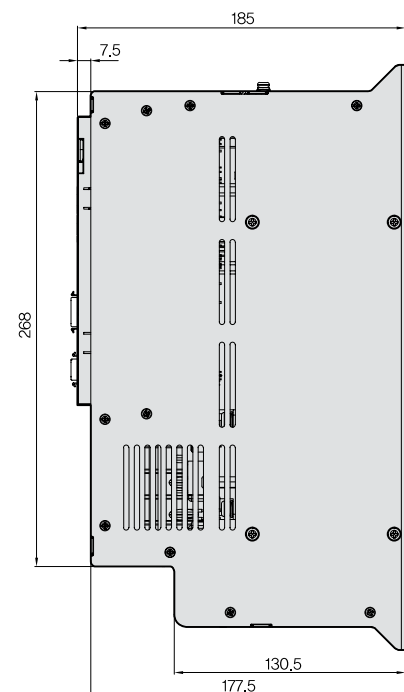
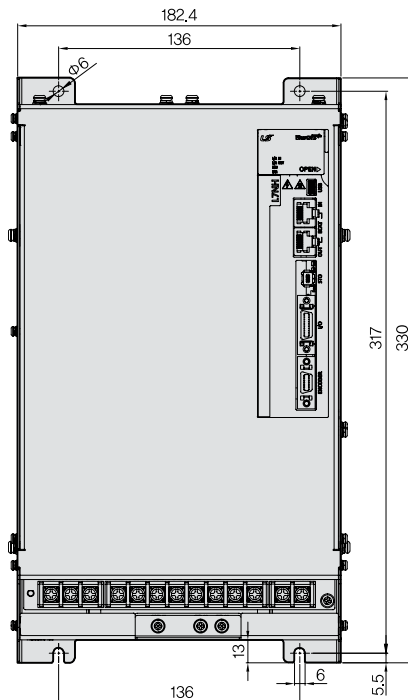
[Weight: 5.5kg
(Fan-Cooling included)]



*Unit [mm]

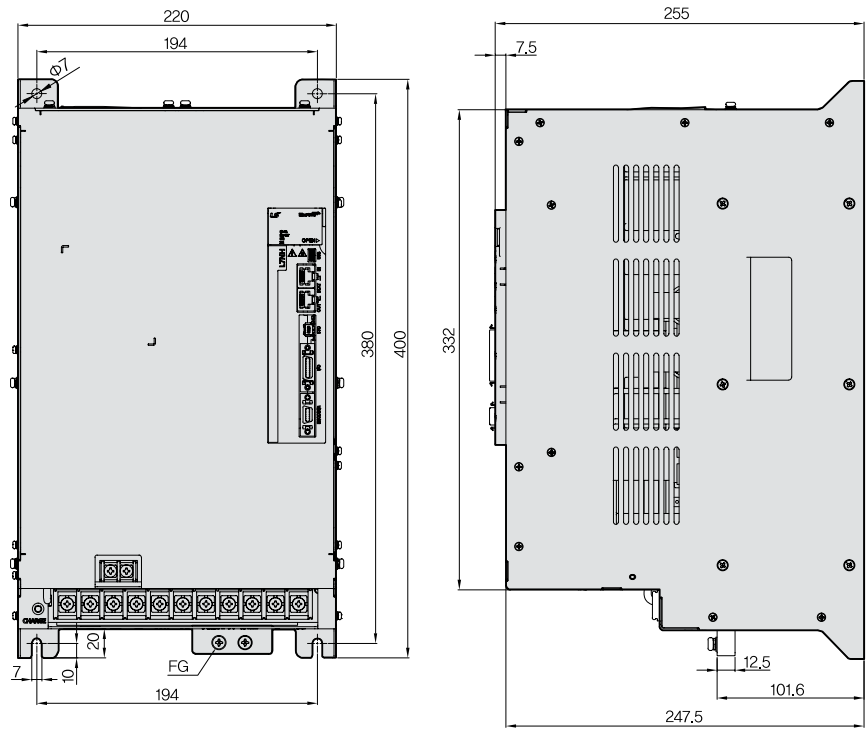
L7NHB075U

[Weight: 8.5kg
(Fan-Cooling included)]



*Unit [mm]

L7NHB150U
 [Weight: 15.5kg
 (Fan-Cooling included)]



L7NHF Series



Servo Drive Designation

L7	NHF	A	010	U	AA
Communication	Input Power Supply	Capacity	Encoder Type	Option	
All-in-One Type EtherCAT Type+ Full-Closed Type	A : 200VAC	004 : 400W 010 : 1.0kW 035 : 3.5kW 050 : 5.0kW 075 : 7.5kW	U : Universal	Exclusive Option Code	

All-in-One EtherCAT, Full-Closed System Control L7NHF

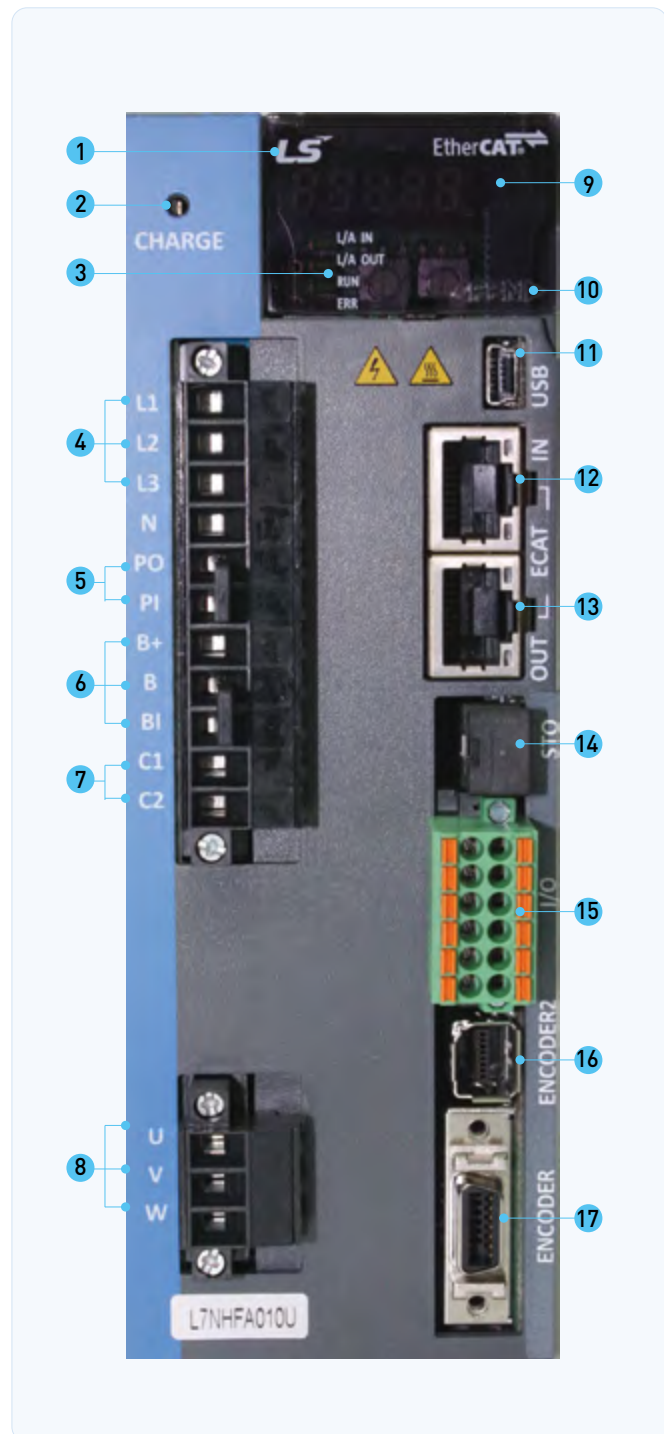
Real-time Control Through EtherCAT

- High speed, Real-time capability and synchronization mechanism
- Supporting CoE, EoE and FoE
- Improved speed response($\approx 1\text{kHz}$) frequency
- Improved communication speed by applying 16bit-bus
 - Improved chip communication speed
 - Improved EtherCAT communication speed

Fully-closed Loop Control

- Switch among Semi-closed loop control, Fully-closed loop control and dual feedback control
- Fully-closed loop control provides quick response with internal and external encoder position values
- Fully-closed loop control ensures high-precision control during machine operation

- 1 Display
- 2 Charge lamp
- 3 Status LED
- 4 Main power connector (L1, L2, L3)
- 5 DC Reactor connector (PO, PI)
- 6 Regenerative resistance connector (B+, B, BI)
- 7 Control power connector (C1, C2)
- 8 Servo motor connecting terminal (U,V,W)
- 9 Connector for analog monitor
- 10 Switch for node address setting
- 11 USB Connector
- 12 Ether CAT communication port(IN)
- 13 Ether CAT communication port(OUT)
- 14 Safety connector(STO)
- 15 Input/Outputsignal connector
- 16 Encoder2 connector(ENCODER2)
- 17 Encoder connector(ENCODER)



L7NHFA Drive

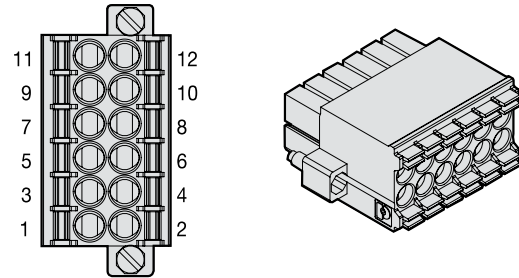
Item	Type Name	L7NHFA004U	L7NHFA010U	L7NHFA035U	L7NHFA050U	L7NHFA075U
Input Power	Main Power Supply	3 Phase AC200 ~ 230[V](-15 ~ +10[%]), 50 ~ 60[Hz]				
	Control Power Supply	Single Phase AC200 ~ 230[V](-15 ~ +10[%]), 50 ~ 60[Hz]				
Rated Current[A]		3.0	6.8	16.7	32	39.4
Peak Current[A]		9.0	20.3	50.1	90.9	98.5
1st Encoder Encoder A		Quadrature (Incremental), BiSS-B, BiSS-C (Absolute, Incremental) Tamagawa Serial (Absolute, Incremental), EnDat 2.2, Sinusoidal, Analog Hall				
2nd Encoder Encoder B		Quadrature (Incremental), SSI Sinusoidal, Analog Hall (Analog to BiSS converter)				
Control Performance	Speed Control Range	Maximum 1: 5000				
	Frequency Response	Maximum 1[kHz] or above(When the 19-bit Serial Encoder is applied)				
	Speed Variation Ratio	±0.01[%] or lower(When the load changes between 0 and 100%) ±0.1[%] or less(Temperature of 25°C[±10])				
	Torque Control Repetition Accuracy	Within ±1%				
	Input Frequency	4[Mpps], Lind Drive				
	Input Pulse Method	Symbol+Pulse series, CW+CCW, PhaseA/B				
Communication Specifications	Communication Standard	FoE (Firmware download) EoE (Parameter setting by UDP, Tuning, Secondary function, Parameter copy) CoE (IEC 61158 Type12, IEC 61800-7 CIA 402 Drive profile)				
	Physical Layer	100BASE-TX (IEEE802.3)				
	Connector	RJ45 x 2				
	Communication distance	Within connection between nodes 100[m]				
	DC(Distributed Clock)	By DC mode synchronism. minimum DC cycle: 250[us]				
	LED Display	LinkAct IN, LinkAct OUT, RUN, ERR				
	Cia402 Drive Profile	Profile Position Mode, Profile Velocity Mode. Profile Torque Mode, Cyclic Synchronous Position Mode Cyclic Synchronous Velocity Mode, Cyclic Synchronous Torque Mode, Homing Mode				
Digital Input / Output	Digital Input	Input Voltage range : DC12[V] ~ DC 24[V] Total 6 input channels(allocable) Above 15 functions can be used selectively for assignment. (*POT, *NOT, *HOME, *STOP, *PCON, *GAIN2, *P_CL, *N_CL, PROBE1, PROBE2, EMG, A_RST, SV_ON, LVSF, LVSF2) * Default signal				
	Digital Output	Total 3 input channels (Allocable) Total 11 output can be used selectively for assignment. (*BRAKE±, *ALARM±, *READY±, *ZSPD±, INPOS±, TLMT±, VLMT±, INSPD±, WARN±, TGON±, INPOS±) * Default signal				
	Analog Output	Total 2 channels (Allocable) Total 25 output can be used selectively for assignment.				
Safety Function		2 Input Channels (ST01, ST02)				
USB Communication	Function	Firmware download, Parameter setting, Tuning, Secondary function, Parameter copy				
	Communication Standard	USB 2.0 Full Speed (Applies standard)				
	Connect	PC or USB storing medium				
Internal Function	Dynamic Braking	Standard built-in brake (activated when the servo alarm goes off or when the servo is off).				
	Regenerative Braking	Default built-in(excluding 15kW), external installation possible				
	Display Function	7 segments(5DIGIT)				
	Self-setting Function	The [MODE] key changes the content displayed in 7 segments				
	Additional Function	Auto gain tuning function				
	Protection Function	Overcurrent, overload, overvoltage, insufficient voltage, overspeed, overheat(power module overheat, abnormal drive operation's temp), encoder problem, position tracking problem, current sensing problem				
Operation Environment	Operating Temperature / Storage Temperature	0 ~ 50[°C] ~ -20 ~ 65[°C]				
	Operating Humidity / Storage Humidity	Below 80[%]RH / Below 90[%]RH(Avoid dew-condensation)				
	Environment	Indoor, Avoid corrosive, inflammable gas or liquid, and electrically conductive dust.				

L7NHF Series I/O & Encoder2 PIN MAP

I/O Connector

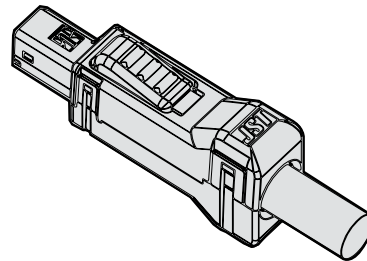
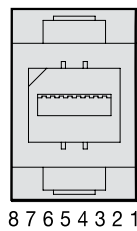
PIN No.	Signal	PIN No.	Signal
1	DICOM	7	DI6
2	FG	8	DI5
3	D2	9	DO2
4	DI1	10	DO1
5	DI4	11	DOCOM
6	DI5	12	DO3

DFMC 1.5 / 6-STF-3.5 (PHOENIX)



Encoder2 Connector

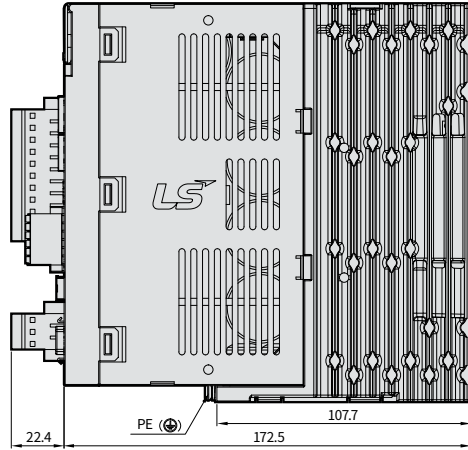
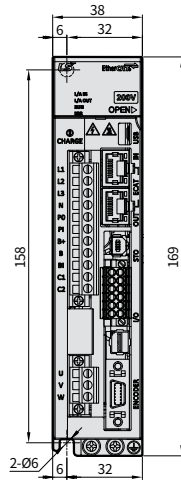
MUF-PK8K-X (JST)



PIN No.	Signal(Quadrature)	Signal(SS1)	PIN No.	Signal(Quadrature)	Signal(SS1)
1	5V	5V	5	B	CLK
2	GND	GND	6	/B	/CLK
3	A	DATA	7	Z	Z
4	/A	/DATA	8	/Z	/Z

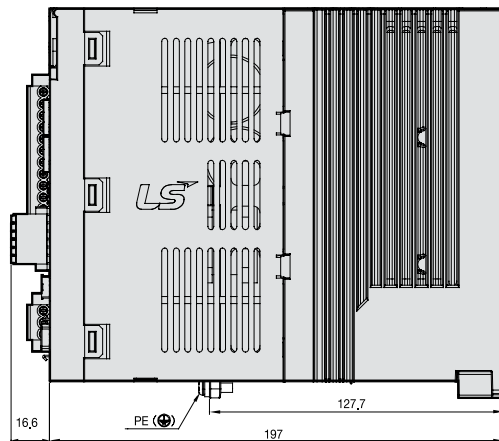
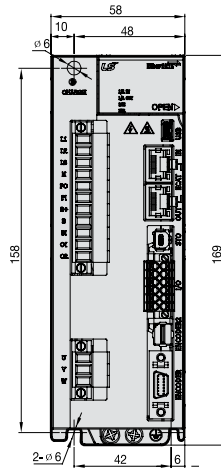
*Unit [mm]

L7NHFA004U
[Weight: 1.0kg]



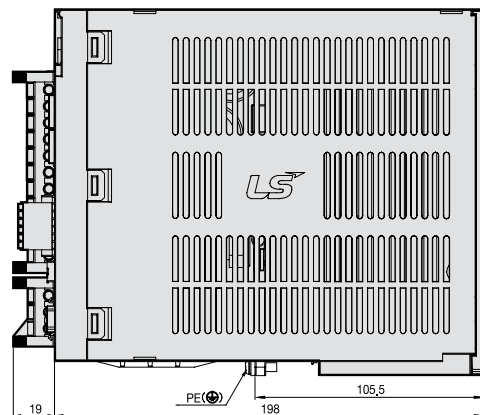
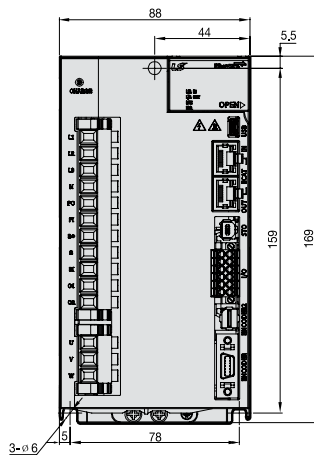
*Unit [mm]

L7NHFA010U
[Weight: 1.5kg
(Fan-Cooling included)]



*Unit [mm]

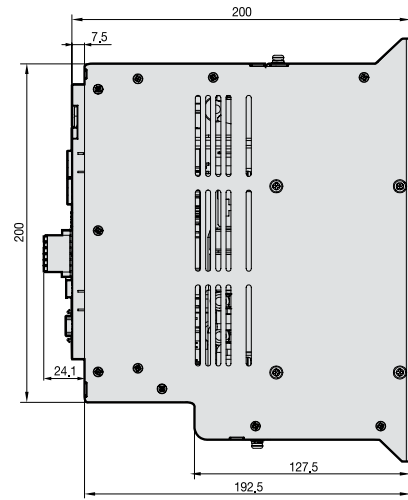
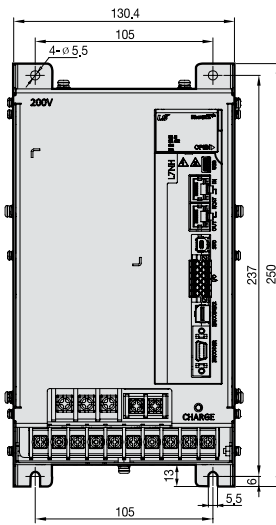
L7NHFA035U
[Weight: 2.5kg
(Fan-Cooling included)]



*Unit [mm]

L7NHFA050U

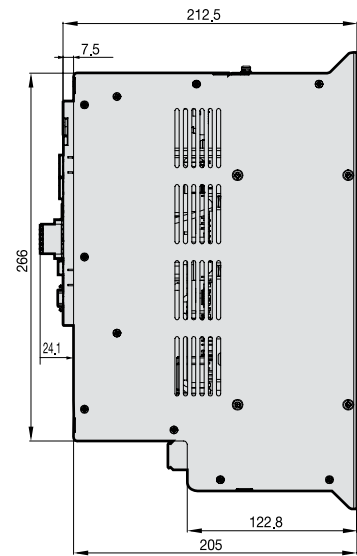
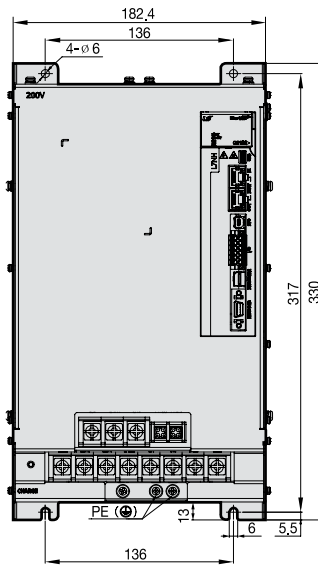
[Weight: 1.5kg
[Fan-Cooling included]]



*Unit [mm]

L7NHFA075U

[Weight: 2.5kg
[Fan-Cooling included]]



L7S Series



Servo Drive Designation

L7	S	A	004	B	AA
	Communication	Input Power Supply	Capacity	Encoder Type	Option
	Standard I/O Type	A : 200VAC B : 400VAC	001 : 100W 002 : 200W 004 : 400W 008 : 750W 010 : 1.0kW 020 : 2.0kW 035 : 3.5kW 050 : 5.0kW 075 : 7.5kW 150 : 15.0kW	A : Incremental B : Serial	Exclusive Option Code

Pulse, Analog Command Type **L7S**

Easy to USE

- Easy gain tuning with automatic inertia estimating function
- Easy setting Built-in panel operator
- Many I/O contacts and various functions
(Digital input: 10 contacts, Digital output: 8 contacts / Analog input, output: 2 contacts)

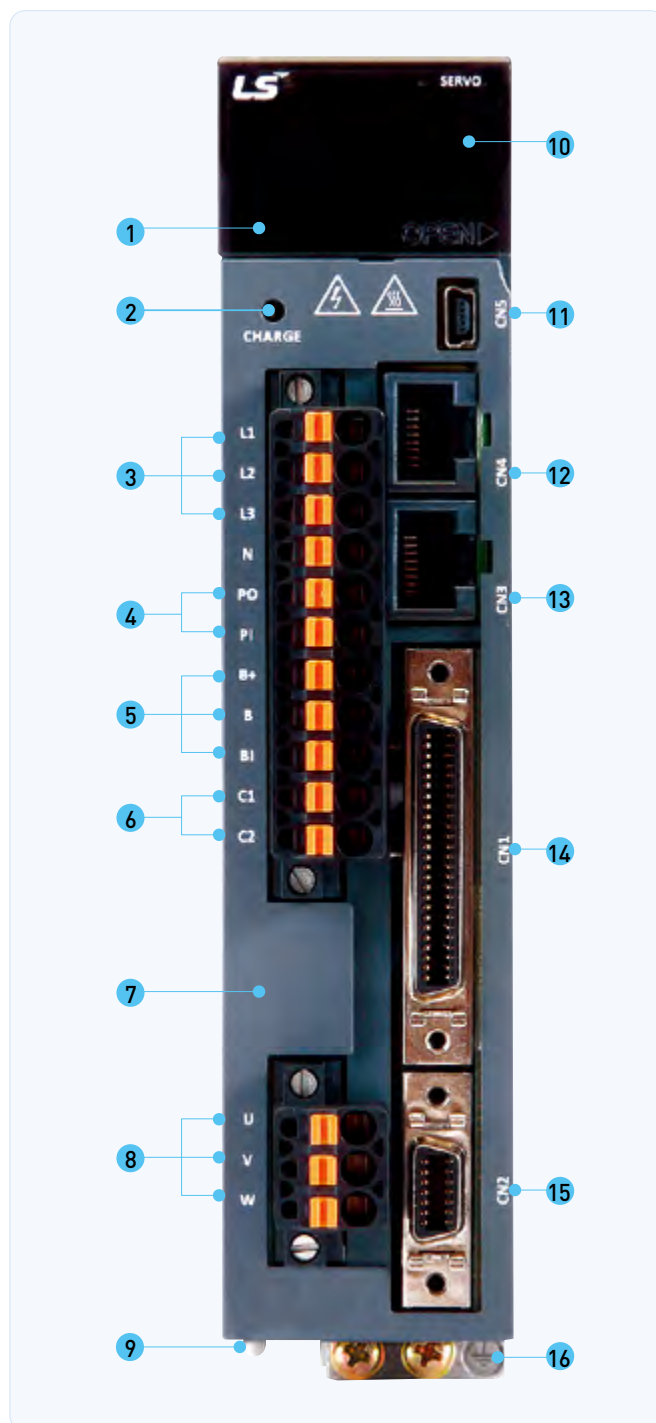
Reliability for Protection Function

- CE, RoHS Certificated
- Drive Protection Function and Warn Function

High Response for Precision Control

- High Resolutions Serial type Encoder(19Bit, BiSS)
- Improved Speed Response(\approx 1KHz) Frequency

- 1 Operation keys (Mode, Up, Down, Set)
- 2 Charge lamp
- 3 Main power connector (L1, L2, L3)
- 4 DC Reactor connector(PO, PI)
 - Short-Circuit when not used
- 5 Regenerative resistance connector (B+, B, BI)
 - Short-Circuit B, BI terminals when standard type
 - Use B+, B terminals when using external resistor
- 6 Control power connector (C1, C2)
- 7 Front cover
- 8 Motor power cable connector (U, V, W)
- 9 Heat sink
- 10 Display
- 11 CN5: USB Connector
- 12 CN4: RS-422 communication connector
- 13 CN3: RS-422 communication connector
- 14 CN1: Control signal connector
- 15 CN2: Encoder signal connector
- 16 Ground



L7SA Drive

Item	Type Name	L7SA001□	L7SA002□	L7SA004□	L7SA008□	L7SA010□	L7SA020□	L7SA035□	L7SA050□	L7SA075B	L7SA150B	
Input Power	Main Power Supply	3 Phase AC200 ~ 230[V](-15 ~ +10[%]), 50 ~ 60[Hz]										
	Control Power Supply	Single Phase AC200 ~ 230[V](-15 ~ +10[%]), 50 ~ 60[Hz]										
Rated Current[A]		1.4	1.7	3.0	5.2	6.8	13.5	16.7	32.0	39.4	76.0	
Peak Current[A]		4.2	5.1	9.0	15.6	20.3	40.5	50.1	96.0	98.5	190.0	
Encoder Type		Quad.TypeIncremental line driver2,000~10,000[P/R] serial type18Bit (100WCM8only),19bit,20bit(DDmotoronly)										
Control Performance	Speed Control	Speed Control Range	Maximum 1: 5000									
		Frequency Response	Maximum 1 [kHz] or above (When using 19bit Serial encoder)									
		Speed Command	DC -10 [V]~+10 [V] (Reverse rotation in case of negative voltage)									
		Accel/Decel Time	Straight or S-curve acceleration/deceleration (0-10,000 [ms], possible to be set by one [ms] unit)									
		Speed Variation Ratio	±0.01[%]orlower[When load changes between oand100%] ±0.1[%]orlower[Temperature25±10°C]									
	Position Control	Input Frequency	1[Mpps], Line driver / 200[kpps], Open Collector									
		Input Pulse Type	Symbol + Pulse series, CW+CCW, A/B Phase									
		Electric Gear Ratio	Four digital gear ratios can be set, selected and tuned.									
	Torque Control	Torque Command	DC-10~+10 [V] (Reverse direction torque in case of negative voltage)									
		Speed Limit	DC 0~10 [V], internal speed command within ±1[%]									
Repetition accuracy		Within ±1[%]										
Input/Output Signal	Analog Input	Input Range	DC -10 ~ +10[V]									
		Resolution	12[bit]									
	Analog Output	Output Range	DC -10 ~ +10[V]									
		Resolution	12[bit]									
	Digital Input	Total 10 Input channels(Assignment available) SVON, SPD1, SPD2, SPD3, ALMRST, DIR, CCWLIM, CWLIM, EMG, STOP, EGEAR1, EGEAR2, PCON, GAIN2, P_CLR, T_LMT, MODE, ABS_RQ, ZCLAMP Above 19 functions can be used selectively for assignment Signal can be set as positive logic or negative logic										
	Digital Output	Total 5 Channels(Assignment available), 3 Channels(Set as alarm code) ALARM, READY, ZSPD, BRAKE, INPOS, TLMT, VLMT, INSPD, WARN Above 9 outputs can be used selectively for assignment Signal can be set as positive logic or negative logic										
Communication	RS-422	Accessible to PC software and the RS422 server										
	USB	Status monitoring, JOG operation, parameter upload/download are available with PC Software										
Encoder		Serial BiSS encoder and quadrature encoder supported										
Encoder Output Type		Random pre-scale output through FPGA (Maximum 6.4 Mpps)										
Built-in functions	Dynamic Braking	Standard built-in (Activated when the servo alarm goes off or when the servo is off)										
	Regenerative Braking	Default built-in(excluding 15kW), external installation possible										
	Display	Seven segments (5 DIGIT)										
	Setting Function	Loader (SET, MODE, UP, and [DOWN] keys)										
	Additional Function	Auto gain tuning, phase Z detection, manual JOG operation, program JOG operation, automatic analog input calibration										
	Protective Function	Overcurrent, overload, overvoltage, insufficient voltage, main power input problem, control power input problem, overspeed, motor cable, overheat(power module overheat, abnormal drive operation's temp), encoder problem, over- regenerative, sensor problem, communication problem										
Operation Environment	Operating Temperature / Storage Temperature	0 ~ +50[°C] / -20 ~ +70[°C]										
	Operating Humidity / Storage Humidity	Below 80[%]RH / Below 90[%]RH(Avoid dew-condensation)										
	Environment	Indoor, Avoid corrosive, inflammable gas or liquid, and electrically conductive dust.										

* L7SA075 and L7SA150 do not support Incremental type

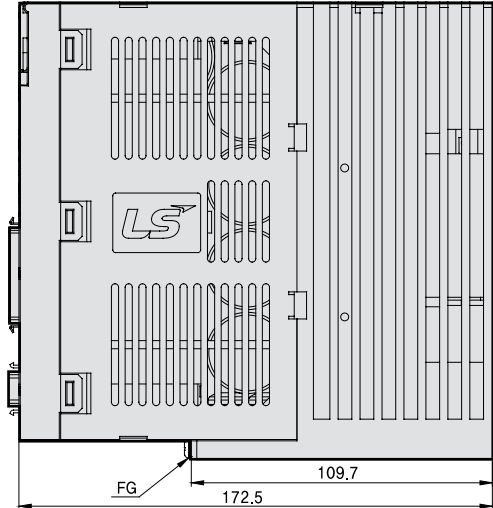
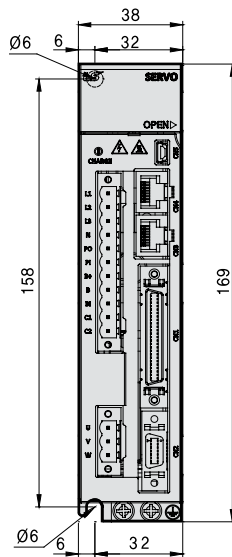
L7SB Drive

Item	Type Name	L7SB010B	L7SB020B	L7SB035B	L7SB050B	L7SB075B	L7SB150B	
Input Power	Main Power Supply	3 Phase AC380 ~ 480[V](-15 ~ +10[%]), 50 ~ 60[Hz]						
	Control Power Supply	Single Phase AC380 ~ 480[V](-15 ~ +10[%]), 50 ~ 60[Hz]						
Rated Current[A]		3.7	8.0	10.1	17.5	22.8	39.0	
Peak Current[A]		11.1	24.0	30.3	52.5	57.0	97.5	
Encoder Type		19Bit						
Control Performance	Speed Control	Speed Control Range	Maximum 1: 5000					
		Frequency Response	Maximum 1 [kHz] or above (When the 19-bit serial encoder is applied)					
		Speed Command	DC -10 [V]~+10 [V] (Reverse rotation in case of negative voltage)					
		Accel/Decel Time	Straight or S-curve acceleration/deceleration (0-10,000 [ms], possible to be set by one [ms] unit)					
		Speed Variation Ratio	±0.01 [%] or lower [When load changes between 0 and 100%], ±0.1[%] or lower [Temperature 25 ±10°C]					
	Position Control	Input Frequency	1[Mpps], Line driver / 200[kpps], Open collector					
		Input Pulse Type	Symbol + pulse series, CW+CCW, A/B phase					
		Electric Gear Ratio	Four digital gear ratios can be set, selected and tuned.					
	Torque Control	Torque Command	DC -10~+10 [V] (Reverse direction torque in case of negative voltage)					
		Speed Limit	DC 0~10 [V], internal speed command within ±1[%]					
		Repetition accuracy	Within ±1[%]					
	Input/Output Signal	Analog Input	Input Range	DC -10 ~ +10[V]				
Resolution			12[bit]					
Analog Output		Output Range	DC -10 ~ +10[V]					
		Resolution	12[bit]					
Digital Input		A total of 10 input channels (Allocable) SVON, SPD1, SPD2, SPD3, ALMRST, DIR, CCWLIM, CWLIM, EMG, STOP, EGEAR1, EGEAR2, PCON, GAIN2, P_CLR, T_LMT, MODE, ABS_RQ, ZCLAMP You can selectively allocate a total of 19 functions. You can set the positive/negative logic of the selected signal.						
Digital Output		A total of 5 channels (Allocable), 3 channels (Fixed with alarm codes) ALARM, READY, ZSPD, BRAKE, INPOS, TLMT, VLMT, INSPD, WARN You can selectively allocate a total of nine kinds of output. You can set the positive/negative logic of the selected signal.						
Communication	RS-422	Accessible to PC software and the RS422 server						
	USB	Status monitoring through PC software, JOG operation, and parameter uploading/downloading are possible.						
Encoder		Serial BiSS encoder and quadrature encoder supported						
Encoder Output Type		Random pre-scale output through FPGA (Maximum 6.4 Mpps)						
Built-in functions	Dynamic Braking	Standard built-in (Activated when the servo alarm goes off or when the servo is off)						
	Regenerative Braking	Both default built-in and external installation possible					External installation possible	
	Display	Seven segments (5 DIGIT)						
	Setting Function	Loader [SET, MODE, UP, and [DOWN] keys]						
	Additional Function	Auto gain tuning, phase Z detection, manual JOG operation, program JOG operation, automatic analog input calibration						
	Protective Function	Overcurrent, overload, overvoltage, voltage lack, main power input error, control power input error, overspeed, motor cable, heating error (power module heating, drive temperature error), encoder error, excessive regeneration, sensor error, communication error						
Operation Environment	Operating Temperature / Storage Temperature	0 ~ +50[°C] / -20 ~ +70[°C]						
	Operating Humidity / Storage Humidity	Below 80[%]RH / Below 90[%]RH(Avoid dew-condensation)						
	Environment	Indoor, avoid corrosive, inflammable gas or liquid, and electrically conductive dust.						

*Unit [mm]

L7SA001□~L7SA004□

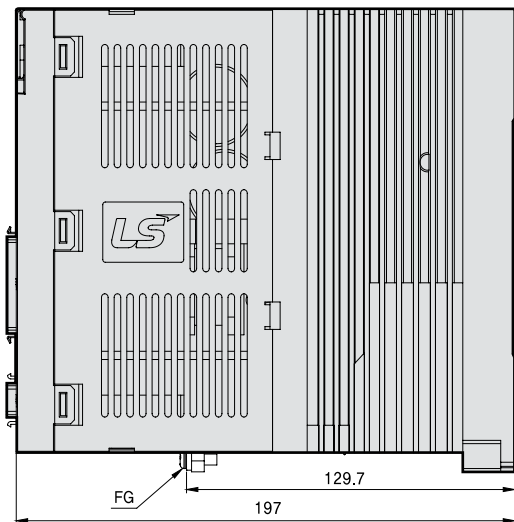
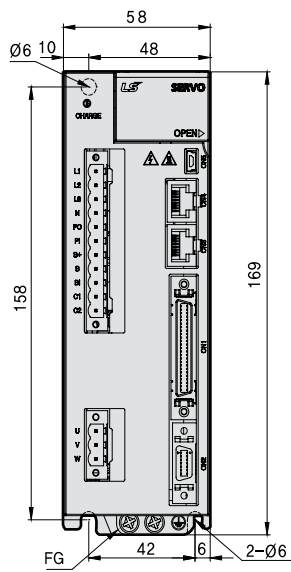
[Weight: 1.0kg]



*Unit [mm]

L7SA008□~L7SA010□

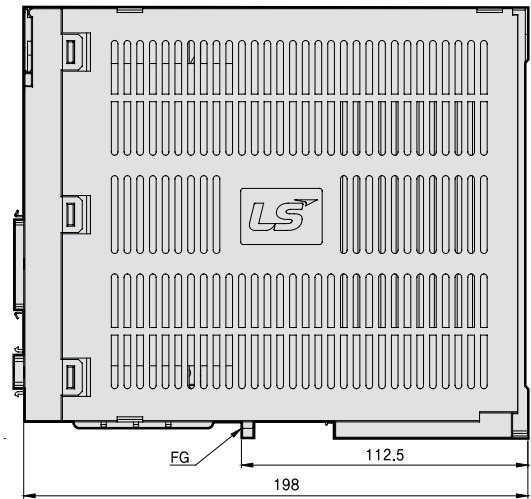
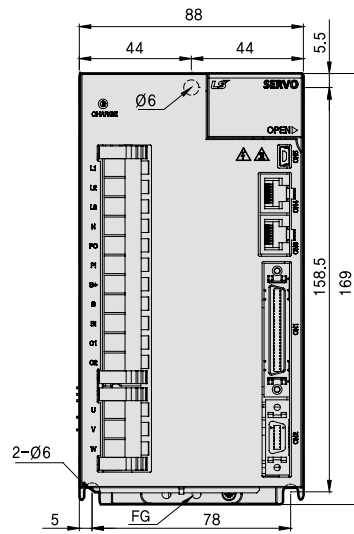
[Weight: 1.5kg
[Fan-Cooling included]]



*Unit [mm]

L7SA020□~L7SA035□

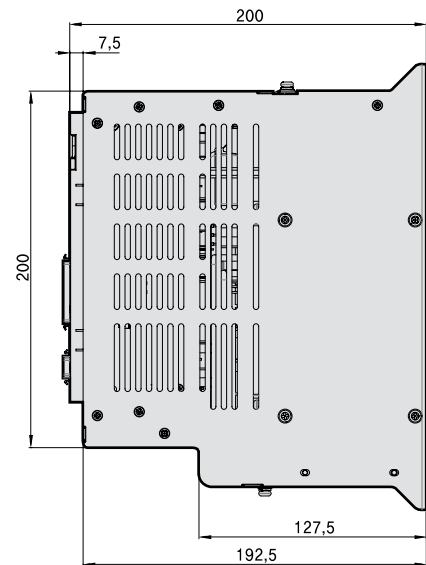
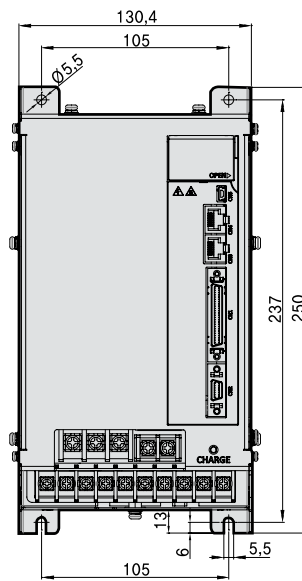
[Weight: 2.5kg
[Fan-Cooling included]]



*Unit [mm]

L7SA050□

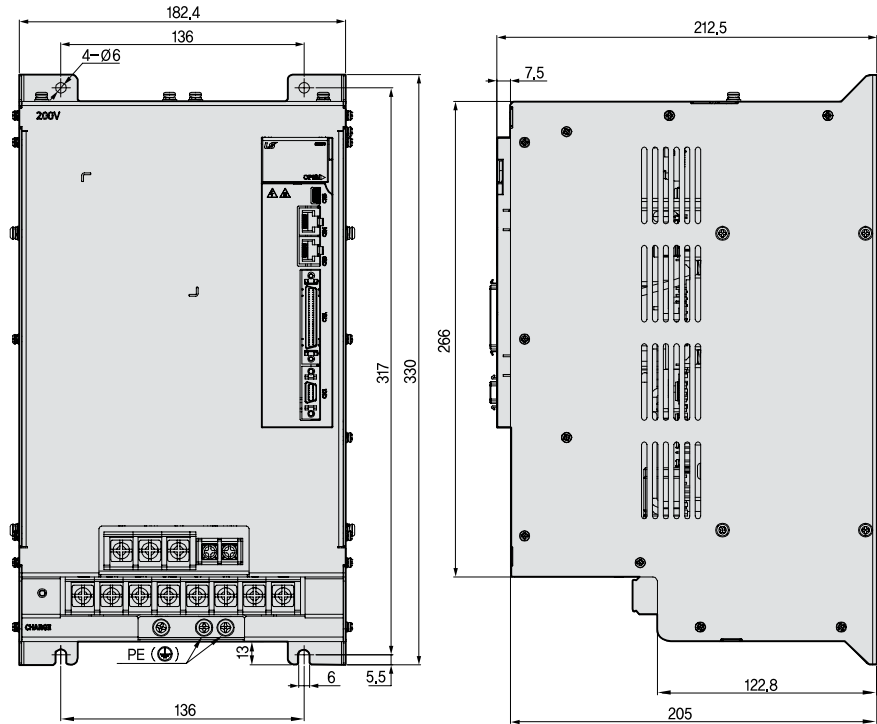
[Weight: 5.5kg
[Fan-Cooling included]]



*Unit [mm]

L7SA075B

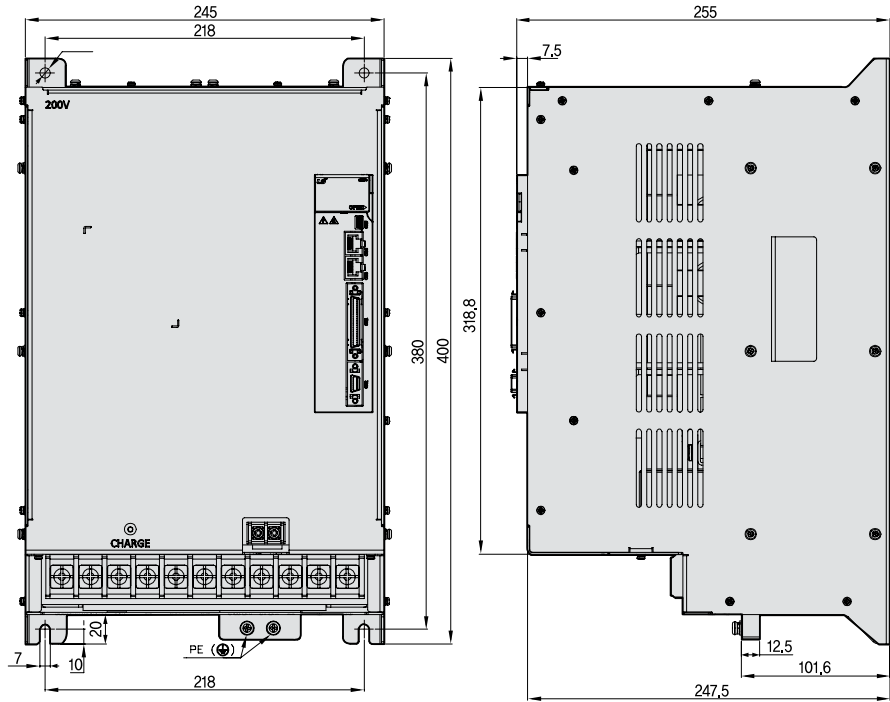
[Weight: 8.5kg
[Fan-Cooling included]]



*Unit [mm]

L7SA150B

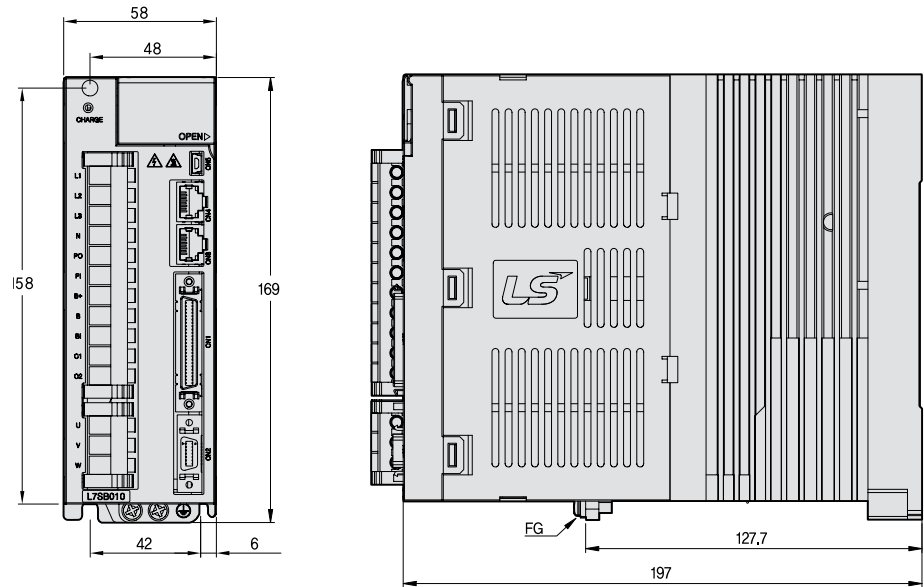
[Weight: 16.2kg
[Fan-Cooling included]]



*Unit [mm]

L7SB010B

[Weight: 1.5kg
[Fan-Cooling included]]

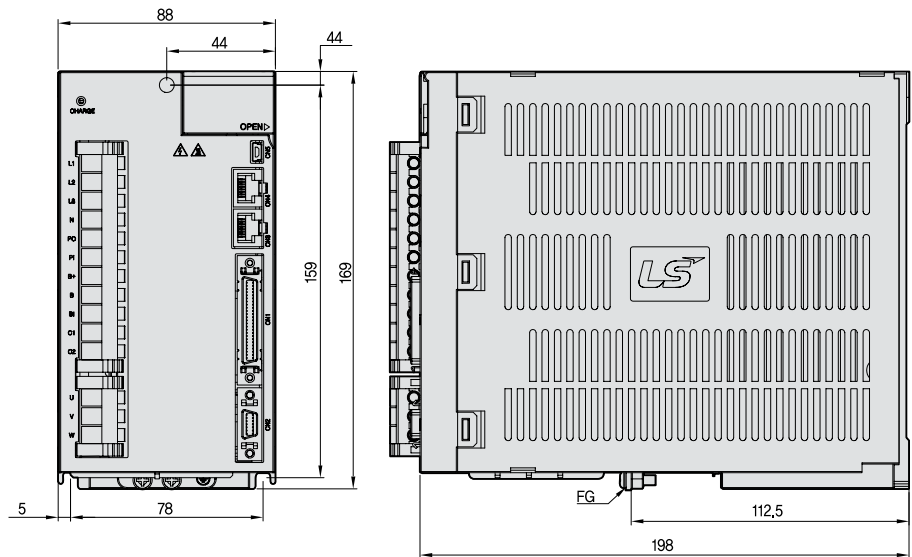


Servo Drive

*Unit [mm]

L7SB020B / L7SB035B

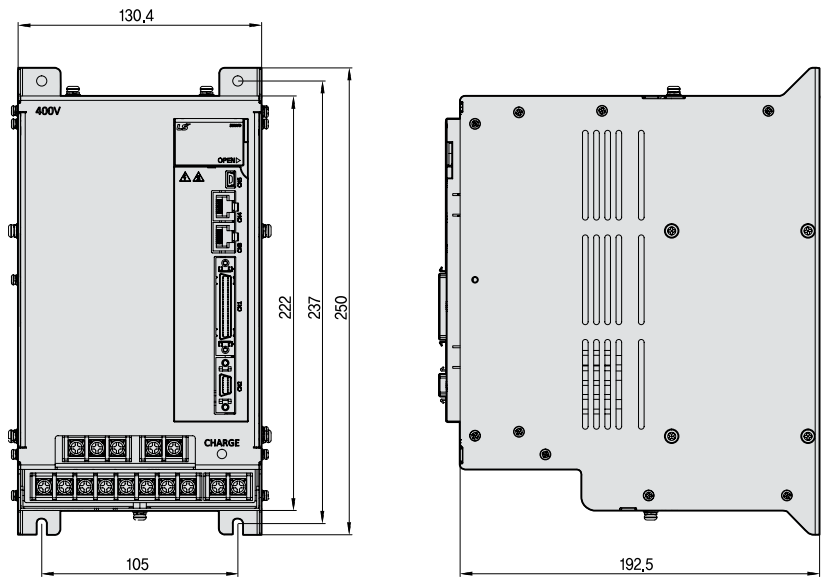
[Weight: 2.5kg
[Fan-Cooling included]]



*Unit [mm]

L7SB050B

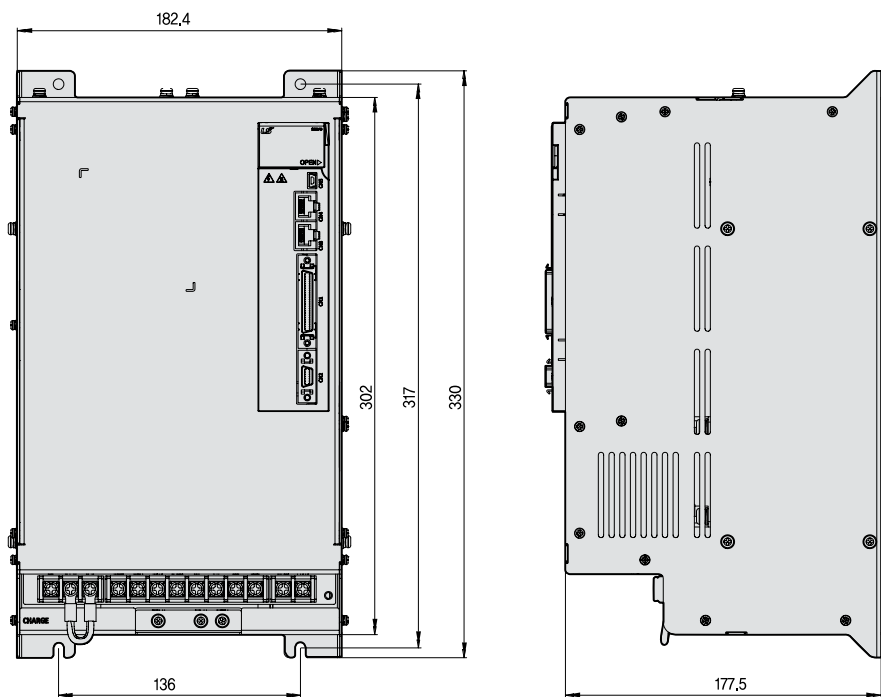
[Weight: 5.5kg
(Fan-Cooling included)]



*Unit [mm]

L7SB075B

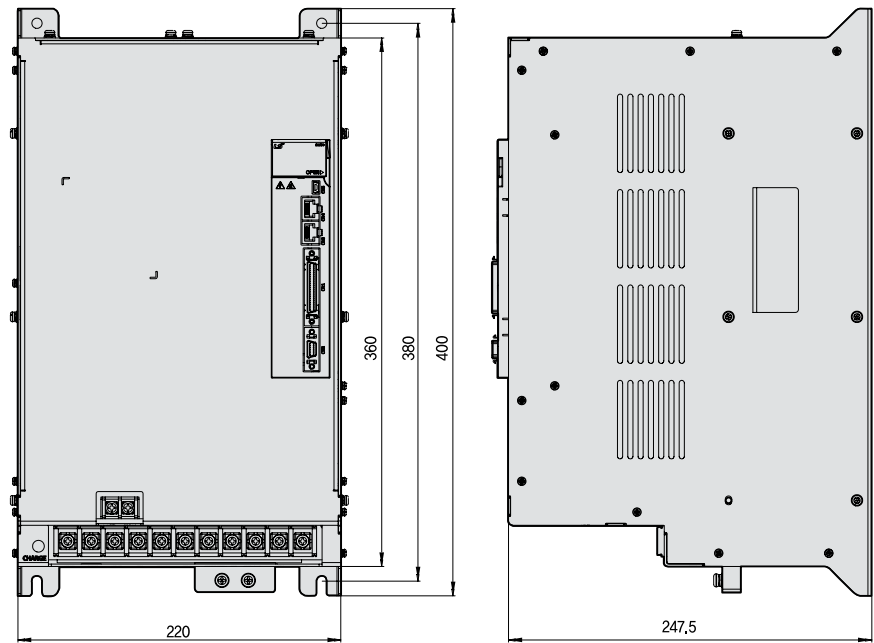
[Weight: 8.5kg
(Fan-Cooling included)]



*Unit [mm]

L7SB150B

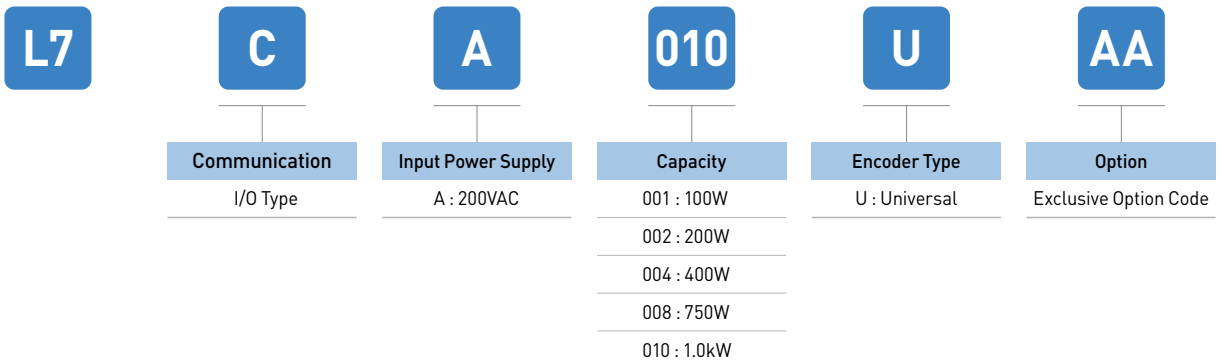
[Weight: 15.5kg
[Fan-Cooling included]]



L7C Series



Servo Drive Designation



Pulse, Analog Command Type **L7C**

Control Power/Main power Unification

- Unification of power for integrated control board and power board
- 0.1~1kW Drive Line-up for single phase AC220V support

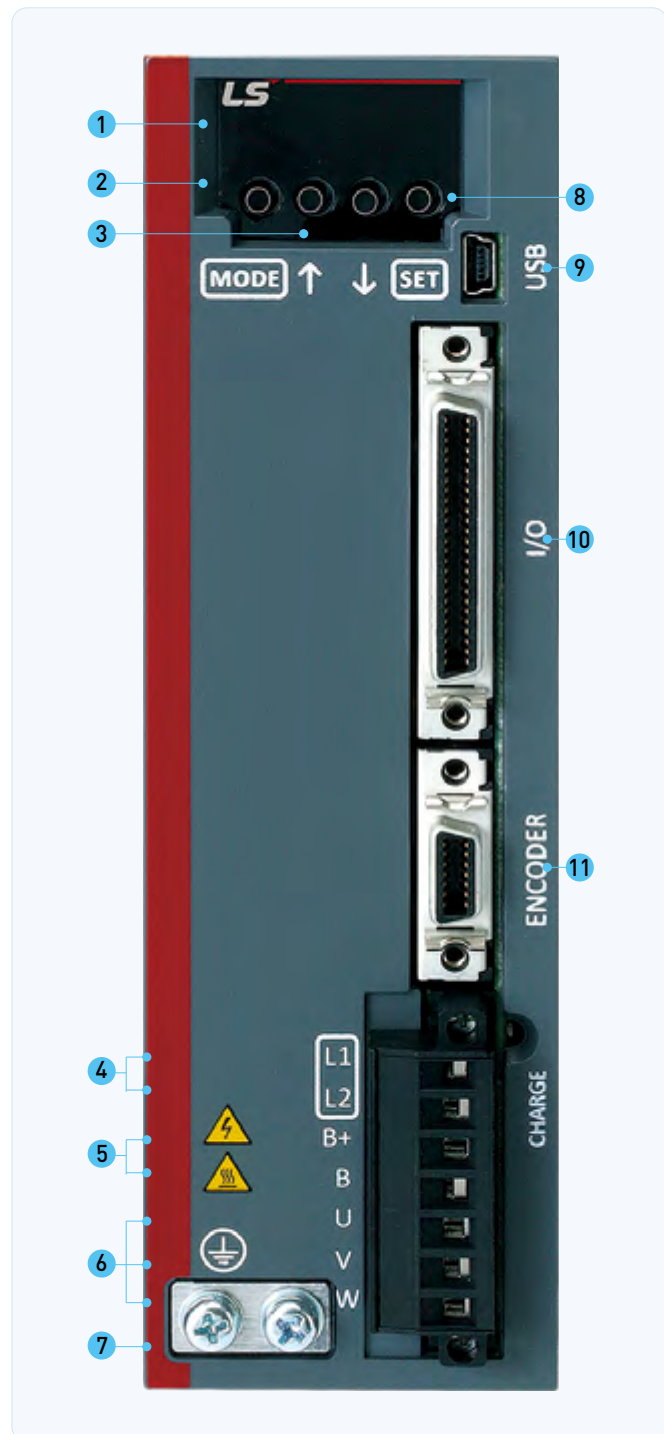
Optimal System Implementation With Competitive Cost Ratio

- Unification of power for integrated control board and power board

Maintain and Improve L7S Specification

- Compatibility with existing L7S I/O pin map
- Maintain current control cycle (10kHz), speed/position control cycle (5kHz)
- Added operation mode (indexing mode) and improved memory (1MB)

- 1 Display
- 2 Mode switch
- 3 Operation switch(Up/down)
- 4 Main power terminal (L1, L2)
- 5 Regenerative resistance terminal (B+, B)
- Mounting external resistance [B+, B]
- 6 Servo motor connecting terminal (U,V,W)
- 7 Ground
- 8 Set-up switch
- 9 USB connector
- 10 Control signal connector(I/O)
- 11 Encoder connector[ENCODER]



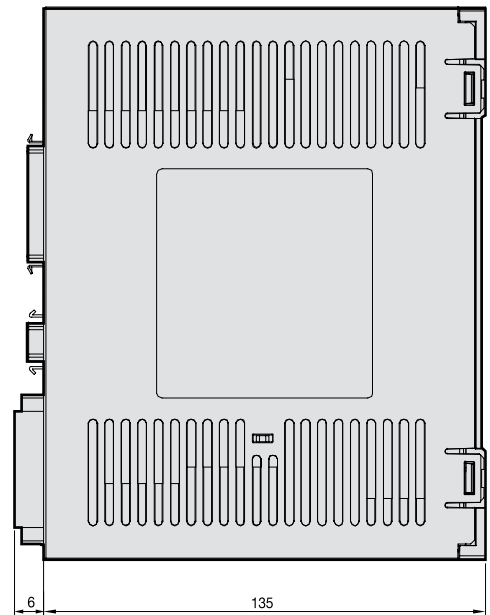
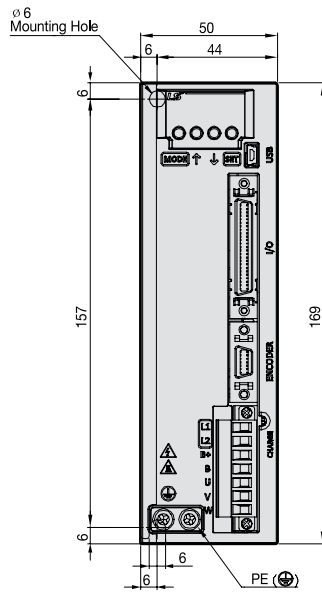
L7C Drive

Item	Type Name	L7CA001U	L7CA002U	L7CA004U	L7CA008U	L7CA010U
Input Power		Single phase AC200 ~ 230[V] [-15~+10%], 50~60[Hz]				
Rated Current[A]		1.4	1.7	3.0	5.2	6.75
Peak Current[A]		4.2	5.1	9.0	15.6	20.3
Encoder Type		Quadrature (Incremental), Biss-B, Biss-C (Absolute, Incremental)				
Control Performance	Speed Control Range	Maximum 1:5000				
	Frequency Response	Maximum 1[KHz] or above (When using 19Bit Serial Encoder)				
	Speed Variation Ratio	±0.01 [%] or lower [when load changes between 0 and 100%] ±0.1[%] or lower [Temperature 25 ±10°C]				
	Accel/Decel Time	Straight or S-curve acceleration/deceleration (0-10,000[ms], possible to be set by one[ms] unit)				
	Input frequency	1[Mpps], line driver / 200[kpps], open collector				
	Input Pulse Type	Symbol + Pulse series, CW+CCW, A/B Phase				
Communication Specifications	Specification	ANSI/TIA/EIA-422 standard specifications				
	Protocol	MODBUS-RTU				
	Synchro Method	Asynchronous				
	Power Consumption	100mA				
	Transmission Speed	9,600 / 19,200 / 38,400 / 57,600bps				
	Distance	Maximum 200[m]				
	Terminating Resistance	Connecting the outside connector (CN1 7Pin, 28Pin connection), Built-in 120Ω				
Digital Input / Output	Digital Input	Input voltage range : DC12V ~ DC24V Total 10 input channels (allocable) Total 34 function's input can be used selectively for assignment. (*SV_ON, *SPD/LVSF1, *SPD2/LVSF2, *SPD3, *A-RST, *JDIR, *POT, *NOT, *EMG, *STOP, START, REGT, HOME, HSTART, ISEL0, ISEL1, ISEL2, ISEL3, ISEL4, ISEL5, PCON, GAIN2, P_CL, N_CL, MODE, PAUSE, ABSRQ, JSTART, PCLR, AOV, INHIBIT, EGEAR1, EGEAR2, ABS_RESET) * Basic allocation signal				
	Digital Output	Service rating : DC24V ±10%, 120mA 5 of 8 input channels are allocable, 3 channels are fixed with AL00, AL01, AL02 Total 19 function's input can be used selectively for assignment. (*ALARM, *READY, *ZSPD, *BRAKE, *INPOS1, ORG, EOS, TGON, TLMT, VLMT, INSPD, WARN, INPOS2, IOUT0, IOUT1, IOUT2, IOUT3, IOUT4, IOUT5) * Basic allocation signal				
Analog Output		2 Channel Analog speed input (Command/Override) ±10V Analog torque input (Command/Limit) ±10V				
USB Communication	Connect	PC				
	Communication Standard	USB 2.0 full speed (Applies standard)				
	Specification	PC, USB 2.0 Full Speed (Applies standard)				
Internal Function	Dynamic Braking	Standard built-in brake (Activated when the servo alarm goes off or when the servo is off),				
	Regenerative Braking	Both default built-in and external installation possible				
	Display Function	7 segments (5DIGIT)				
	Additional Function	Gain tuning, alarm history, JOG operation, origin search				
	Protection Function	Excessive current/voltage/overload/overheating/speed, excessive current limit, low voltage, encoder/position following/current sensing fail				
Operation Environment	Operating Temperature / Storage Temperature	0~50°C / -20 ~ 65°C				
	Operating Humidity / Storage Humidity	Below80[%]RH / Below 90[%]RH(Avoid dew-condensation)				
	Environment	Indoor, avoid corrosive, inflammable gas or liquid, and electrically conductive dust.				

External Dimensions

*Unit [mm]

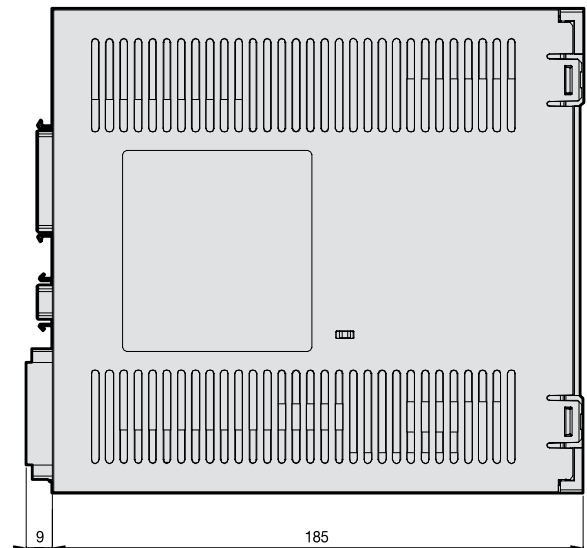
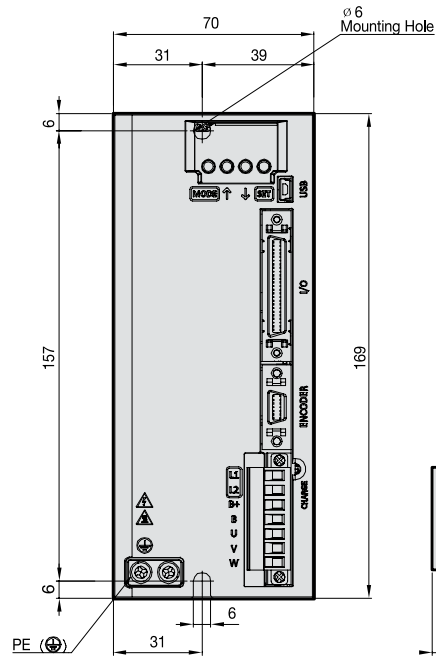
**L7CA001U / L7CA002U /
L7CA004U**
[Weight: 1.0kg]



Servo Drive

*Unit [mm]

L7CA008U / L7CA010U
[Weight: 1.5kg]



L7P Series



Servo Drive Designation

L7	P	A	004	U	AA
	Communication	Input Power Supply	Capacity	Encoder Type	Option
	Standard I/O & Index Type	A : 200VAC B : 400VAC	001 : 100W 002 : 200W 004 : 400W 008 : 750W 010 : 1.0kW 020 : 2.0kW 035 : 3.5kW 050 : 5.0kW 075 : 7.5kW 150 : 15kW	U : Universal	Exclusive Option Code

Indexer Function Type L7P

Providing Program Function Built-in Single Axis Position Determination Module

- Supporting position control mode by pulse input
- Position control mode
- Possible to use without upper controller
- Modbus RTU protocol (RS-422)

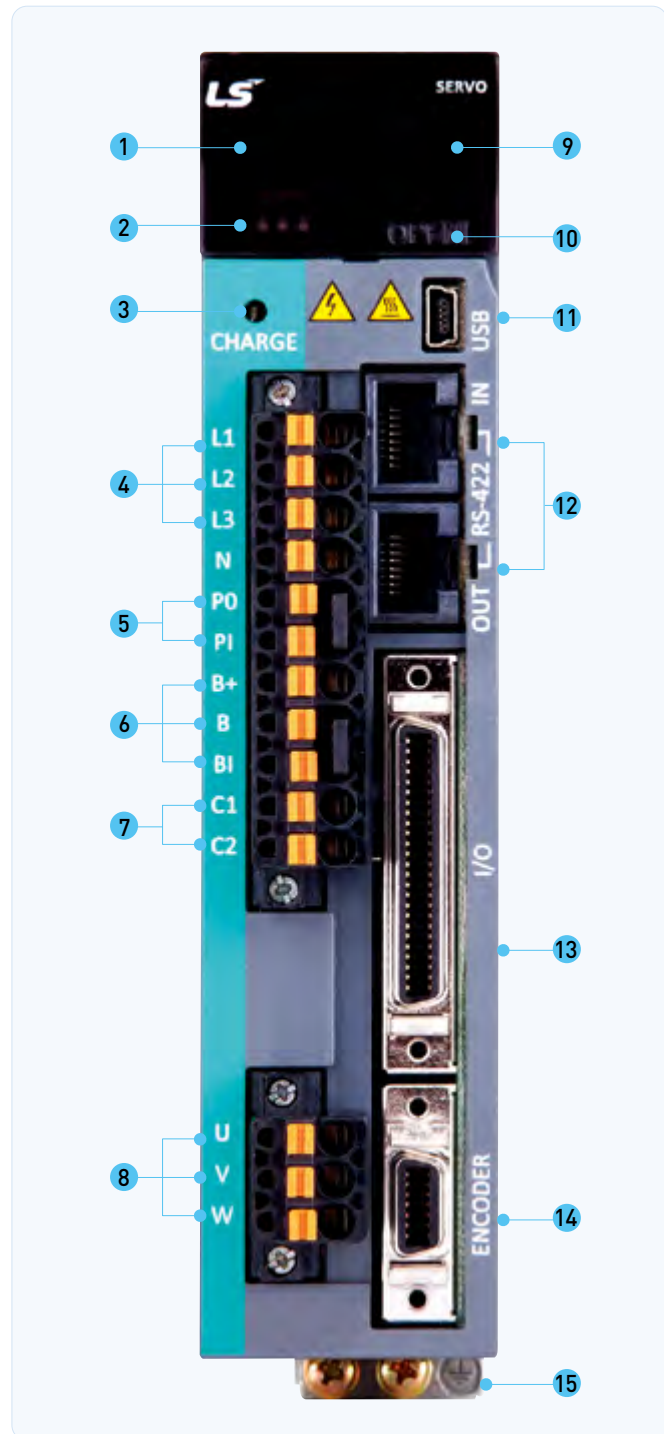
Support Various Motor and Encoder Drive

- Supporting rotary, DD and motor drive (Supporting 3rd party motor)
- Quadrature, BiSS-C

Improved Control Performance

- Improved control bandwidth
- Providing 4-step Notch-filter
- Vibration control by Real-time FET
- Real-time gain tuning function

- 1 Display
- 2 Status LED
- 3 Charge lamp
- 4 Main power connector (L1, L2, L3)
- 5 DC Reactor connector (PO, PI) Short-circuit when not used
- 6 Regenerative resistor connector (B+, B, BI)
 - Short-Circuit B, BI terminals when standard type
 - Use B+, B terminals when using external resistor
- 7 Control power connector (C1, C2)
- 8 Motor power connector (U, V, W)
- 9 Connector for analogue monitor
- 10 Switch for nodaddress setting
- 11 USB connector (USB)
- 12 RS-422 communication connector (CN3, CN4)
- 13 Control signal connector (I/O)
- 14 Encoder connector (ENCODER)
- 15 Ground



L7PA Drive

Item	Type Name	L7PA001U	L7PA002U	L7PA004U	L7PA008U	L7PA010U	L7PA020U	L7PA035U	L7PA050U	L7PA075U	L7PA150U
Input Power	Main Power Supply	3 Phase AC200 ~ 230[V](-15 ~ +10[%]), 50 ~ 60[Hz]									
	Control Power Supply	Single Phase AC200 ~ 230[V](-15 ~ +10[%]), 50 ~ 60[Hz]									
Rated Current[A]		1.4	1.7	3.0	5.2	6.8	13.5	16.7	32.0	39.4	76.0
Peak Current[A]		4.2	5.1	9.0	15.6	20.3	40.5	50.1	90.9	98.5	190.0
Encoder Type		Quadrature(Incremental), BiSS-B, BiSS-C(Absolute, Incremental) Tamagawa Serial(Absolute, Incremental), EnDat 2.2, Sinusoidal, Analog Hall									
Control Performance	Speed Control Range	Maximum 1: 5000									
	Frequency Response	Maximum 1 [kHz] or above (When using 19bit Serial Encoder)									
	Speed Variation Ratio	±0.01 [%] or lower [when load changes between 0 and 100%] ±0.1[%] or lower[Temperature25 ±10°C]									
	Accel/Decel Time	Straight or S-curve acceleration/deceleration [0~10,000[ms], 0~1,000[ms] Unit configurable]									
	Input Frequency	1[Mpps], line drive / 200[kpps], Open collector									
	Input Pulse Type	Symbol + Pulse series, CW+CCW, A/B Phase									
RS422 Communication Specifications	Communication Specifications	ANSI/TIA/EIA-422 Standard specifications									
	Communication Protocol	MODBUS-RTU									
	Connector	RJ45 x 2									
	Synchro Method	Asynchronous									
	Transmission Speed	9600 /19200/38400/57600 [bps], Can be configured at [0x3002]									
	Transmission Distance	Maximum 200 [m]									
	Power Consumption	100[mA]									
	Terminating Resistance	Dip S/W[On/Off], Built-In 120Ω									
Input / Output Signal	Digital Input	Input voltage range: DC 12[V] ~ DC 24[V] Total 16 input channel (Allocatable) 32 function inputs can be selectively allocated (*SV_ON, *POT, *NOT, *A-RST, *START, *STOP, *REGT, *EMG, *HOME, *HSTART, *ISEL0, *ISEL1, *ISEL2, *ISEL3, *ISEL4, *ISEL5, PCON, GAIN2, P_CL, N_CL, MODE, PAUSE, ABSRQ, JSTART, JDIR, PCLR, AOVR, SPD1/LVSF1, SPD2/LVSF2, SPD3, PROBE1, PROBE2)									
	Digital Output	Use rating: DC 24[V] ±10%, 120[mA] Total 8 input channel (Allocatable) 19 function inputs can be selectively allocated (*ALARM±, *READY±, *BRAKE±, *INPOS1±, *ORG±, *EOS±, *TGON±, *TLMT±, VLMT±, INSPD±, ZSPD±, WARN±, INPOS2±, IOUT0±, IOUT1±, IOUT2±, IOUT3±, IOUT4±, IOUT5±)									
Analog Input / Output	Analog Input	Total 2 channels analog speed override input(-10[V] ~ +10[V]) analog torque command input(-10[V] ~ +10[V])									
	Analog Output	Total 2 channels 15 function inputs can be selectively allocated									
USB Communication	Protection	Firmware download, parameter setting, tuning, auxiliary function, parameter copy									
	Communication Specifications	Complies with USB 2.0 Full speed specifications									
	Connection Device	PC or USB storage media									
Built-in Functions	Dynamic Braking	Standard built-in[activated by servo alarm or servo OFF]									
	Regenerative Braking	Default built-in[Excluding 15kW], external installation possible									
	Display	7 Segment[5 DIGIT]									
	Setting Function	Drive node address can be set using rotary switch									
	Additional Function	Gain tuning, alarm history, JOG operation, origin search									
	Protective Function	Excessive current, overload, excessive current limit, overheating, excessive voltage, low voltage, excessive speed, encoder fail, position following fail, current sensing fail									
Operation Environment	Operating Temperature / Storage Temperature	0 ~ +50[°C] / -20~ +70[°C]									
	Operating Humidity / Storage Humidity	Below80[%]RH / Below 90[%]RH(Avoid dew-condensation)									
	Environment	Indoor, Avoid corrosive, inflammable gas or liquid, and electrically conductive dust.									

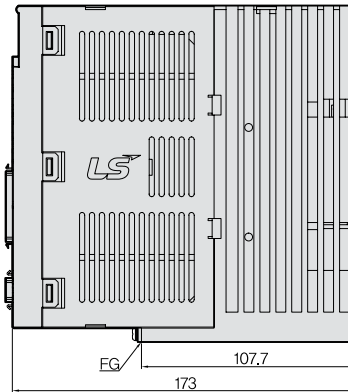
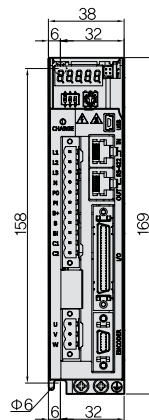
L7PB Drive

Item	Type Name	L7PB010U	L7PB020U	L7PB035U	L7PB050U	L7PB075U	L7PB150U
Input Power	Main Power Supply	3 Phase AC200 ~ 230[V](-15 ~ +10[%]), 50 ~ 60[Hz]					
	Control Power Supply	Single Phase AC200 ~ 230[V](-15 ~ +10[%]), 50 ~ 60[Hz]					
Rated Current[A]		3.7	8.0	10.1	17.5	22.8	39.0
Peak Current[A]		11.1	24.0	30.3	47.3	57.0	97.5
Encoder Type		Quadrature(Incremental), BiSS-B, BiSS-C(Absolute, Incremental) Tamagawa Serial(Absolute, Incremental), EnDat 2.2, Sinusoidal, Analog Hall					
Control Performance	Speed Control Range	Maximum 1: 5000					
	Frequency Response	Maximum 1 [kHz] or above (When using 19bit Serial Encoder)					
	Speed Variation Ratio	±0.01 [%] or lower [when load changes between 0 and 100%] ±0.1[%] or lower [temperature 25 ±10°C]					
	Accel/Decel Time	Straight or S-curve acceleration/deceleration [0~10,000[ms], 0~1,000[ms] Unit configurable]					
	Input Frequency	1[Mpps], line drive / 200[kpps], Open collector					
	Input Pulse Type	Symbol + Pulse Series, CW+CCW, A/B Phase					
RS422 Communication Specifications	Communication Specifications	ANSI/TIA/EIA-422 Standard specifications					
	Communication Protocol	MODBUS-RTU					
	Connector	RJ45 x 2					
	Synchro Method	Asynchronous					
	Transmission Speed	9600 / 19200 / 38400 / 57600 [bps], Can be configured at [0x3002]					
	Transmission Distance	Maximum 200 [m]					
	Power Consumption	100[mA]					
	Terminating Resistance	Dip S/W(On/Off), Built-In 120Ω					
Input / Output Signal	Digital Input	Input voltage range: DC 12[V] ~ DC 24[V] Total 16 input channel (Allocatable) 32 function inputs can be selectively allocated (*SV_ON, *POT, *NOT, *A-RST, *START, *STOP, *REGT, *EMG, *HOME, *HSTART, *ISEL0, *ISEL1, *ISEL2, *ISEL3, *ISEL4, *ISEL5, PCON, GAIN2, P_CL, N_CL, PAUSE, ABSRQ, JSTART, JDIR, PCLR, SPD1/LVSF1, SPD2/LVSF2, SPD3, AOVR, MODE,)					
	Digital Output	Use rating: DC 24[V] ±10%, 120[mA] Total 8 input channel (Allocatable) 19 function inputs can be selectively allocated (*ALARM±, *READY±, *BRAKE±, *INPOS1±, *ORG±, *EOS±, *TGON±, *TLMT±, VLMT±, INSPD±, ZSPD±, WARN±, INPOS2±, IOU0±, IOU1±, IOU2± IOU3±, IOU4±, IOU5±)					
Analog Input / output	Analog Input	Total 2 channels analog speed override input(-10[V] ~ +10[V]) analog torque command input(-10[V] ~ +10[V])					
	Analog Output	Total 2 channels 15 function inputs can be selectively allocated					
USB Communication	Protection	Firmware download, parameter setting, tuning, auxiliary function, parameter copy					
	Communication Specifications	Complies with USB 2.0 Full speed specifications					
	Connection Device	PC or USB storage media					
Built-in Functions	Dynamic Braking	Standard built-in(Activated by servo alarm or servo OFF)					
	Regenerative Braking	Default built-in(Excluding 15kW), external installation possible					
	Display	7 Segment(5 DIGIT)					
	Setting Function	Drive node address can be set using rotary switch					
	Additional Function	Gain tuning, alarm history, JOG operation, origin search					
Protective Function	Excessive current, overload, excessive current limit, overheating, excessive voltage, low voltage, excessive speed, encoder fail, position following fail, current sensing fail						
Operation Environment	Operating Temperature / Storage Temperature	0 ~ +50[°C] / -20 ~ +70[°C]					
	Operating Humidity / Storage Humidity	Below 80[%]RH / Below 90[%]RH(Avoid dew-condensation)					
	Environment	Indoor, Avoid corrosive, inflammable gas or liquid, and electrically conductive dust.					

*Unit [mm]

L7PA001U ~ L7PA004U

[Weight: 1.0kg]

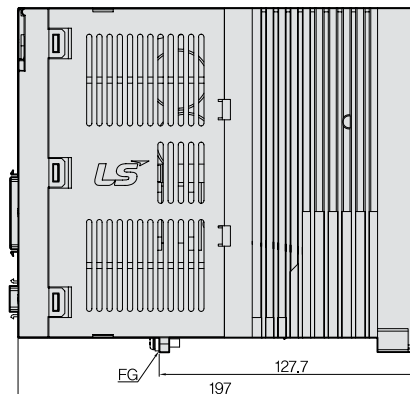
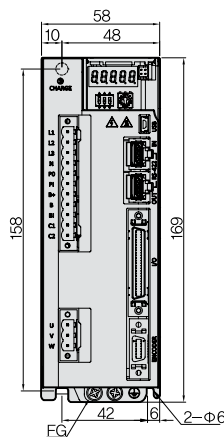


*Unit [mm]

L7PA008U / L7PA010U

[Weight: 1.5kg]

[Fan-Cooling included]

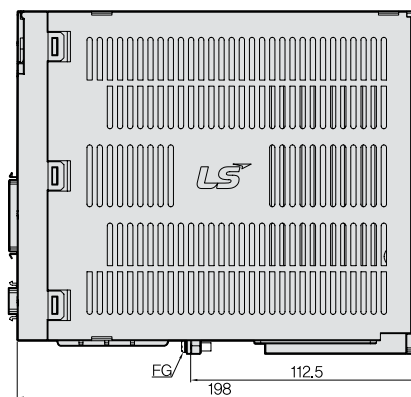
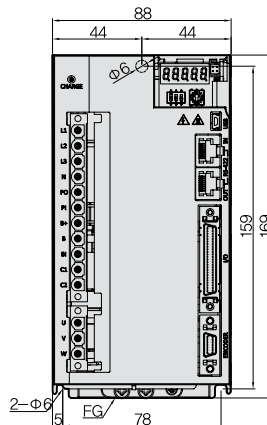


*Unit [mm]

L7PA020U / L7PA035U

[Weight: 2.5kg]

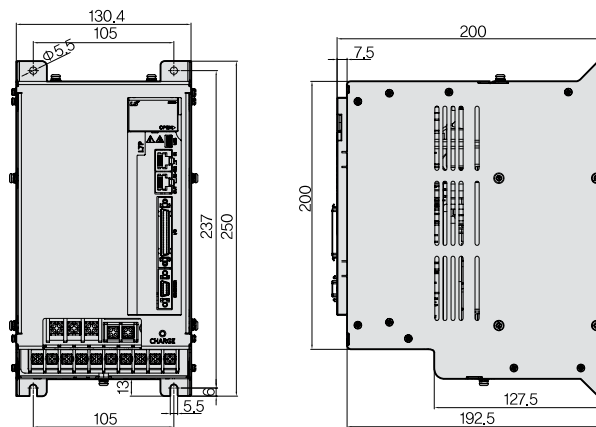
[Fan-Cooling included]



*Unit [mm]

L7PA050U

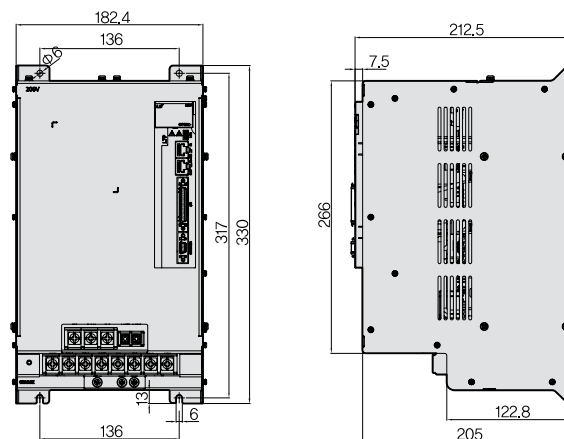
[Weight: 5.5kg
[Fan-Cooling included]]



*Unit [mm]

L7PA075U

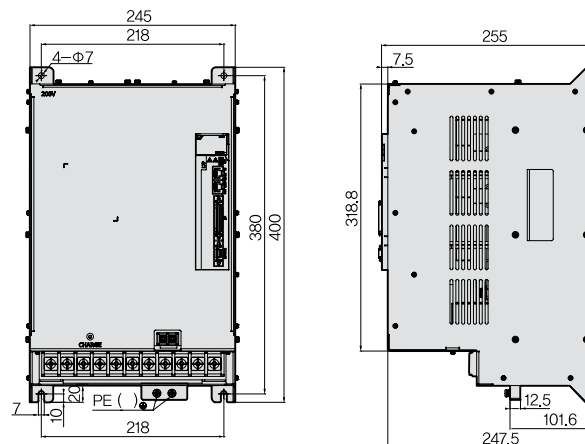
[Weight: 8.5kg
[Fan-Cooling included]]



*Unit [mm]

L7PA150U

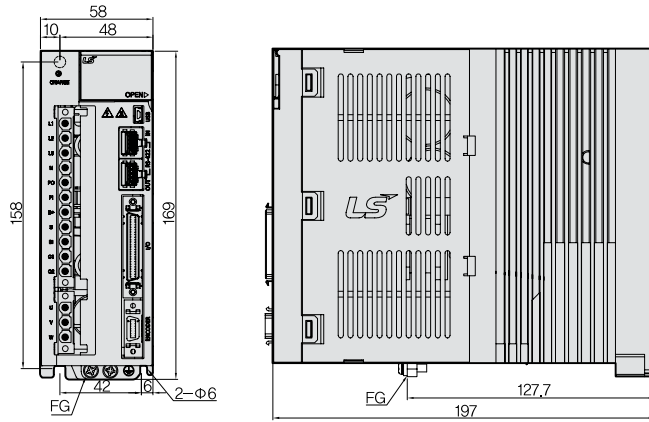
[Weight: 16.2kg
[Fan-Cooling included]]



*Unit [mm]

L7PB010U

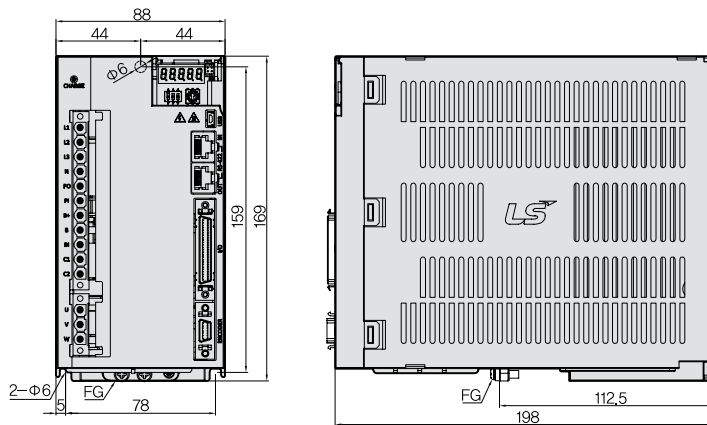
[Weight: 1.5kg
(Fan-Cooling included)]



*Unit [mm]

L7PB020U / L7PB035U

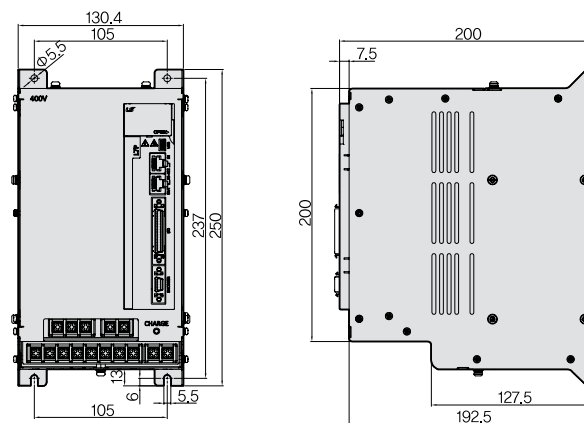
[Weight: 2.5kg
(Fan-Cooling included)]



*Unit [mm]

L7PB050U

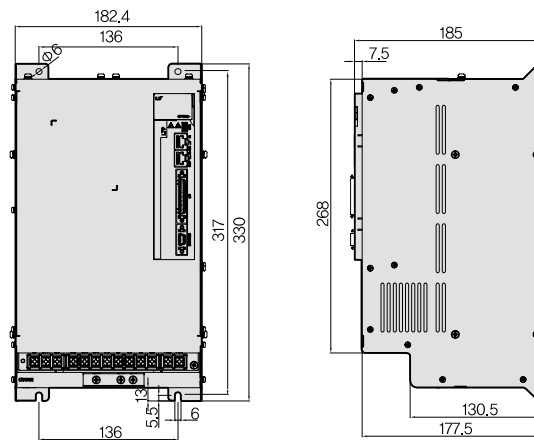
[Weight: 5.5kg
(Fan-Cooling included)]



*Unit [mm]

L7PB075U

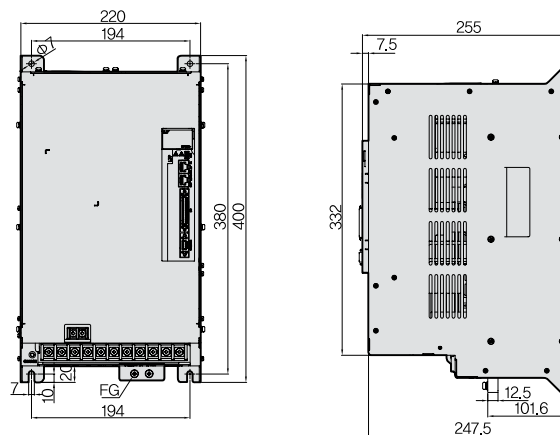
[Weight: 8.5kg
[Fan-Cooling included]]



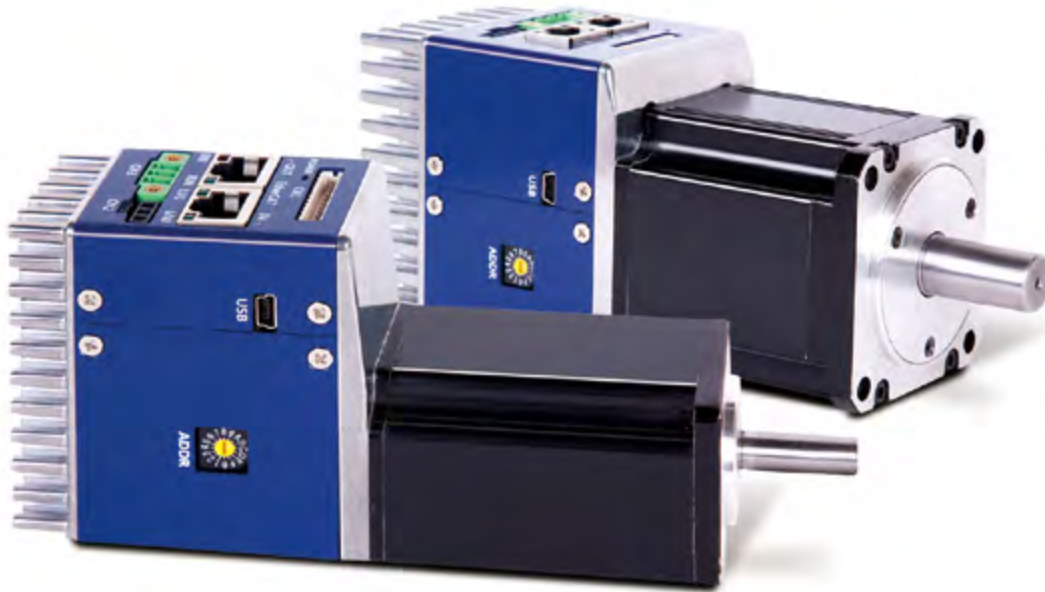
*Unit [mm]

L7PB150U

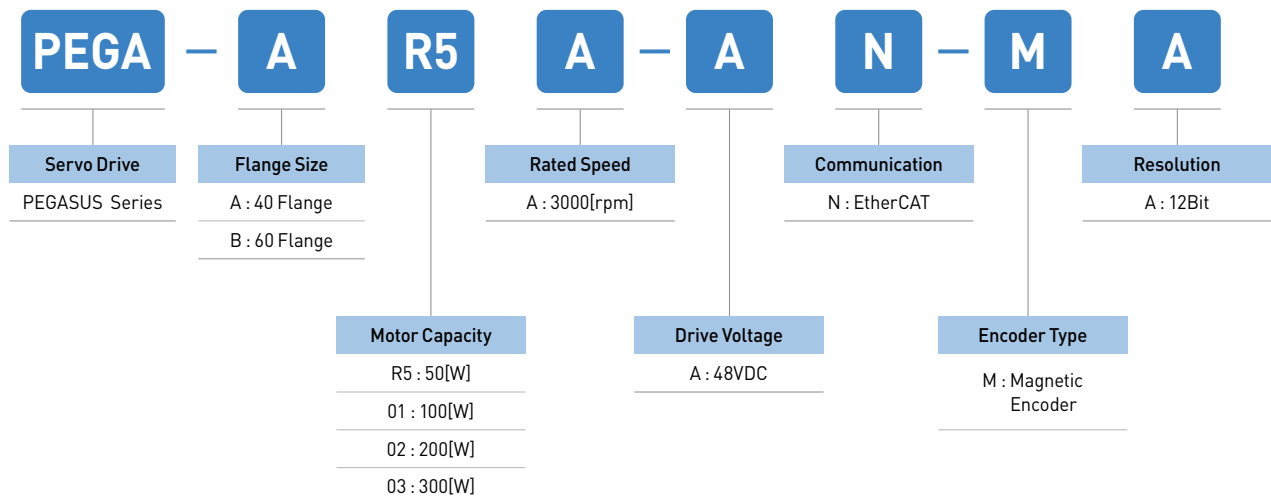
[Weight: 15.5kg
[Fan-Cooling included]]



PEGA Series



Servo Drive Designation



Integrated Servo System Type **PEGA**

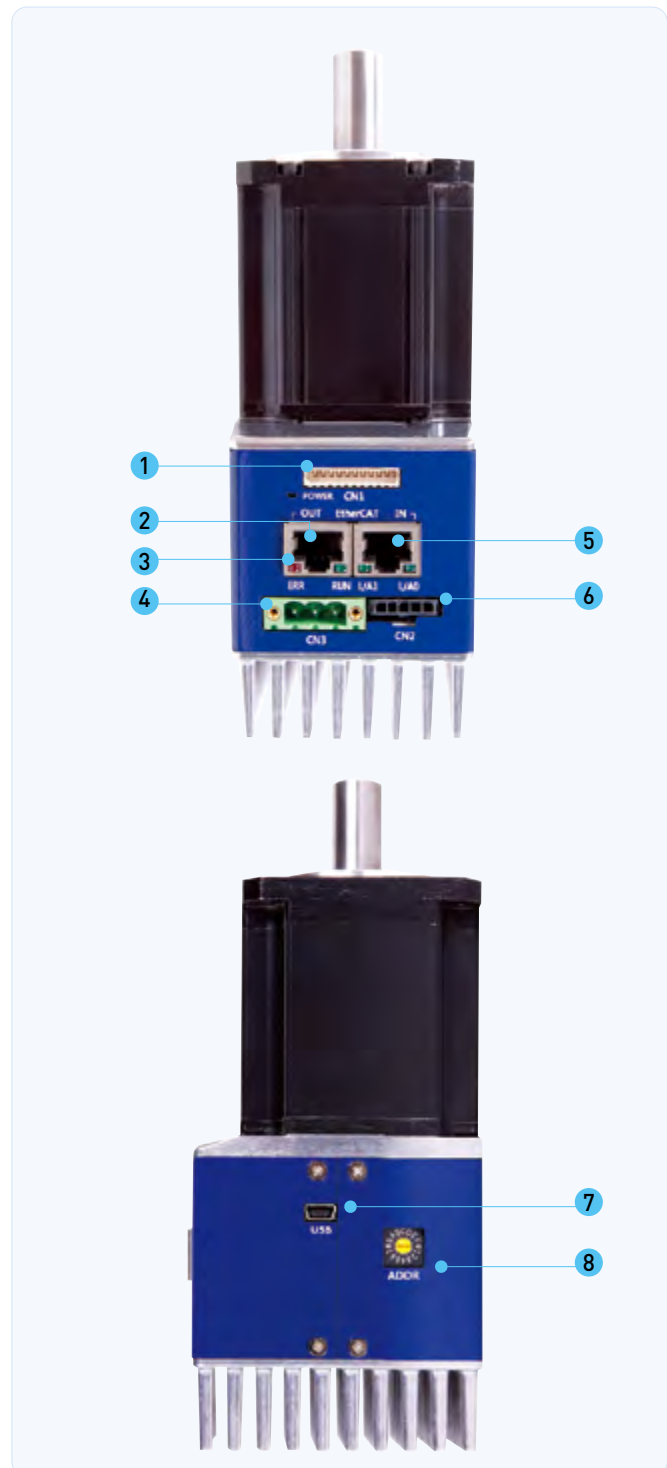
Enhanced Efficiency Integrated Servo System

- Cost effective from installation by integrated system of motor, encoder cable and drive
- Maximization for useful space when installed at limited and small space
- High effectiveness for application of multi axis because there is no limitation for space of installation

Real-time Control Through EtherCAT

- High speed, Real-time capability and synchronization mechanism
- Improved EtherCAT communication speed
- Supporting CoE, EoE and FoE

- 1 Input / Output signal connector (CN1)
 - This connector is for sequence input / Output signals
- 2 EtherCAT Communication output port (OUT)
- 3 Status LED
- 4 Power connector (CN3)
- 5 EtherCAT Communication input port (IN)
- 6 Safety connector (CN2)
 - This connector connects safety devices
- 7 USB Connector (CN5, Mini B type)
 - This connector is to communicate with a PC
- 8 Node address setting switch
 - This switch is to set the node address of the drive
 - You can set the node addresses from 0 to 15



Rated Values of Servo Drive

Rated	□40 50W (AR5A)	□40 100W (A01A)	□60 100W (B01A)	□60 200W (B02A)	□60 300W (B03A)
Continuous Output Current [Arms]	1.8	2.4	3.6	5.0	6.8
Maximum Output Current [Arms]	3.5	3.8	7.2	10.0	13.6
Input Voltage	DC 48V ~ DC 60V				

Basic Specifications

Category	Details		
Use Conditions	Control Method	PWM controlled sine wave current driving method	
	Operating Temperature/Storage Temperature	0~+40[°C] / -20~ +60[°C]	
	Operating Humidity/Storage Humidity	Below 80% RH / Below 90% RH (no freeze or condensation)	
	Vibration-/Impact-resistance	TBD	
	Degree of Protection/Degree of Pollution	TBD	
	Altitude	1000m or lower	
Performance	Other	To be free from electrostatic noise, strong electrolysis, or radiation.	
	Speed Variation	Load Variation	At 0 to 100% load: ± 3% [at rated speed]
		Voltage Variation	Rated voltage ±10%: 0% [at rated speed]
Temperature Variation		25°C: ±0.1% or less [at rated speed]	
Input/Output Signal	Input Signal	Input voltage range: DC 12V - DC 30V The 4-channel input signal can be assigned to 12 functions: POT, NOT, HOME, STOP, PCON, GAIN2, PCL, NCL, PROBE1, PROB2, EMG, and ARST.	
	Output Signal	Rated voltage and current: DC 24V ±10%, 120[mA] The 2-channel output signal can be assigned to 11 functions: BRAKE, ALARM, RDY, ZSPD, INPOS1, TLMT, VLMT, INSPD, WARN, TGON, and INPOS2.	
Analog Monitor	Number of channels: 1, Output voltage range: ±4V, Angular resolution: 12 bits, Stabilization time: 15 us		
USB Communication	Connecting Device	PC or USB storage medium	
	Communication Standard	Conform to the USB 2.0 Full Speed Standard.	
	Function	Firmware download, parameter setting, adjustment, auxiliary functions, and parameter copy function.	
Dynamic Brake (Three-phase Short-circuit)	Activates when servo alarm, servo OFF, or Emergency stop (POT, NOT and EMG) is input.		
Protection Functions	Overcurrent, overload, current limit, overheat, overvoltage, undervoltage, overspeed, encoder error, position follow error, ect.		
Auxiliary Functions	Gain adjustment, alarm history, JOG drive, programmed JOG drive, etc.		
Safety Functions	Input	STO1, STO2	
	Compatible Standard	TBD	

EtherCAT Communication Specification

Category	Details	
Communication Standard	FoE	Firmware download
	EoE	Parameter setting, adjustment, auxiliary functions, and parameter copy through UDP.
	CoE	IEC 61158 Type12, IEC 61800-7 CiA 402 drive profile
Physical Layer	100BASE-TX(IEEE802.3)	
Connector	RJ45 x 2	
Distance	Within 100 m between nodes	
DC (Distributed Clock)	Sync by DC mode	
LED Display	• L/A0(Link/Act IN) • L/A1(Link/Act OUT) • RUN • ERR	
Cia402 Drive Profile	Supports CSP, CSV, CST, PP, PV, PT, and HM Modes.	

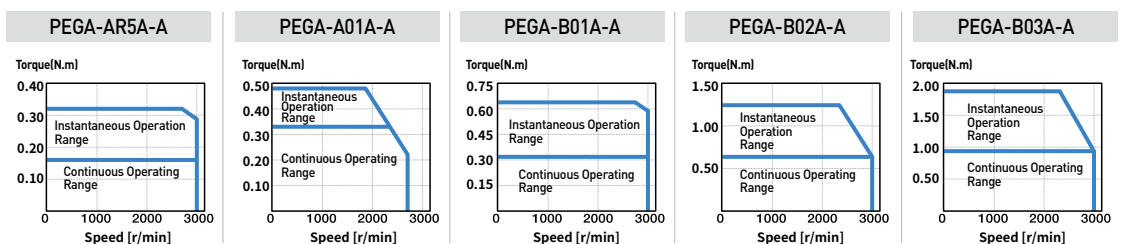
Encoder Specification

Category	Details
Encoder Type	Magnetic Encoder [12bit][Singleturn Absolute]

Motor Specification

Model	□40 50W (AR5A)	□40 100W (A01A)	□60 100W (B01A)	□60 200W (B02A)	□60 300W (B03A)	
Rated Torque	[N·m]	0.16	0.32	0.32	0.64	1.27
	[kgf·cm]	1.62	3.25	3.25	6.50	9.74
Max. Torque	[N·m]	0.32	0.48	0.64	1.27	1.91
	[kgf·cm]	3.24	4.88	6.50	13.0	19.48
Rated Speed	[r/min]	3000	2400	3000	3000	3000
Max Speed	[r/min]	3000	3000	3000	3000	3000
Inertia	[kg·m ² ×10 ⁻⁴]	0.0240	0.0450	0.1140	0.1820	0.3210
	[gf·cm·s ²]	0.0245	0.0459	0.1163	0.1857	0.3276

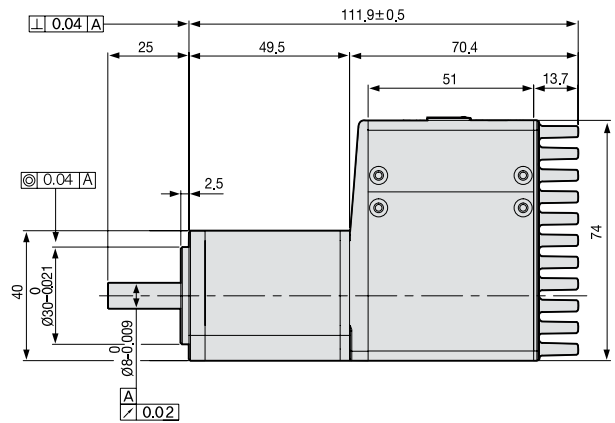
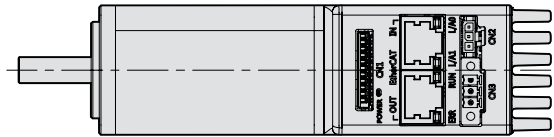
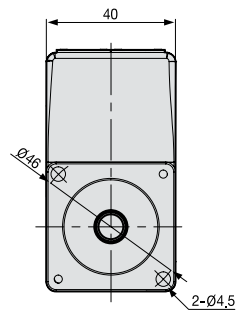
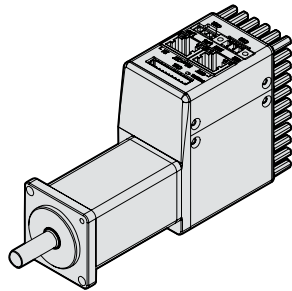
Speed-Torque Characteristics



External Dimensions

*Unit [mm]

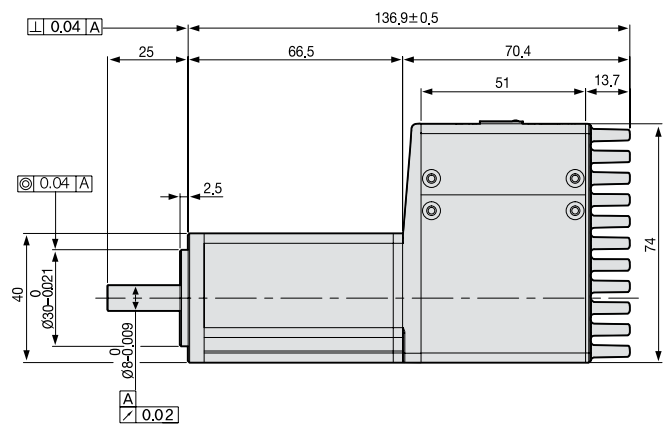
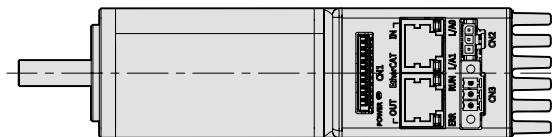
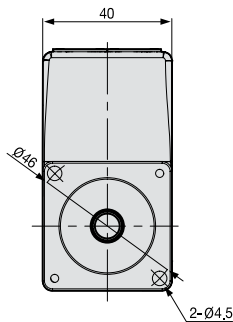
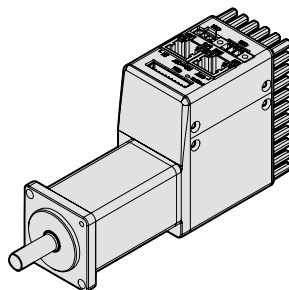
PEGA-AR5A
[Weight: 0.51kg]



Servo Drive

*Unit [mm]

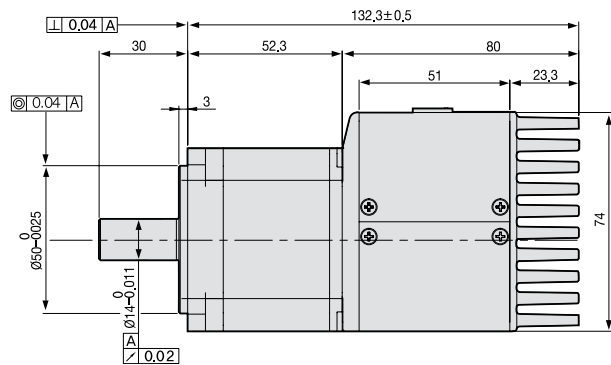
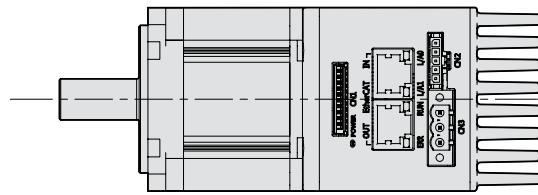
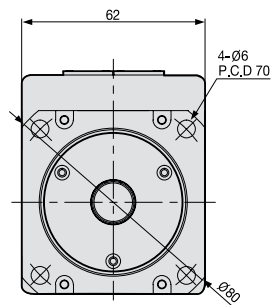
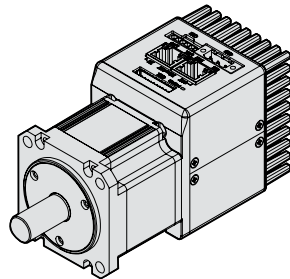
PEGA-A01A
[Weight: 0.63kg]



*Unit [mm]

PEGA-B01A

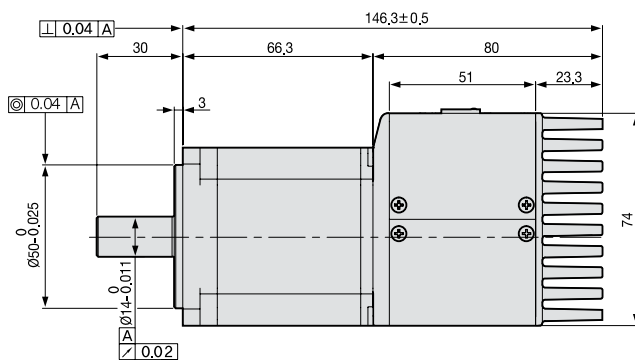
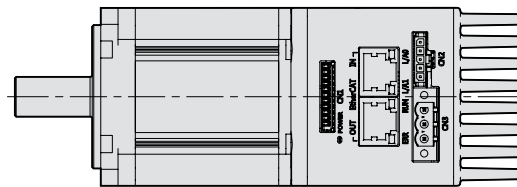
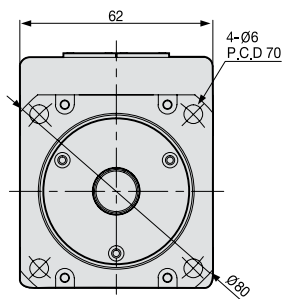
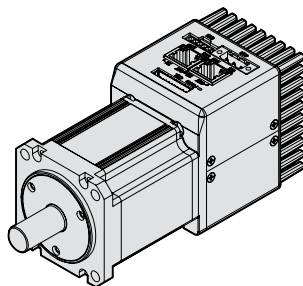
[Weight: 1.07kg]



*Unit [mm]

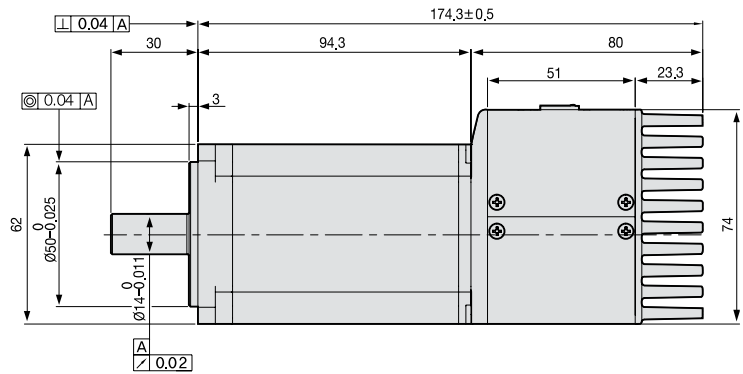
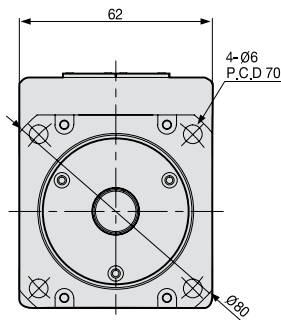
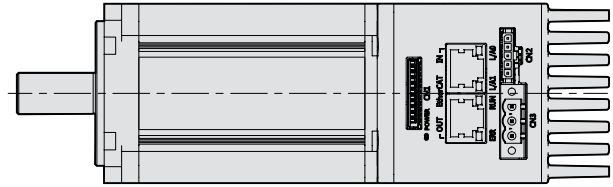
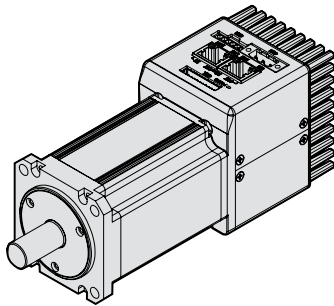
PEGA-B02A

[Weight: 1.30kg]



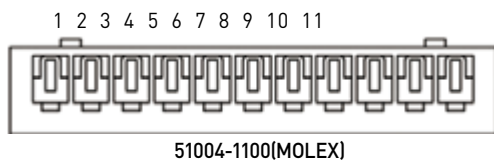
*Unit [mm]

PEGA-B03A
[Weight: 1.79kg]



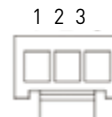
Accessory Kit

CN1 : I/O Connector



Pin Number	Direction	Name	Signals	Descriptions
1	VCC	+24	+24V INPUT	+24V Vcc Input
2	Input	POT	Positive Over-Travel	Limit Sensor Input
3	Input	NOT	Negative Over Travel	
4	Input	HOME	Home Sensor	Home Sensor Input for Homing
5	Input	STOP	Stop Input	Stop Command Input
6	Output	BRAKE+	BRAKE	Output Brake Control Signal
7	Output	BRAKE-		
8	Output	ALARM+	Alarm Output	Servo Alarm Output
9	Output	ALARM-		
10	Output	MONITOR1	Analog Monitor	Analog Monitor Output(0V-5V)
11	GND	AGND	AGND(0V)	Analog Signal Ground

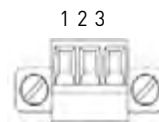
CN2 : Safe Torque Off Connector



43645-3(MOLEX)

Pin Number	Name	Descriptions
1	HWBB1	Safe Torque Off(STO) input signals
2	HWBB2	
3	COMMON	DC 24V GND

CN3 : Power Connector



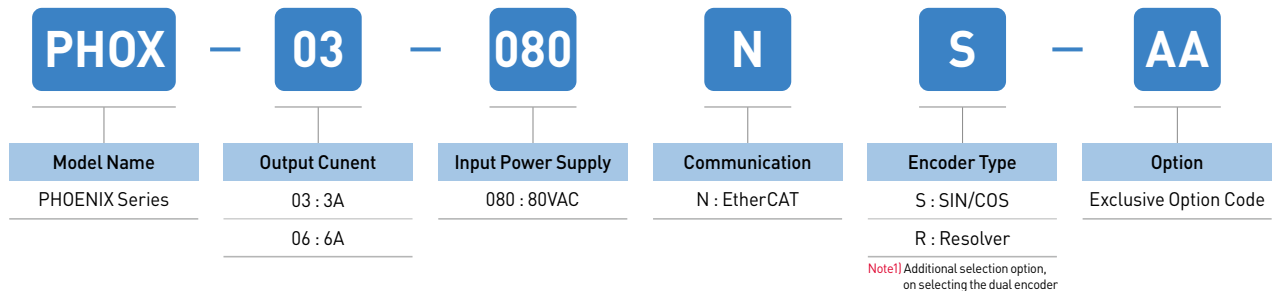
MC_1.5-3-STF-3.5
(PHOENIX CONTACT)

Pin Number	Name	Descriptions
1	FG	Frame Ground
2	N(DC 0V)	DC 0V GND
3	VCC(DC 48V)	DC 48V input

PHOX Series



Servo Drive Designation



Low Voltage DC Drive **PHOX**

Real-time Control Through EtherCAT

- High speed, Real-time capability and synchronization mechanism
- Supports CoE, EoE and FoE
- Improved speed response($\approx 1\text{kHz}$) frequency
- Improved communication speed by applying 16bit-bus
 - Improved chip communication speed
 - Improved EtherCAT communication speed

Variable Switching Frequency

- 16/32/48kHz

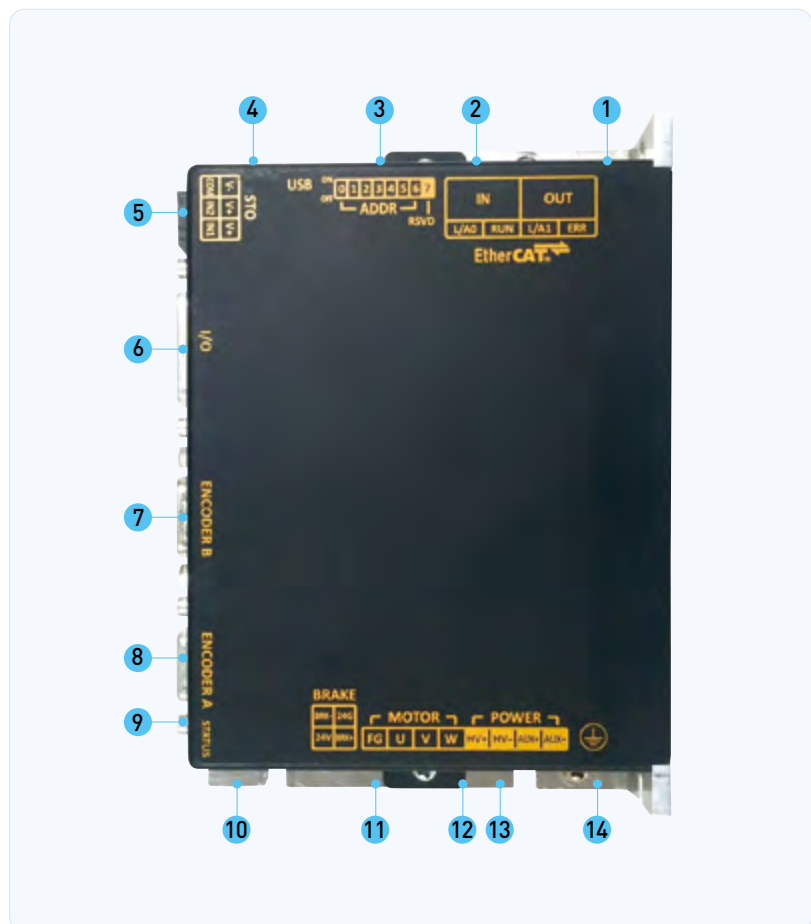
Fully-closed Loop Control

- Switch among Semi-closed loop control, Fully-closed loop control and dual feedback control
- Fully-closed loop control provides quick response with internal and external encoder position values
- Fully-closed loop control ensures high-precision control during machine operation

Programming Function Including Single-axis Position Module

- Positioning control mode with pulse inputs
- Provides position control through I/O or HMI without the position control module
- Supports the indexing mode

- 1 EtherCAT Out
- 2 EtherCAT In
- 3 Switch for node address setting
- 4 Mini B USB
- 5 STO Connector
- 6 IO Connector
- 7 Encoder B connector
- 8 Encoder A connector
- 9 Status LED
- 10 Brake connector
- 11 DCReactor connector(PO,PI)
- 12 Master power connector(HV+,HV-)
- 13 Auxiliary power connector(AUX+,AUX-)
- 14 Ground



PHOX Series

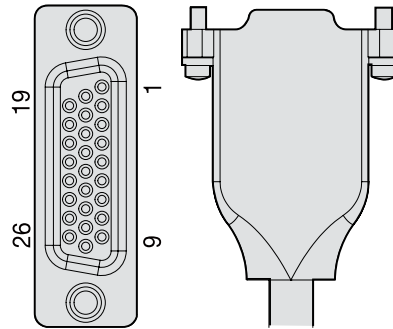
Item		Type Name	PHOX-03	PHOX-06
Input Power	Main Power Supply		DC 24~80[V] ^{Note1)}	
	Control Power Supply		DC 24~80[V] ^{Note1)}	
Rated Current[A]			3	6
Peak Current[A]			9[A] → 1[sec]	18[A] → 1[sec]
1st Encoder Encoder A			*Quadrature(Max. 10Mpps after X 4) - With and without halls, Differential *Serial Encoder(absolute, incremental) - BiSS(B,C), Endat2.2, Tamagawa Serial, SSI	
2nd Encoder Encoder B ^{Note2)}			*Quadrature(Max. 10Mpps after X 4) - Without halls, Differential *Serial Encoder(absolute, incremental) - BiSS(B,C), Endat2.2, Tamagawa Serial, SSI *Analog Encoder - Sinusoidal(1Vpp), Analog hall(Sin/Cos) - Resolver(Optional)	
Control Performance	Speed Control Range		Maximum 1: 5000	
	Frequency Response		Maximum 1 [kHz] or above (When using 19bit Serial Encoder)	
	Speed Variation Ratio		±0.01 [%] or lower [when load changes between 0 and 100%] ±0.1[%] or lower [temperature 25 ±10°C]	
	Torque Control Repetition Accuracy		Within ±1%	
	Input Frequency		4[Mpps], Lind Drive	
	Input Pulse Method		Symbol+Pulse series, CW+CCW, PhaseA/B	
EtherCAT Communication Specifications	Communication Standard		FoE (Firmware download) EoE (Parameter setting by UDP, Tuning, Secondary function, Parameter copy) CoE (IEC 61158 Type12, IEC 61800-7 CIA 402 Drive profile)	
	Physical Layer		100BASE-TX(IEEE802.3)	
	Connector		RJ45 x 2	
	Communication distance		Within connection between nodes 100[m]	
	DC(Distributed Clock)		By DC mode synchronism. minimum DC cycle: 250[us]	
	LED Display		LinkAct IN, LinkAct OUT, RUN, ERR	
	Cia402 Drive Profile		Profile Position Mode, Profile Velocity Mode, Profile Torque Mode, Cyclic Synchronous Position Mode Cyclic Synchronous Velocity Mode, Cyclic Synchronous Torque Mode, Homing Mode	
Digital Input / Output	Digital Input		Total 4 input channels(Allocable) Total 33 functions can be used selectively for assignment (*POT, *NOT, *HOME, *STOP, PCON, GAIN2, P_CL, N_CL, PROBE1P, ROBE2, EMG, A_RST, SV_ON, START, PAUSE, REGT, HSTART, ISEL0-5, ABS_RQ, JSTART, JDIR, PCLR, AOVR, INHIB, SPD1, SPD2, SPD3, MODE)	
	Digital Output		Total 4 input channels(Allocable) Total 33 functions can be used selectively for assignment (*BRAKE, *ALARM, *READY, *ZSPD, INPOS1, INPOS2, TLMT, VLMT, INSPD, WARN, TGON, ORG, EOS, IOUT0, IOUT1, IOUT2, IOUT3, IOUT4, IOUT5)	
Analog Input / Output	Analog Input		Input voltage range differential ±10[V](16bit resolution) Setting torque limit value with 1 channel analog voltage	
	Analog Output		Total 2 channels(allocable) Total 15 outputs can be used selectively for assignment	
Safety Function			2 input channels(STO1, STO2)	
Encoder Output Type			A0(+/-), B0(+/-), Z0(+/-) (Line drive output max. 6.4Mpps)	
USB Communication	Function		Firmware download, parameter setting, tuning, auxiliary function, parameter copy	
	Communication Standard		Complies with USB 2.0 Full speed specifications	
	Connect		PC or USB storage media	
Internal Function	Self-setting Function		Drive node address can be set using dip switch	
	Additional Function		Gain tuning, alarm history, JOG operation, origin search	
	Analog Output		Excessive current/voltage/overload/overheating/speed, excessive current limit, low voltage, encoder/position following/current sensing fail	
Operation Environment	Operating Temperature / Storage Temperature		0 ~ 50[°C] / -20 ~ 65 °C	
	Operating Humidity / Storage Humidity		Below 80[%]RH / Below 90[%]RH(Avoid dew-condensation)	
	Environment		Indoor, Avoid corrosive, inflammable gas or liquid, and electrically conductive dust.	

Note1) It is possible to drive with a voltage of less than 48[V] of DC input power. However, the actual speed may be slower than the command speed and the specifications of the low voltage motor [based on DC 48[V]] cannot be guaranteed. We recommend using DC 48[V] as the input power if possible.

Note2) Available when full-closed function is applied

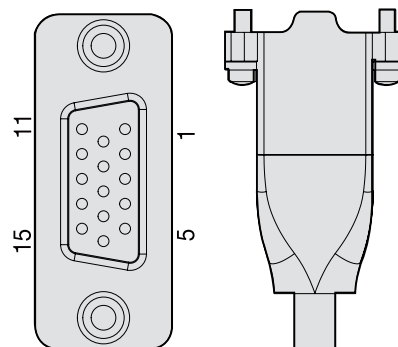
**PH0X Series I/O
and Encoder
PIN Map**

**I/O Connector
10090769-P264ALF**



PIN No.	Signal	PIN No.	Signal	PIN No.	Signal	PIN No.	Signal
1	PF+	8	AMON1	15	D01	22	/B0
2	PF-	9	AMON2	16	D02	23	Z0
3	PR+	10	DICOM	17	D03	24	/Z0
4	PR-	11	DI1	18	18 D04	25	DOCOM
5	AGND	12	DI2	19	A0	26	AGND
6	AI+	13	DI3	20	/A0		
7	AI+	14	DI4	21	B0		

**Encoder A Connector
10090769-P154ALF**

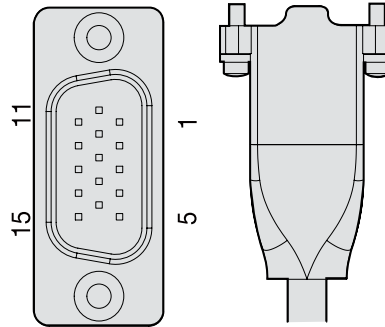


PIN No.	Encoder Quad	BISS	SSI	ENDAT	TAMAGAWA
1	Z+	-	-	-	-
2	Z-	-	-	-	-
3	GND	GND	GND	GND	GND
4	-	-	-	-	-
5	5V	5V	5V	5V	5V
6	GND	GND	GND	GND	GND
7	A-	SL-	DATA-	RC-/DV-	TXD-/RXD-
8	A+	SL+	DATA+	RC+/DV+	TXD-/RXD+
9	HALL U	-	-	-	-
10	*MOT	*MOT	*MOT	*MOT	*MOT
11	B-	MA-	CLK-	CLK-	-
12	B+	MA+	CLK+	CLK+	-
13	HALL V	-	-	-	-
14	HALL W	-	-	-	-
15	-	-	-	-	-

PHOX Series I/O and Encoder PIN Map

Encoder B Connector (Full Closed)

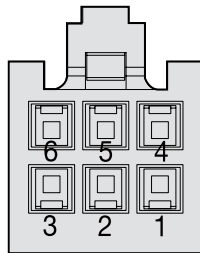
10090770-S154ALF



PIN No.	Encoder Quad	BISS	SSI	ENDAT	TAMAGAWA	SIN/COS	RESOLVER
1	Z+	-	-	-	-	-	-
2	Z-	-	-	-	-	-	-
3	GND	GND	GND	GND	GND	GND	GND
4	-	-	-	-	-	SIN+	SIN+
5	5V	5V	5V	5V	5V	5V	5V
6	-	-	-	-	-	REF-	EXT-
7	A-	SL-	DATA-	RC-/DV-	TXD-/RXD-	-	-
8	A+	SL+	DATA+	RC+/DV+	TXD-/RXD+	-	-
9	-	-	-	-	-	SIN-	SIN-
10	*MOT	*MOT	*MOT	*MOT	*MOT	*MOT	*MOT
11	B-	MA-	CLK-	CLK-	-	-	-
12	B+	MA+	CLK+	CLK+	-	-	-
13	-	-	-	-	-	REF+	EXT+
14	-	-	-	-	-	COS-	COS-
15	-	-	-	-	-	COS+	COS+

STO Connector

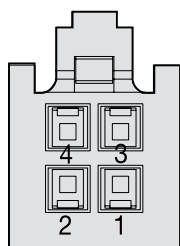
IPD1-03-D-K



PIN No.	Signal	Description
1	COM	Common[24 GND]
2	STO2	Current(Torque) supplied to the motor is cut off during the signal off
3	STO1	Current(Torque) supplied to the motor is cut off during the signal off
4	V-	DC -12V(Bypass bypass)
5	V+	DC -12V(Bypass bypass)
6	V+	DC -12V(Bypass bypass)

BRAKE Connector

IPD1-02-D-K

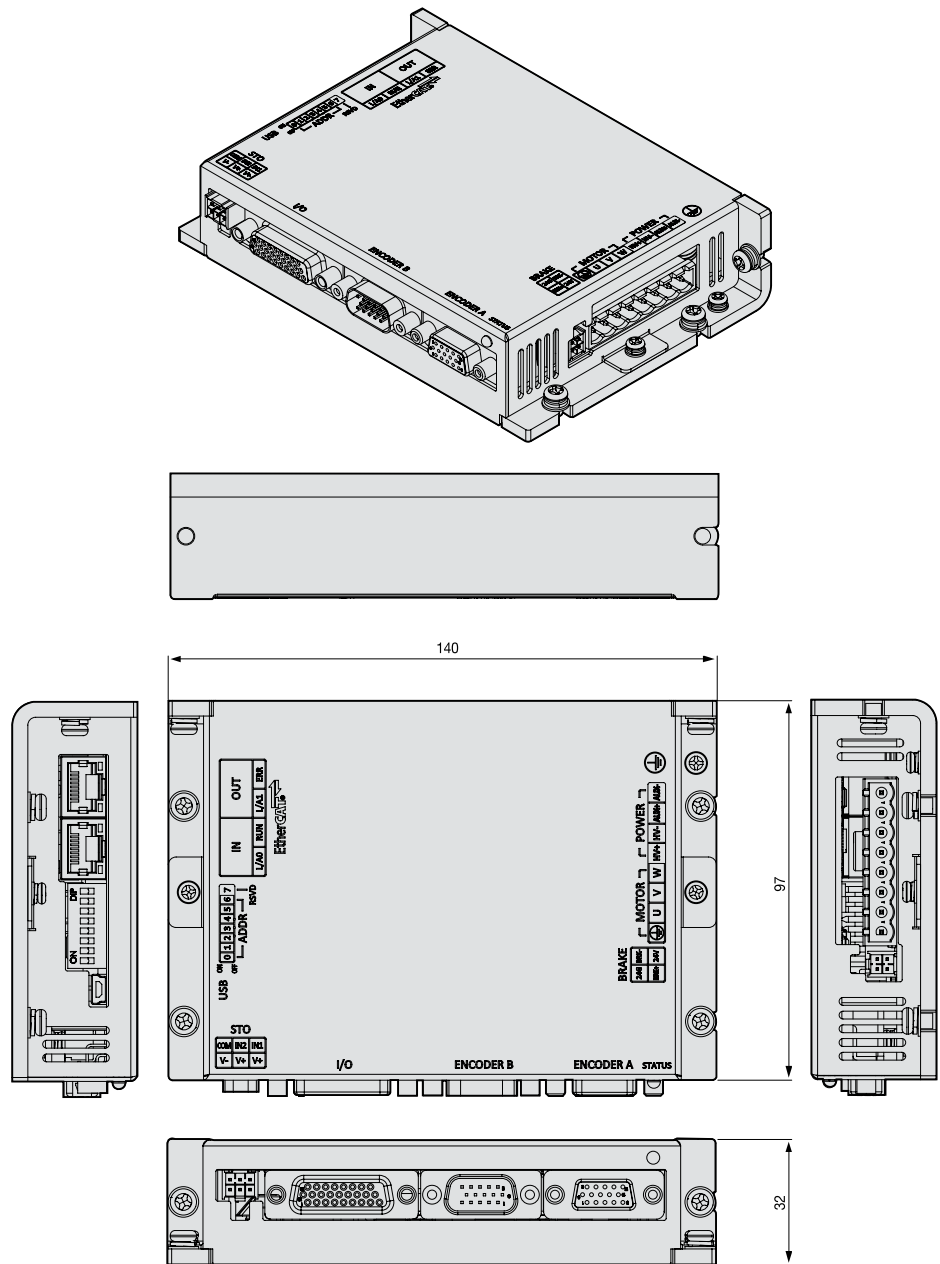


PIN No.	Signal	Description
1	24V	Brake 24V Input
2	BRK+	Brake 24V Output
3	BRK-	Brake (1A)
4	24G	24V Return

External Dimensions

*Unit [mm]

PHOX-03 / PHOX-06
[Weight: 0.43kg]







Servo Motor

Contents

F Series	
Flat Type Rotating Servo Motor	74
F series with Magnetic Absolute Serial Encoder	
Flat Type Rotating Servo Motor	90
MDM Series	
Direct-Drive Motor	96

Servo Drive Designation



APM(C) – F BL P 04 A M K 1

Model Name
 APM : Servo motor
 (Made in Korea)
 APMC : Servo motor
 (Made in China)

Model Shaft
 F : Flat shaft

Flange Size
 AL : 40 Flange
 BL : 60 Flange
 CL : 80 Flange
 E : 130 Flange
 F : 180 Flange
 G : 220 Flange

Input Power Supply
 None: 200VAC
 P : 400VAC

Motor Capacity
 R5 : 50[W]
 01 : 100[W]
 015 : 150[W]
 02 : 200[W]
 03 : 300[W]
 04 : 400[W]
 07 : 650[W]
 08 : 750[W]
 10 : 1.0[kW]
 20 : 2.0[kW]
 35 : 3.5[kW]
 50 : 5.0[kW]
 75 : 7.5[kW]
 110 : 11[kW]
 150 : 15[kW]

Encoder Type
 M : 19bit S-tum abs
 (16bit M-turn abs)
 M8 : 18bit S-tum abs
 [FAL type]
 (16bit M-turn abs)
 Y : 17bit S-turn abs
 (Magnetic)

Rated Speed
 A : 3000[rpm]
 D : 2000[rpm]
 G : 1500[rpm]
 M : 1000[rpm]

Oil Seal, Brake Type
 None: None
 1 : Oil seal attached
 2 : Brake attached
 3 : Oil seal, Brake
 attached
 Note1) In case of 40, 60, 80
 flange product,
 you can apply 200V
 drive only.
 Note2) If you apply
 nonstandard encoder,
 please contact our
 office.
 Note3) Refer to brake
 operating voltage

Shape of Shaft End
 N : Straight
 K : One side round key
 (Standard)

Motor Specifications [Rated 3000r/min]

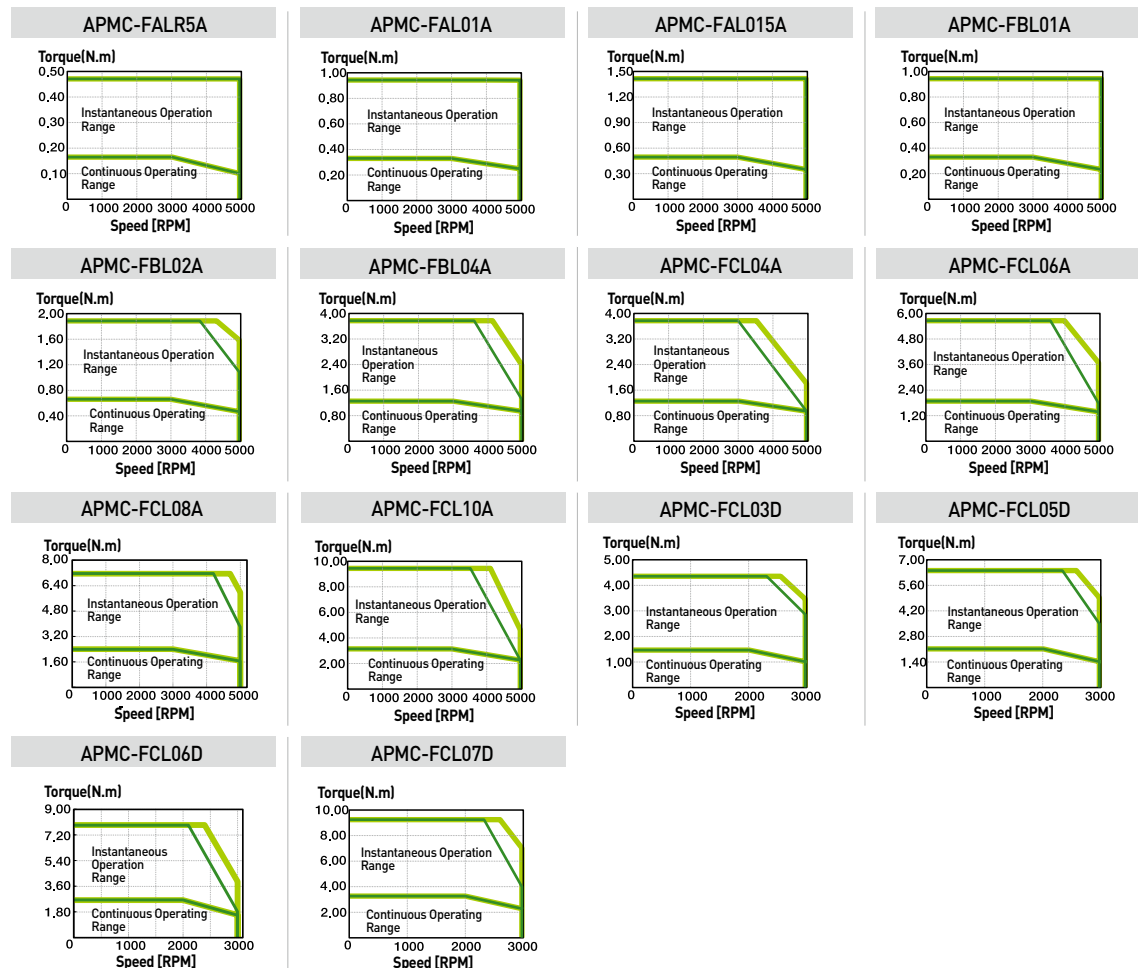
Servo Motor (APMC-□□□□□)	FALR5A	FAL01A	FAL015A	FBL01A	FBL02A	FBL04A	FCL04A	FCL06A	FCL08A	FCL10A	FCL03D	FCL05D	FCL06D	FCL07D	
Applicable Drive	L7□A001	L7□A002	L7□A001	L7□A002	L7□A004	L7□A008	L7□A010	L7□A004	L7□A008	L7□A008	L7□A008	L7□A008	L7□A008	L7□A008	
Flange Size(□)	□40				□60				□80						
Rated Output [kW]	0.05	0.1	0.15	0.1	0.2	0.4	0.4	0.6	0.75	1	0.3	0.45	0.55	0.65	
Rated Torque	[N·m]	0.16	0.32	0.48	0.32	0.64	1.27	1.27	1.91	2.39	3.18	1.43	2.15	2.63	3.1
	[kgf·cm]	1.62	3.25	4.87	3.25	6.49	12.99	12.99	19.49	24.36	32.48	14.62	21.92	26.8	31.67
Max. Instantaneous	[N·m]	0.48	0.96	1.43	0.96	1.91	3.82	3.82	5.73	7.16	9.55	4.3	6.45	7.88	9.31
	[kgf·cm]	4.87	9.74	14.62	9.74	19.48	38.96	38.98	58.47	73.08	97.44	43.85	65.77	80.39	95.01
Rated Current [A]	0.95	1.25	1.60	0.95	1.45	2.6	2.58	3.81	5.02	5.83	2.5	3.05	3.06	3.83	
Max. Current [A]	2.85	3.75	4.80	2.85	4.35	7.8	7.75	11.42	15.07	17.5	7.51	9.16	9.18	11.5	
Rated Speed [r/min]	3000										2000				
Max. Speed [r/min]	5000										3000				
Inertia	[kg·m ² ×10 ⁻⁴]	0.023	0.042	0.063	0.091	0.147	0.248	0.53	0.897	1.264	1.632	0.53	0.897	1.264	1.63
	[gf·cm ²]	0.024	0.043	0.065	0.093	0.15	0.253	0.541	0.915	1.29	1.665	0.541	0.915	1.29	1.66
Allowable Load Inertia Ratio	30 times of motor inertia			20 times of motor inertia			15 times of motor inertia								
Rated Power Rate [kW/s]	10.55	23.78	36.19	11.09	27.6	27.07	30.6	40.66	45.09	62.08	38.73	51.47	54.56	59.03	
Speed/Position Detector	Standard	Serial Multi-Turn Built-in Type(18bit)					Serial Multi-Turn Built-in Type(19bit)								
Specifications & Features	Option	×													
	Structure	Fully closed-Self cooling IP67 <small>Note1</small>													
	Rated Time	Continuous													
	Ambient Temp	Operating : 0 ~ 40[°C] Storage : -10 ~ 60[°C]													
	Ambient Humidity	Operating : Below 80[%]RH / Storage : Below 90[%]RH (avoid dew-condensation)													
Atmosphere	Avoid direct sunlight, no corrosive gas, inflammable gas, oil mist, or dust.														
E/V	Elevation/vibration 49[m/s ²][5G]														
Weight [kg]	0.31	0.45	0.61	0.56	0.74	1.06	1.52	2.14	2.68	3.3	1.26	2.12	2.66	2.78	

Note1) Except for axis penetration, when you attach reducer to the motor, we don't guarantee IP for reducer. If you bend over specification designated in cable standard, it is difficult to guarantee IP marked. It can be satisfied protection grade when you use private cable only.

Speed-Torque Characteristics

■ 3 Phase AC200V

■ 3 Phase AC230V



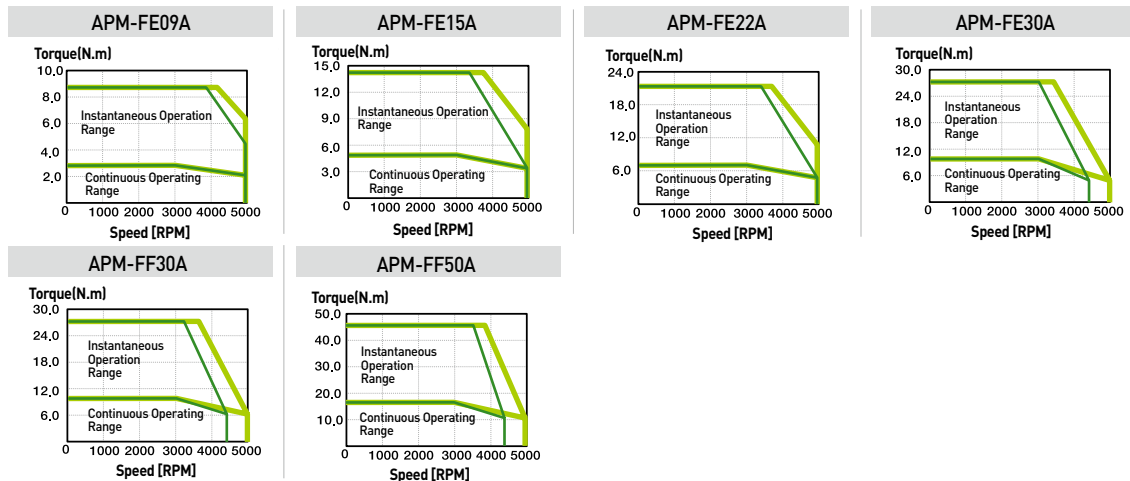
Motor Specifications [Rated 3000r/min]

Servo Motor (APM-□□□□)		FE09A	FE15A	FE22A	FE30A	FF30A	FF50A
Applicable Drive		L7□A010	L7□A020		L7□A035		L7□A050
Flange Size(□)		□130		□180			
Rated Output	[kW]	0.9	1.5	2.2	3	3	5
Rated Torque	[N·m]	2.86	4.77	7	9.55	9.55	15.91
	[kgf·cm]	29.2	48.7	71.4	97.4	97.4	162.3
Max. Instantaneous	[N·m]	8.59	14.32	21.01	28.65	28.65	47.74
	[kgf·cm]	87.7	146.1	214.3	292.2	292.3	487
Rated Current	[A]	6.45	9.15	13.24	16.09	15.26	26.47
Max. Current	[A]	19.35	27.45	39.72	48.27	45.78	79.41
Rated Speed	[r/min]	3000					
Max. Speed	[r/min]	5000					
Inertia	[kg·m ² X10 ⁻⁴]	5.66	10.18	14.62	19.04	27.96	46.56
	[gf·cm·s ²]	5.77	10.39	14.92	19.43	28.53	47.51
Allowable Load Inertia Ratio		10 times of motor inertia				5 times of motor inertia	
Rated Power Rate	[kW/s]	14.47	22.38	33.59	47.85	32.59	54.33
Speed/Position Detector	Standard	Serial Type 19[Bit]					
	Option	×					
Specifications & Features	Structure	Fully closed-Self cooling IP65 <small>Note1</small>					
	Rated Time	Continuous					
	Ambient Temp	Operating : 0 ~ 40[°C] Storage : -10 ~ 60[°C]					
	Ambient Humidity	Operating : Below 80[%]RH / Storage : Below 90[%]RH (avoid dew-condensation)					
	Atmosphere	Avoid direct sunlight, no corrosive gas, inflammable gas, oil mist, or dust.					
	E/V	Elevation/vibration 49[m/s ²][5G]					
Weight	[kg]	5	6.7	8.5	10.1	12.5	17.4

Note1) Except for axis penetration, when you attach reducer to the motor, we don't guarantee IP for reducer. If you bend over specification designated in cable standard, it is difficult to guarantee IP marked. It can be satisfied protection grade when you use private cable only.

Speed-Torque Characteristics

- 3 Phase AC200V
- 3 Phase AC230V



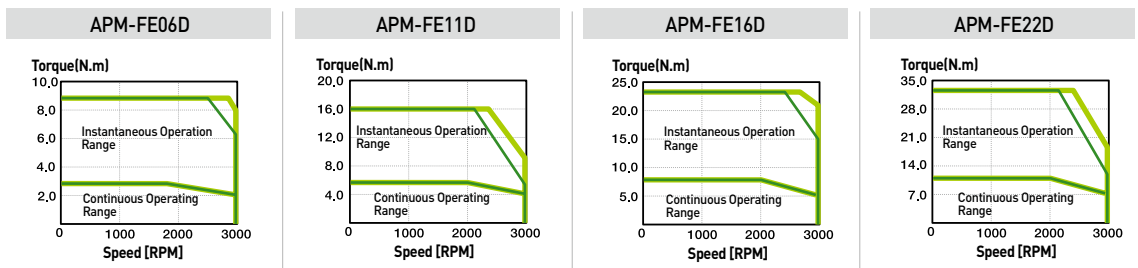
Motor Specifications [Rated 2000r/min]

Servo Motor (APM-□□□□)		FE06D	FE11D	FE16D	FE22D
Applicable Drive		L7□A008	L7□A010	L7□A020	
Flange Size(□)		□130			
Rated Output	[kW]	0.6	1.1	1.6	2.2
	[N·m]	2.86	5.25	7.63	10.5
Rated Torque	[kgf·cm]	29.20	53.6	77.9	107.1
	[N·m]	8.59	15.75	22.92	31.51
Max. Instantaneous	[kgf·cm]	87.7	160.7	233.8	321.4
	[A]	4.56	6.47	10.98	12.97
Rated Current	[A]	13.68	19.41	32.94	38.91
Rated Speed	[r/min]	2000			
Max. Speed	[r/min]	3000			
Inertia	[kg·m ² ×10 ⁻⁴]	5.66	10.18	14.62	19.04
	[gf·cm·s ²]	5.77	10.39	14.92	19.43
Allowable Load Inertia Ratio		10 times of motor inertia			
Rated Power Rate	[kW/s]	14.49	27.08	39.89	57.9
Speed/Position Detector	Standard	Serial Multi-Turn Type(19bit)			
	Option	×			
Specifications & Features	Structure	Fully closed-Self cooling IP65 <small>Note1</small>			
	Rated Time	Continuous			
	Ambient Temp	Operating : 0 ~ 40[°C] Storage : -10 ~ 60[°C]			
	Ambient Humidity	Operating : Below 80[%]RH / Storage : Below 90[%]RH(avoid dew-condensation)			
	Atmosphere	Avoid direct sunlight, no corrosive gas, inflammable gas, oil mist, or dust.			
E/V	Elevation/vibration 49[m/s ²][5G]				
Weight	[kg]	5	6.7	8.5	10.1

Note1) Except for axis penetration, when you attach reducer to the motor, we don't guarantee IP for reducer. If you bend over specification designated in cable standard, it is difficult to guarantee IP marked. It can be satisfied protection grade when you use private cable only.

Speed-Torque Characteristics

- 3 Phase AC200V
- 3 Phase AC230V



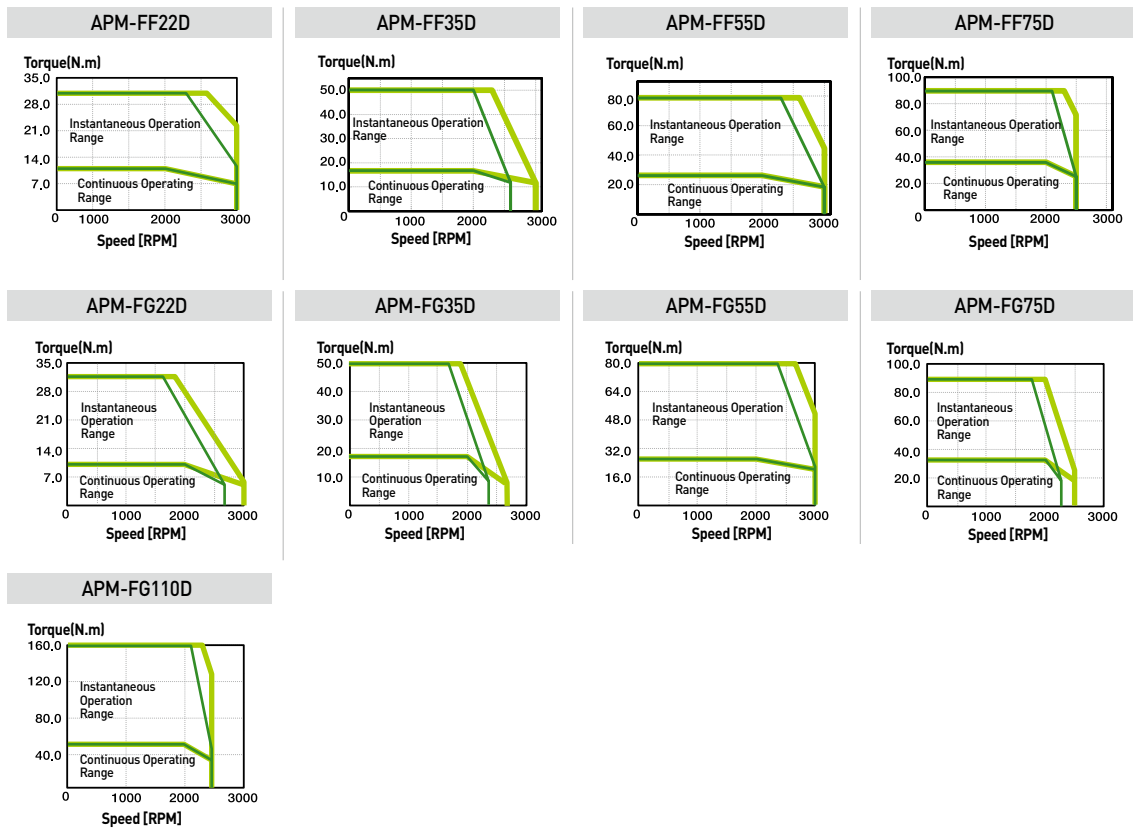
Motor Specifications [Rated 2000r/min]

Servo Motor (APM-□□□□□)	FF22D	FF35D	FF55D	FF75D	FG22D	FG35D	FG55D	FG75D	FG110D	
Applicable Drive	L7□A020	L7□A035	L7□A050	L7□A075	L7□A020	L7□A035	L7□A050	L7□A075	L7□A150	
Flange Size(□)	□180				□220					
Rated Output	[kW]	2.2	3.5	5.5	7.5	2.2	3.5	5.5	7.5	11
Rated Torque	[N·m]	10.5	16.7	26.25	35.81	10.5	16.71	26.25	35.81	52.52
	[kgf·cm]	107.1	170.4	267.8	365.4	107.1	170.4	267.8	365.4	535.9
Max. Instantaneous Current	[N·m]	31.5	50.1	78.76	89.53	31.51	50.12	78.76	89.53	157.55
	[kgf·cm]	321.3	511.4	803.4	913.5	321.3	511.3	803.4	913.5	1607.60
Rated Current	[A]	13.07	16.48	28.78	32.95	10.25	14.67	29.74	30.17	51.39
Max. Current	[A]	39.21	49.44	86.34	82.38	30.75	44.01	89.22	75.43	154.17
Rated Speed	[r/min]	2000								
Max. Speed	[r/min]	3000			2500	3000	2700	3000	2500	
Inertia	[kg·m ² X10 ⁻⁴]	27.96	46.56	73.85	106.7	41.13	71.53	117.52	149.4	291.36
	[gf·cm·s ²]	28.53	47.51	75.36	108.9	41.97	72.99	120.12	152.45	297.31
Allowable Load Inertia Ratio		5 times of motor inertia								
Rated Power Rate	[kW/s]	39.43	59.89	93.27	120.15	26.78	38.99	58.51	85.83	94.65
Speed/Position Detector	Standard	Serial Type(19bit)								
	Option	×								
Specifications & Features	Structure	Fully closed-Self cooling IP65 <small>Note1</small>								
	Rated Time	Continuous								
	Ambient Temp	Operating : 0 ~ 40[°C] Storage : -10 ~ 60[°C]								
	Ambient Humidity	Operating : Below 80[%]RH / Storage : Below 90[%]RH (avoid dew-condensation)								
	Atmosphere	Avoid direct sunlight, no corrosive gas, inflammable gas, oil mist, or dust.								
Weight	E/V	Elevation/vibration 49[m/s ²](5G)								
	[kg]	12.5	17.4	25.12	33.8	15.4	20.2	28.12	33.45	66.2

Note1) Except for axis penetration, when you attach reducer to the motor, we don't guarantee IP for reducer. If you bend over specification designated in cable standard, it is difficult to guarantee IP marked. It can be satisfied protection grade when you use private cable only.

Speed-Torque Characteristics

- 3 Phase AC200V
- 3 Phase AC230V



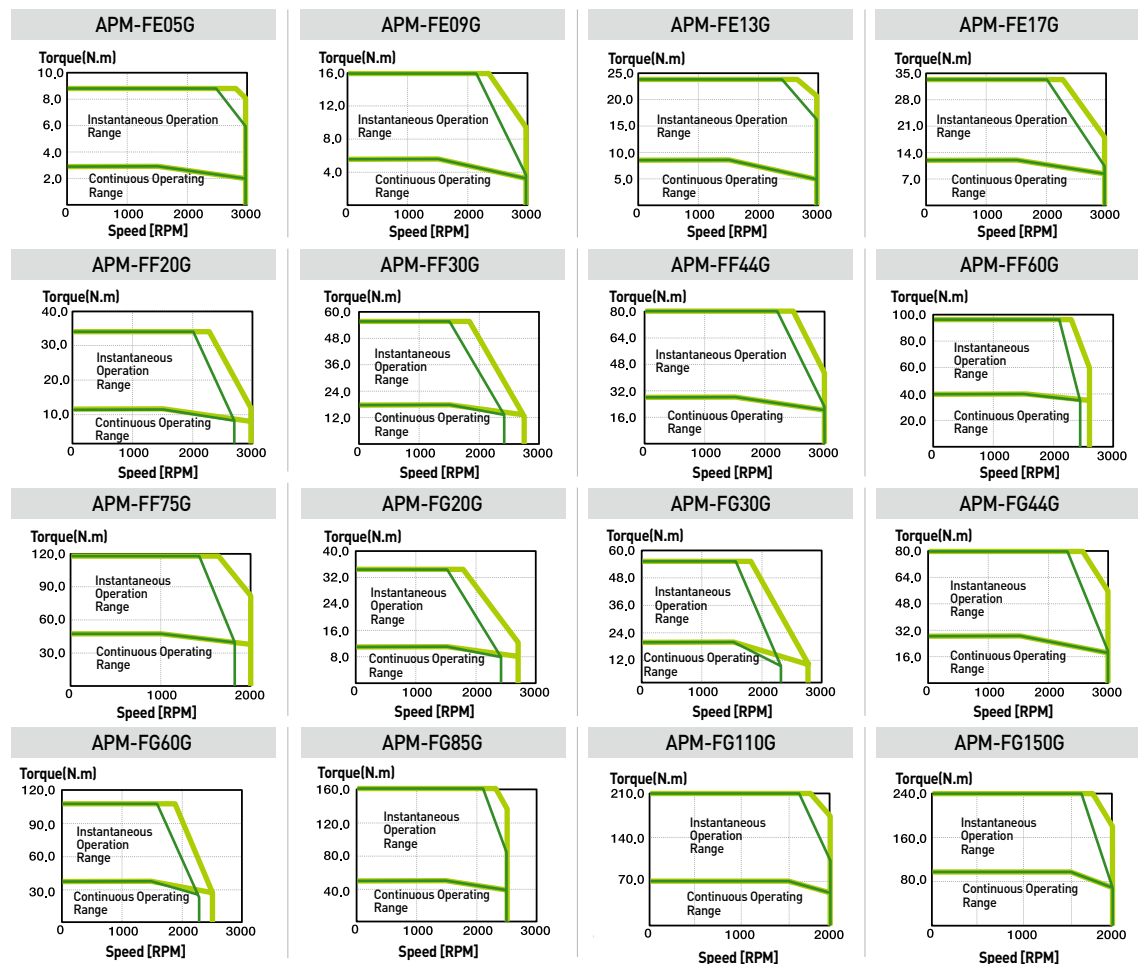
Motor Specifications [Rated 1500r/min]

Servo Motor (APM-□□□□)	FE05G	FE09G	FE13G	FE17G	FF20G	FF30G	FF44G	FF60G	FF75G	FG20G	FG30G	FG44G	FG60G	FG85G	FG110G	FG150G		
Applicable Drive	L7□A008 L7□A010		L7□A020		L7□A020 L7□A035		L7□A050 L7□A075		L7□A075 L7□A075		L7□A020 L7□A035		L7□A050 L7□A075		L7□A150			
Flange Size(□)	□130						□180						□220					
Rated Output	[kW]	0.45	0.85	1.3	1.7	1.8	2.9	4.4	6	7.5	1.8	2.9	4.4	6	8.5	11	15	
Rated Torque	[N·m]	2.86	5.41	8.27	10.82	11.45	18.46	28	38.2	47.7	11.5	18.5	28	38.2	54.11	69.99	95.45	
	[kgf·cm]	29.22	55.19	84.41	110.38	116.9	188.3	285.7	389.8	487.2	116.9	188.4	285.8	389.7	552.1	714.2	974	
Max. Instantaneous	[N·m]	8.59	16.23	24.82	32.46	34.35	55.38	78.4	95.5	119.3	34.4	55.4	78.4	95.5	162.32	209.97	238.63	
	[kgf·cm]	87.66	165.57	253.23	331.14	350.6	564.9	799.6	974.9	1217.3	350.8	565.1	800.24	974.3	1656.30	2142.60	2435	
Rated Current	[A]	4.56	6.67	11.9	13.36	12.16	15.98	30.7	35.14	35.26	11.18	16.21	31.72	32.18	52.94	59.3	75.6	
Max. Current	[A]	13.68	20.01	35.7	40.08	36.48	47.94	85.96	87.85	88.15	33.54	48.63	88.82	96.54	158.82	177.9	189	
Rated Speed	[r/min]	1500																
Max. Speed	[r/min]	3000				3000	2700	3000	2500	2200	2700			3000	2500	2500	2000	2000
Inertia	[kg·m ² ×10 ⁻⁴]	5.66	10.18	14.62	19.04	27.96	46.56	73.85	106.7	131.3	14.13	21.53	117.72	149.4	291.36	291.36	424.57	
	[gf·cm ²]	5.77	10.39	14.92	19.43	28.53	47.51	75.36	108.9	134	41.97	72.99	120.12	152.45	297.31	297.31	416.08	
Allowable Load Inertia Ratio		10 times of motor inertia						5 times of motor inertia										
Rated Power Rate	[kW/s]	14.49	28.74	46.81	61.46	46.92	73.14	106.15	136.73	173.63	31.91	47.66	66.64	97.63	100.48	168.27	223.44	
Speed/Position Detector	Standard	Serial Type 19[bit]																
	Option	×																
Specifications & Features	Structure	Fully closed-Self cooling IP65 <small>Note1</small>																
	Rated Time	Continuous																
	Ambient Temp	Operating : 0 ~ 40[°C] Storage : -10 ~ 60[°C]																
	Ambient Humidity	Operating : Below 80[%]RH / Storage : Below 90[%]RH[avoid dew-condensation]																
	Atmosphere	Avoid direct sunlight, no corrosive gas, inflammable gas, oil mist, or dust.																
E/V		Elevation/vibration 49[m/s ²][5G]																
Weight	[kg]	5.0	6.7	8.5	10.1	12.5	17.4	25.2	33.8	38.5	15.4	20.2	28	33.45	66.2	66.3	92.2	

Note1) Except for axis penetration, when you attach reducer to the motor, we don't guarantee IP for reducer. If you bend over specification designated in cable standard, it is difficult to guarantee IP marked. It can be satisfied protection grade when you use private cable only.

Speed-Torque Characteristics

- 3 Phase AC200V
- 3 Phase AC230V



Servo Motor

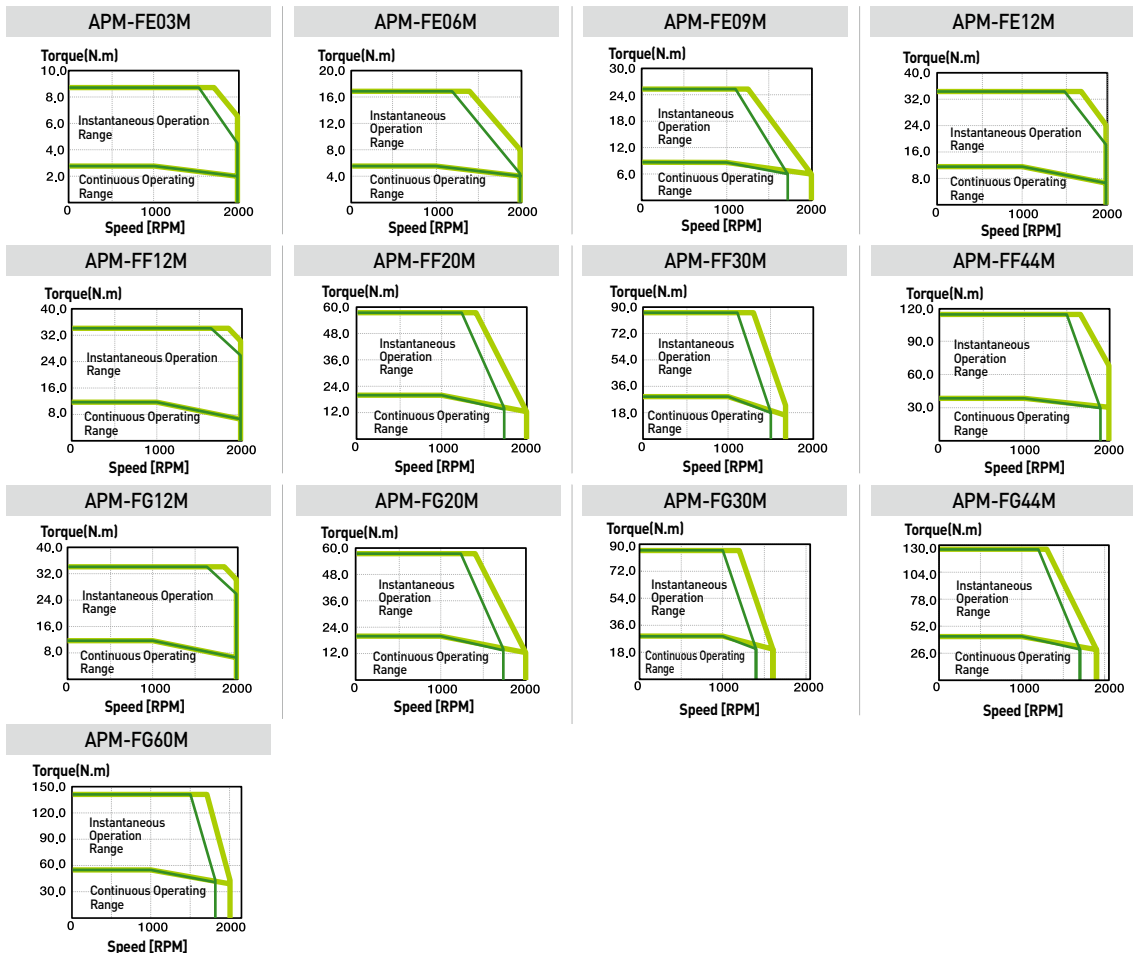
Motor Specifications [Rated 1000r/min]

Servo Motor [APM-□□□□]	FE03M	FE06M	FE09M	FE12M	FF12M	FF20M	FF30M	FF44M	FG12M	FG20M	FG30M	FG44M	FG60M	
Applicable Drive	L7□A004	L7□A008	L7□A010		L7□A020		L7□A035	L7□A050		L7□A020	L7□A035	L7□A050	L7□A075	
Flange Size [□]	□130				□180				□220					
Rated Output [kW]	0.3	0.6	0.9	1.2	1.2	2	3	4.4	1.2	2	3	4.4	6.0	
Rated Torque	[N·m]	2.86	5.72	8.59	11.46	11.46	19.09	28.64	42.02	11.5	19.1	28.6	42	57.29
	[kgf·cm]	29.22	58.4	87.7	116.9	116.9	194.8	292.2	428.7	116.9	194.9	292.3	428.7	584.6
Max. Instantaneous	[N·m]	8.59	17.18	25.77	34.22	34.38	57.29	85.94	105.05	34.4	57.3	85.9	126	143.2
	[kgf·cm]	87.66	175.3	262.9	349.1	350.7	584.4	876.6	1071.52	350.8	584.6	876.9	128.61	1432.4
Rated Current [A]	2.73	4.56	6.18	10.67	11.01	12.96	16.58	30.6	11.28	13.1	15.52	27.26	39.32	
Max. Current [A]	8.19	13.68	18.54	32.01	33.03	38.88	49.74	85.68	33.84	39.3	46.56	81.78	98.30	
Rated Speed [r/min]	1000													
Max. Speed [r/min]	2000					1700			2000			1600	1900	2000
Inertia	[kg·m ² ×10 ⁻⁴]	5.66	10.18	14.62	19.04	27.96	46.56	73.85	106.7	41.13	71.53	117.72	149.4	291.36
	[gf·cm·s ²]	5.77	10.39	14.92	19.43	28.53	47.51	75.36	108.9	41.97	72.99	120.12	152.45	297.31
Allowable Load Inertia Ratio	10 times of motor inertia						5 times of motor inertia							
Rated Power Rate [kW/s]	14.49	32.22	50.48	68.91	46.94	78.27	111.04	165.38	31.91	51	69.7	118.14	112.65	
Speed/Position Detector	Standard	Serial Type 19[bit]												
	Option	×												
Specifications & Features	Structure	Fully closed-Self cooling IP65 <small>Note1</small>												
	Rated Time	Continuous												
	Ambient Temp	Operating : 0 ~ 40[°C] Storage : -10 ~ 60[°C]												
	Ambient Humidity	Operating : Below 80[%]RH / Storage : Below 90[%]RH (avoid dew-condensation)												
	Atmosphere	Avoid direct sunlight, no corrosive gas, inflammable gas, oil mist, or dust.												
	E/V	Elevation/vibration 49[m/s ²][5G]												
Weight [kg]	5.0	6.7	8.5	10.1	12.5	17.4	25.2	33.8	15.4	20.2	28	33.5	66.2	

Note1 Except for axis penetration, when you attach reducer to the motor, we don't guarantee IP for reducer. If you bend over specification designated in cable standard, it is difficult to guarantee IP marked. It can be satisfied protection grade when you use private cable only.

Speed-Torque Characteristics

- 3 Phase AC200V
- 3 Phase AC230V



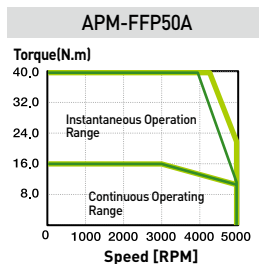
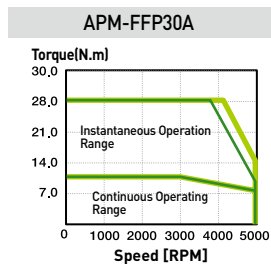
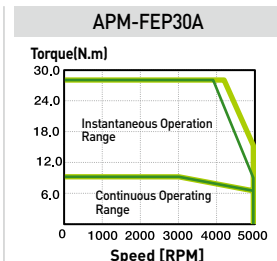
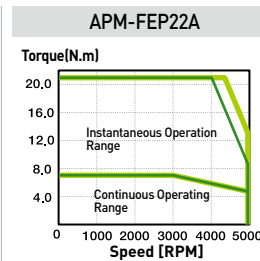
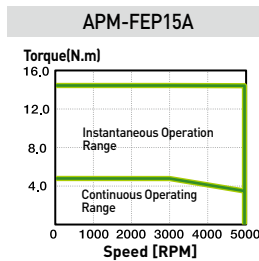
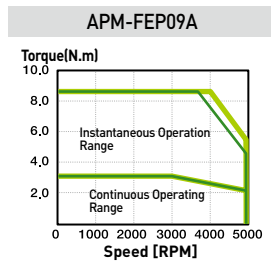
Motor Specifications [Rated 3000r/min]

Servo Motor [APM-□□□□□]	FEP09A	FEP15A	FEP22A	FEP30A	FFP30A	FFP50A	
Applicable Drive	L7□B010□	L7□B020□		L7□B035□		L7□B050□	
Flange Size[□]	□130				□180		
Rated Output	[kW]	0.9	1.5	2.2	3	3	5
Rated Torque	[N·m]	2.86	4.77	7	9.55	9.55	15.92
	[kgf·cm]	29.23	48.72	71.46	97.44	97.44	162.4
Max. Instantaneous	[N·m]	8.59	14.32	21.01	28.65	28.65	39.79
	[kgf·cm]	87.7	146.16	214.37	292.33	292.33	406.01
Rated Current	[A]	3.47	6.68	7.64	9.94	9.79	16.07
Max. Current	[A]	10.4	20.03	22.92	29.81	29.38	40.18
Rated Speed	[r/min]	3000					
Max. Speed	[r/min]	5000					
Inertia	[kg·m ² X10 ⁻⁴]	5.659	10.179	14.619	19.04	27.96	46.56
	[gf·cm·s ²]	5.774	10.387	14.917	19.429	28.531	47.51
Allowable Load Inertia Ratio		10 times of motor inertia				5 times of motor inertia	
Rated Power Rate	[kW/s]	14.5	22.4	33.55	47.89	32.61	54.4
Speed/Position Detector	Standard	Serial Type 19[bit]					
	Option	×					
Specifications & Features	Structure	Fully closed-Self cooling IP65 ^{Note1)}					
	Rated Time	Continuous					
	Ambient Temp	Operating : 0 ~ 40[°C] Storage : -10 ~ 60[°C]					
	Ambient Humidity	Operating : Below 80[%]RH / Storage : Below 90[%]RH (avoid dew-condensation)					
	Atmosphere	Avoid direct sunlight, no corrosive gas, inflammable gas, oil mist, or dust.					
E/V	Elevation/vibration 49[m/s ²][5G]						
Weight	[kg]	5.5	7.54	9.68	11.78	12.4	17.7

Note1) Except for axis penetration, when you attach reducer to the motor, we don't guarantee IP for reducer. If you bend over specification designated in cable standard, it is difficult to guarantee IP marked. It can be satisfied protection grade when you use private cable only.

Speed-Torque Characteristics

- 3 Phase AC200V
- 3 Phase AC230V



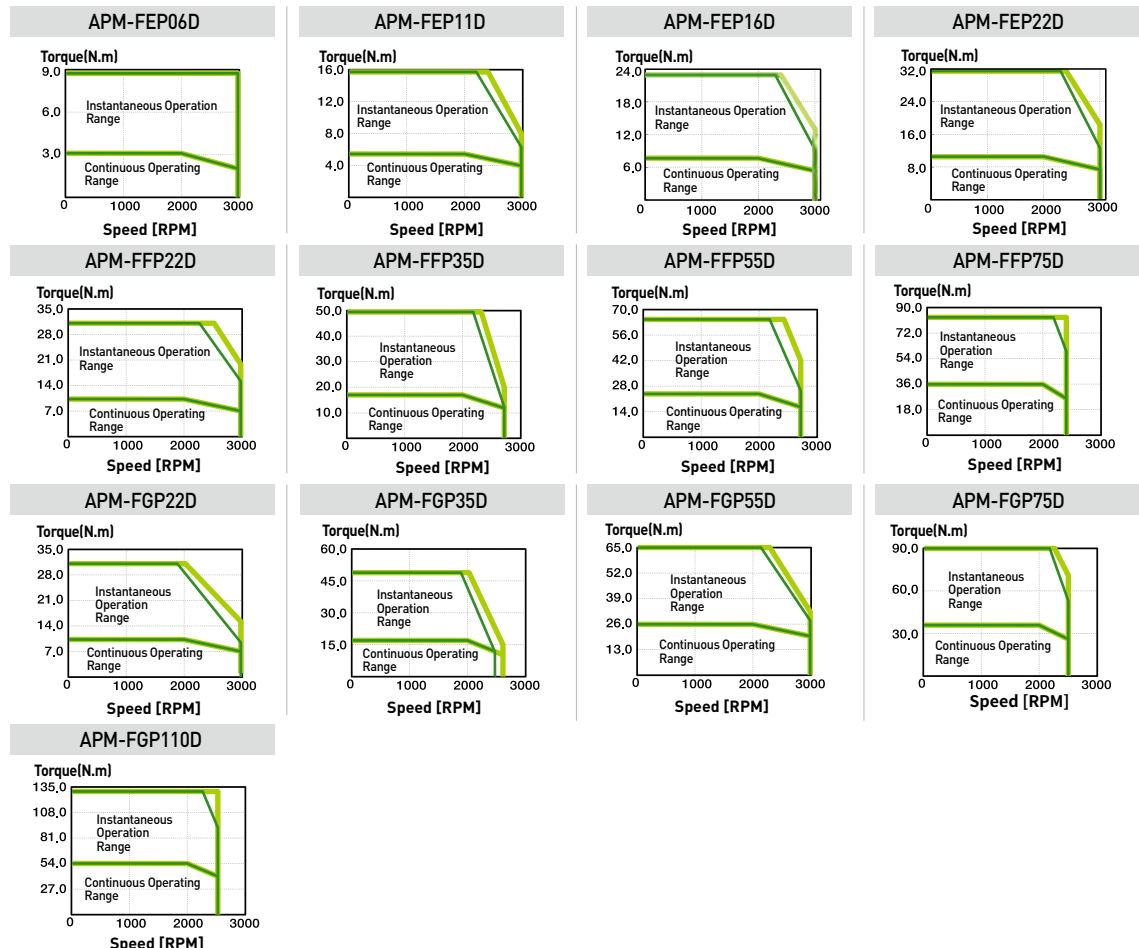
Motor Specifications [Rated 2000r/min]

Servo Motor [APM-□□□□□]	FEP06D	FEP11D	FEP16D	FEP22D	FFP22D	FFP35D	FFP55D	FFP75D	FGP22D	FGP35D	FGP55D	FGP75D	FGP110D	
Applicable Drive	L7□B010□		L7□B020□		L7□B035□		L7□B050□		L7□B075□		L7□B100□		L7□B150□	
Flange Size[□]	□130				□180				□220					
Rated Output [kW]	0.6	1.1	1.6	2.2	2.2	3.5	5.5	7.5	2.2	3.5	5.5	7.5	11	
Rated Torque	[N·m]	2.86	5.25	7.64	10.5	10.5	16.71	26.26	35.81	10.5	16.71	26.26	35.81	52.52
	[kgf·cm]	29.23	53.59	77.95	107.19	107.19	170.52	267.96	365.41	107.19	170.52	267.96	365.41	535.93
Max. Instantaneous	[N·m]	8.59	15.76	22.92	31.51	31.51	50.13	65.65	89.52	31.51	50.13	65.65	89.52	131.30
	[kgf·cm]	87.7	160.78	233.86	321.56	321.56	511.57	669.84	913.52	321.56	511.57	669.84	913.52	1339.69
Rated Current [A]	3.28	3.4	4.97	6.80	6.93	9.09	14.70	18.97	7.12	8.73	16.04	19.10	27.41	
Max. Current [A]	9.83	10.19	14.92	20.4	20.8	27.26	36.75	47.42	21.35	26.2	40.1	47.76	68.52	
Rated Speed [r/min]	2000													
Max. Speed [r/min]	3000				2700			2500	3000	2700	3000	2500		
Inertia	[kg·m ² ×10 ⁻⁴]	5.659	10.179	14.619	19.04	27.96	46.56	73.85	106.73	41.13	71.53	117.72	149.4	291.36
	[gf·cm ²]	5.774	10.387	14.917	19.429	28.531	47.51	75.357	108.908	41.97	72.99	120.12	152.45	297.31
Allowable Load Inertia Ratio	10 times of motor inertia					5 times of motor inertia								
Rated Power Rate [kW/s]	14.5	27.1	39.92	57.95	39.46	59.98	93.38	120.15	26.83	39.04	58.58	85.83	94.68	
Speed/Position Detector	Standard	Serial Type 19[bit]												
	Option	×												
Specifications & Features	Structure	Fully closed-Self cooling IP65 <small>Note1</small>												
	Rated Time	Continuous												
	Ambient Temp	Operating : 0 ~ 40[°C] Storage : -10 ~ 60[°C]												
	Ambient Humidity	Operating : Below 80[%]RH / Storage : Below 90[%]RH (avoid dew-condensation)												
	Atmosphere	Avoid direct sunlight, no corrosive gas, inflammable gas, oil mist, or dust.												
E/V	Elevation/vibration 49[m/s ²][5G]													
Weight [kg]	5.5	7.54	9.68	11.78	12.4	17.7	26.3	35.6	16.95	21.95	30.8	37.52	66.2	

Note1) Except for axis penetration, when you attach reducer to the motor, we don't guarantee IP for reducer. If you bend over specification designated in cable standard, it is difficult to guarantee IP marked. It can be satisfied protection grade when you use private cable only.

Speed-Torque Characteristics

- 3 Phase AC200V
- 3 Phase AC230V



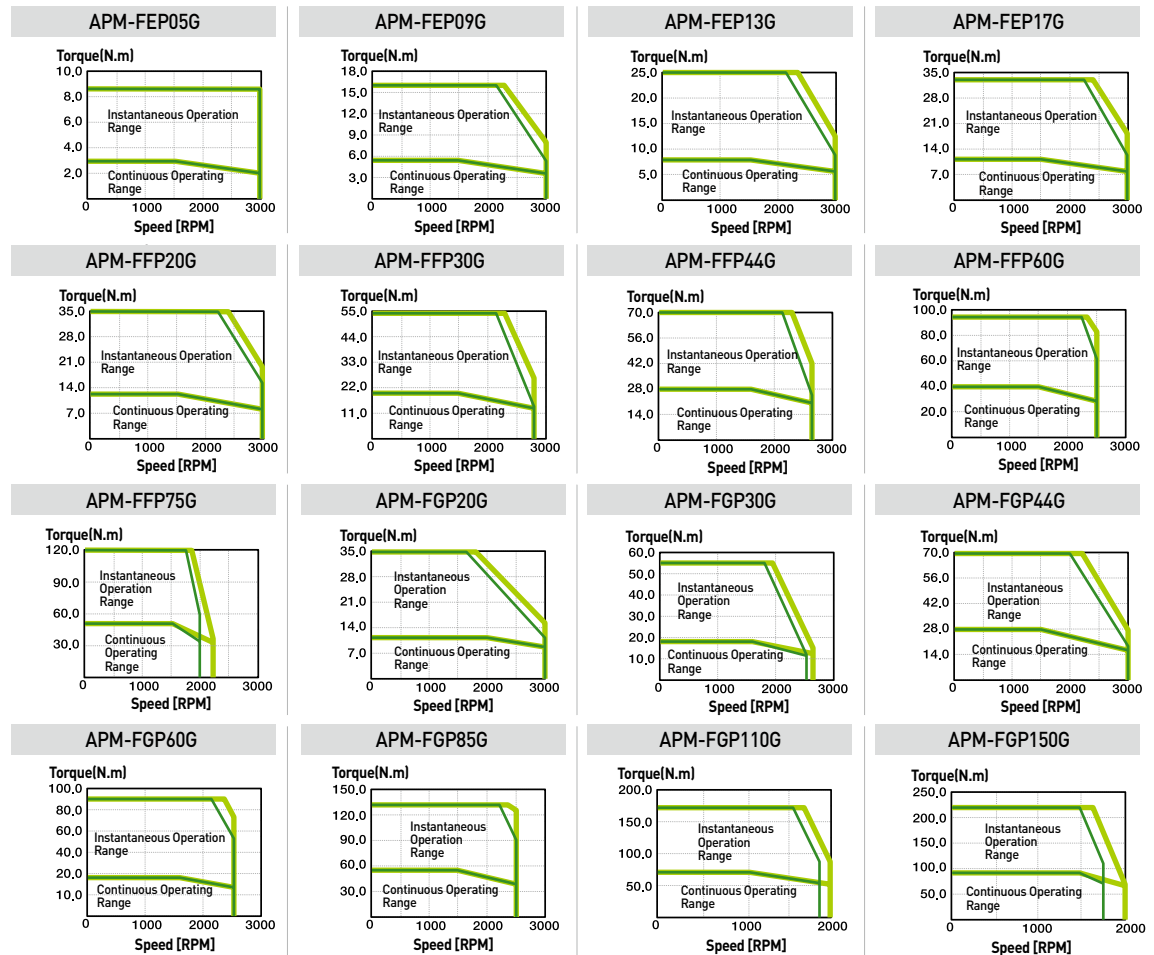
Motor Specifications [Rated 1500r/min]

Servo Motor (APM-□□□□□)	FEP05G	FEP09G	FEP13G	FEP17G	FFP20G	FFP30G	FFP44G	FFP60G	FFP75G	FGP20G	FGP30G	FGP44G	FGP60G	FGP85G	FGP110G	FGP150G					
Applicable Drive	L7□B010□		L7□B020□			L7□B035□		L7□B050□		L7□B075□		L7□B020□		L7□B035□		L7□B050□		L7□B075□		L7□B150□	
Flange Size(□)	□130						□180						□220								
Rated Output	[kW]	0.45	0.85	1.3	1.7	1.8	2.9	4.4	6	7.5	1.8	2.9	4.4	6	8.5	11	15				
	[N·m]	2.86	5.41	8.28	10.82	11.46	18.46	28.01	38.2	47.75	11.46	18.46	28.01	38.2	54.11	70.03	95.49				
	[kgf·cm]	29.23	55.22	84.45	110.43	116.93	188.39	285.83	389.77	487.21	116.93	188.39	285.83	389.77	552.17	714.57	974.42				
Max. Instantaneous	[N·m]	8.59	16.23	24.83	32.47	34.38	55.39	70.02	95.49	119.37	34.38	55.39	70.03	95.49	135.28	175.07	238.73				
	[kgf·cm]	87.7	166.65	253.35	331.3	350.79	565.16	714.48	974.42	1,218.02	350.79	565.16	714.57	974.42	1,380.43	1,786.43	2,436.05				
Rated Current	[A]	3.28	3.50	5.39	7.01	7.56	10.04	15.68	20.23	20.01	7.76	9.65	17.11	20.38	28.24	28.02	35.71				
Max. Current	[A]	9.83	10.5	16.16	21.02	22.69	30.12	39.20	50.58	50.03	23.29	28.95	46.19	50.95	70.6	70.05	89.25				
Rated Speed	[r/min]	1500																			
Max. Speed	[r/min]	3000				2700		2700	2500	2200	3000	2700	3000	2500	2000						
Inertia	[kg·m ² ×10 ⁻⁴]	5.659	10.179	14.619	19.04	27.96	46.56	73.85	106.73	131.29	41.13	71.53	117.72	149.4	291.36	291.36	385.05				
	[gf·cm ²]	5.774	10.387	14.917	19.429	28.531	47.51	75.357	108.98	133.969	41.97	72.99	120.12	152.45	297.31	297.31	392.91				
Allowable Load Inertia Ratio		10 times of motor inertia						5 times of motor inertia													
Rated Power Rate	[kW/s]	14.5	28.77	46.85	61.52	46.96	73.21	106.25	136.7	173.64	25.53	47.65	66.65	97.66	100.5	168.3	236.82				
Speed/Position Detector	Standard	Serial Type 19[bit]																			
	Option	×																			
Specifications & Features	Structure	Fully closed-Self cooling IP65 <small>Note1</small>																			
	Rated Time	Continuous																			
	Ambient Temp	Operating : 0 ~ 40[°C] Storage : -10 ~ 60[°C]																			
	Ambient Humidity	Operating : Below 80[%]RH / Storage : Below 90[%]RH(avoid dew-condensation)																			
	Atmosphere	Avoid direct sunlight, no corrosive gas, inflammable gas, oil mist, or dust.																			
Weight	E/V	Elevation/vibration 49[m/s ²][5G]																			
	[kg]	5.5	7.54	9.68	11.78	12.4	17.7	26.3	35.6	39.4	16.95	21.95	30.8	37.52	66.2	66.3	92.2				

Note1) Except for axis penetration, when you attach reducer to the motor, we don't guarantee IP for reducer. If you bend over specification designated in cable standard, it is difficult to guarantee IP marked. It can be satisfied protection grade when you use private cable only.

Speed-Torque Characteristics

- 3 Phase AC200V
- 3 Phase AC230V



Servo Motor

Motor Specifications [Rated 1000r/min]

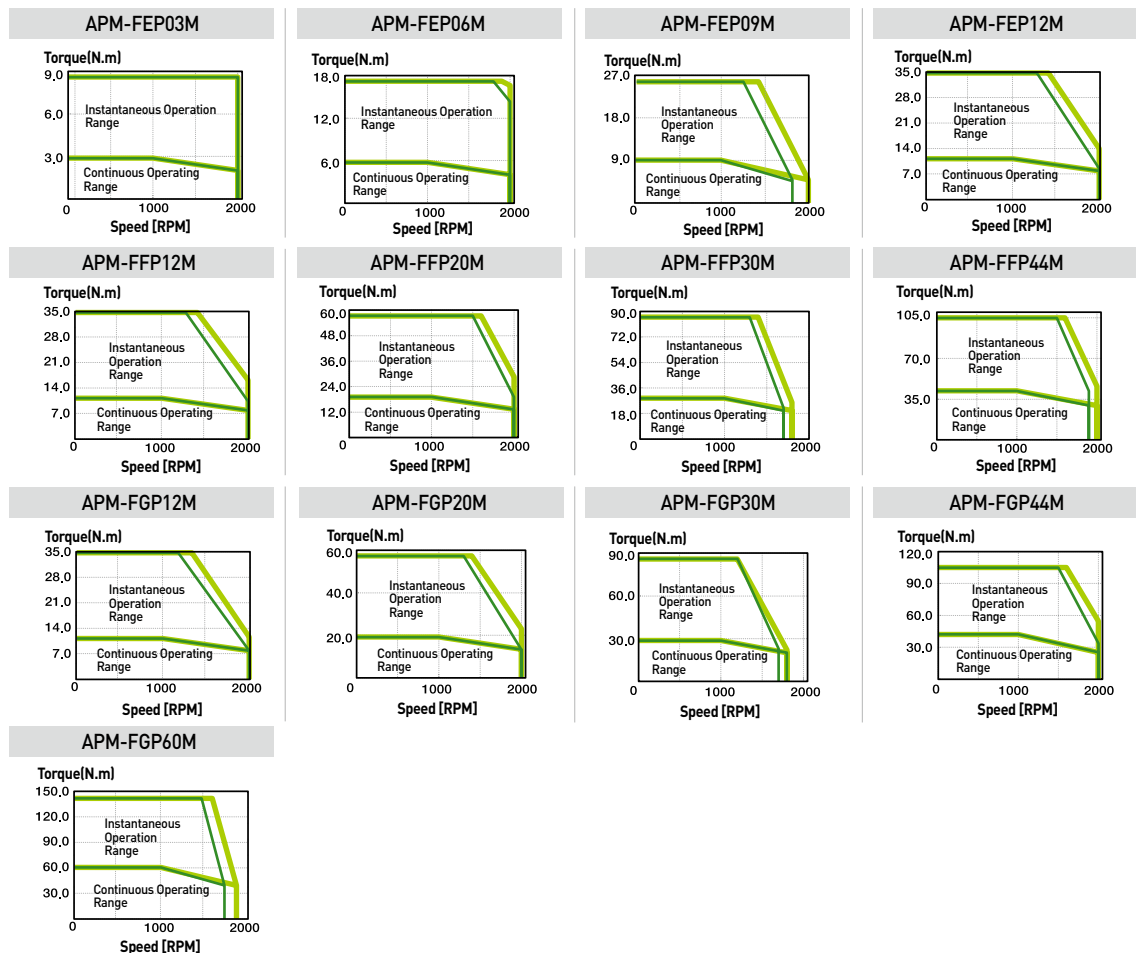
Servo Motor (APM-□□□□□)	FEP03M	FEP06M	FEP09M	FEP12M	FFP12M	FFP20M	FFP30M	FFP44M	FGP12M	FGP20M	FGP30M	FGP44M	FGP60M	
Applicable Drive	L7□B010□				L7□B020□				L7□B035□ L7□B050□		L7□B020□		L7□B035□ L7□B050□ L7□B075□	
Flange Size(□)	□130				□180				□220					
Rated Output	[kW]	0.3	0.6	0.9	1.2	1.2	2	3	4.4	1.2	2	3	4.4	6.0
Rated Torque	[N·m]	2.86	5.73	8.59	11.46	11.46	19.1	28.65	42.02	11.46	19.1	28.65	42.02	57.30
	[kgf·cm]	29.23	58.47	87.7	116.93	116.93	194.88	292.33	428.74	116.93	194.88	292.33	428.74	584.65
Max. Instantaneous	[N·m]	8.59	17.19	25.78	34.38	34.38	57.3	71.62	105.05	34.38	57.3	85.94	105.05	143.24
	[kgf·cm]	87.7	175.4	263.09	350.79	350.79	584.65	730.81	1071.85	350.79	584.65	876.98	1071.86	1461.63
Rated Current	[A]	3.28	3.28	3.33	4.87	4.83	7.94	9.97	16.69	4.75	7.88	9.97	17.39	20.23
Max.Current	[A]	9.83	9.83	9.99	14.6	14.5	23.83	29.91	41.73	14.24	23.64	29.91	43.48	49.69
Rated Speed	[r/min]	1000												
Max. Speed	[r/min]	2000				1800				2000		1800	2000	1900
Inertia	[kg·m ² X10 ⁻⁴]	5.659	10.179	14.619	19.04	27.96	46.56	73.85	106.73	41.13	71.53	117.72	149.4	291.36
	[gf·cm·s ²]	5.774	10.387	14.917	19.429	28.531	47.51	75.357	108.908	41.969	72.99	120.12	152.45	297.31
Allowable Load Inertia Ratio		10 times of motor inertia				5 times of motor inertia								
Rated Power Rate	[kW/s]	14.5	32.25	50.53	68.97	46.96	78.34	111.13	165.41	31.93	50.99	54.93	118.17	112.64
Speed/Position Detector	Standard	Serial Type 19[bit]												
	Option	×												
Specifications & Features	Structure	Fully closed-Self cooling IP65 <small>Note1</small>												
	Rated Time	Continuous												
	Ambient Temp	Operating : 0 ~ 40[°C] Storage : -10 ~ 60[°C]												
	Ambient Humidity	Operating : Below80[%]RH / Storage : Below 90[%]RH(avoid dew-condensation)												
	Atmosphere	Avoid direct sunlight, no corrosive gas, inflammable gas, oil mist, or dust.												
E/V		Elevation/vibration 49[m/s ²][5G]												
Weight	[kg]	5.5	7.54	9.68	11.78	12.4	17.7	26.3	35.6	16.95	21.95	30.8	37.52	66.2

Note1) Except for axis penetration, when you attach reducer to the motor, we don't guarantee IP for reducer. If you bend over specification designated in cable standard, it is difficult to guarantee IP marked. It can be satisfied protection grade when you use private cable only.

Speed-Torque Characteristics

■ 3 Phase AC200V

■ 3 Phase AC230V



PHOX DC Drive Motor Specification

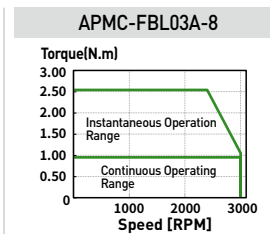
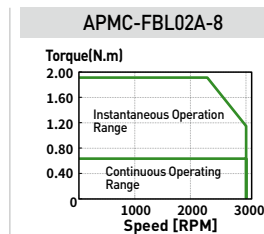
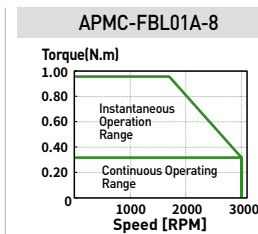
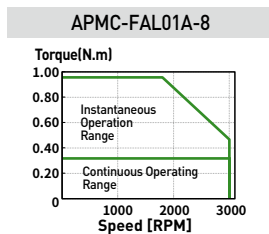
Servo Motor (APMC-□□□□□□□-8)	FAL01A-8	FBL01A-8	FBL02A-8	FBL03A-8
Applicable Drive	PHOX-03		PHOX-06	PHOX-06 ^{Note1)}
Flange Size(□)	□40	□60	□60	□60
Rated Output	[kW]	0.1	0.1	0.2
Rated Torque	[N·m]	0.32	0.32	0.64
	[kgf·cm]	3.25	3.25	6.49
Max. Instantaneous	[N·m]	0.96	0.96	1.92
	[kgf·cm]	9.74	9.74	19.48
Rated Current	[A]	2.71	2.5	5.54
Max. Current	[A]	8.13	7.50	16.62
Rated Speed	[r/min]	3000		
Max. Speed	[r/min]	5000	5000	5000
Inertia	[kg·m ² ×10 ⁻⁴]	0.042	0.091	0.147
	[gf·cm ²]	0.043	0.093	0.15
Allowable Load Inertia Ratio	30 times of motor inertia		20 times of motor inertia	
Rated Power Rate	[kW/s]	24.24	11.13	27.57
Speed/Position Detector	Standard	Serial Multi-Turn Built-in Type(18bit)		Serial Multi-Turn Built-in Type(19bit)
	Option	×		
Specifications & Features	Structure	Fullyclosed-SelfcoolingIP67 ^{Note2)}		
	Rated Time	Continuous		
	Ambient Temp	Operating : 0 ~ 40[°C] Storage : -10 ~ 60[°C]		
	Ambient Humidity	Operating : Below80[%]RH / Storage : Below 90[%]RH[avoid dew-condensation]		
	Atmosphere	Avoid direct sunlight, no corrosive gas, inflammable gas, oil mist, or dust.		
Weight	E/V	Elevation/vibration 49[m/s ²][5G]		
	[kg]	0.45	0.56	0.74

^{Note1)} If you need to apply PHOX-06 drive to a motor, please contact us.

^{Note2)} Except for axis penetration, when you attach reducer to the motor, we don't guarantee IP for reducer. If you bend over specification designated in cable standard, it is difficult to guarantee IP marked. It can be satisfied protection grade when you use private cable only.

Speed-Torque Characteristics

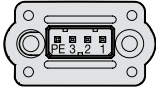
- 3Phase AC200V
- 3Phase AC230V



※ The graph above shows the rotational speed-torque characteristics when the drive input power is DC 48[V].

FAL Series

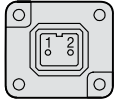
Plug Specifications



Power

Pin No.	Signal
1	U
2	V
3	W
PE	Ground

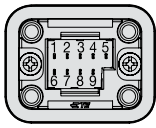
(Power Connector Pin Table)



Brake

Pin No.	Signal
1	BK+
2	BK-

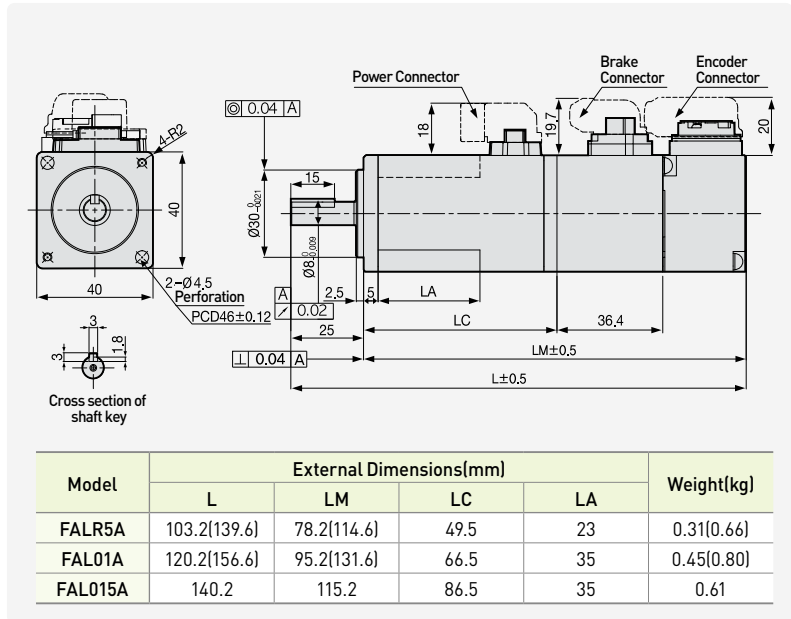
(Brake Connector Pin Table)



Encoder

Multi Turn (M)	
Pin No.	Signal
1	MA
2	SLO
3	GND_B
4	OV
5	SHIELD
6	MA
7	SLO
8	VDD_B
9	+5V

(Encoder Connector Pin Table)



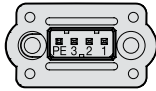
Note1) Use DC[24V] for brake input power supply.

Note2) The () is for brake-attached type.

Note3) For external dimensions for oil-sealed type. Please kindly contact us separately.

FBL Series

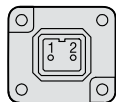
Plug Specifications



Power

Pin No.	Signal
1	U
2	V
3	W
PE	Ground

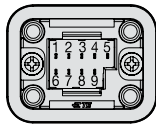
(Power Connector Pin Table)



Brake

Pin No.	Signal
1	BK+
2	BK-

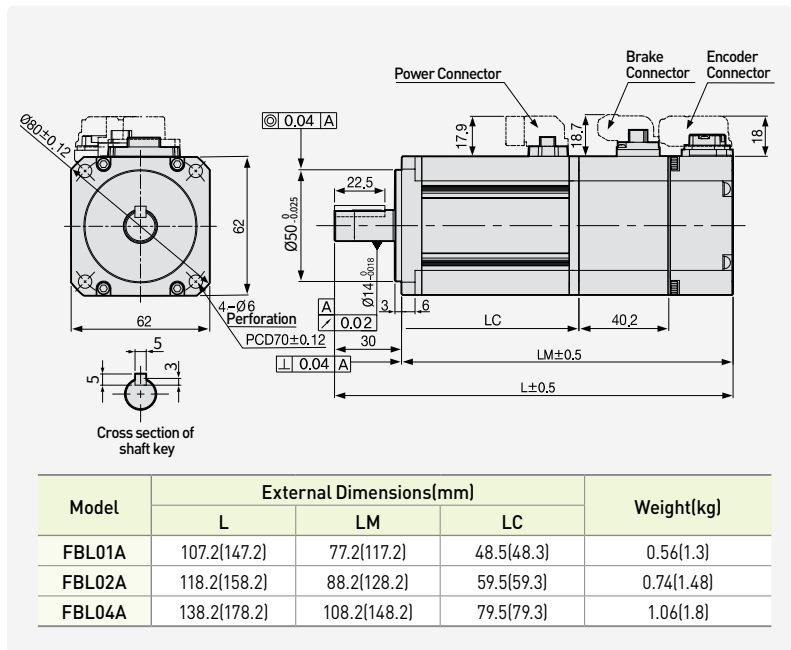
(Brake Connector Pin Table)



Encoder

Multi Turn (M)	
Pin No.	Signal
1	MA
2	SLO
3	GND_B
4	OV
5	SHIELD
6	MA
7	SLO
8	VDD_B
9	+5V

(Encoder Connector Pin Table)

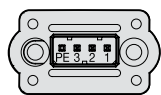


Note1) Use DC[24V] for brake input power supply.

Note2) The () is for brake-attached type.

Note3) For external dimensions for oil-sealed type. Please kindly contact us separately.

FCL Series

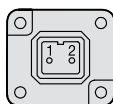


Plug Specifications

Power

Pin No.	Signal
1	U
2	V
3	W
PE	Ground

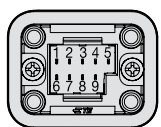
[Power Connector Pin Table]



Brake

Pin No.	Signal
1	BK+
2	BK-

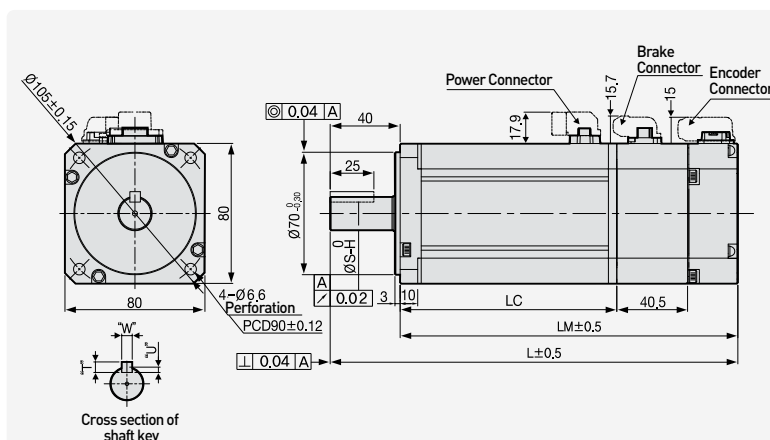
[Brake Connector Pin Table]



Encoder

Multi Turn (M)	
Pin No.	Signal
1	MA
2	SLO
3	GND_B
4	OV
5	SHIELD
6	MA
7	SLO
8	VDD_B
9	+5V

[Encoder Connector Pin Table]



Model	External Dimensions(mm)							Weight(kg)	
	L	LM	LC	S	H	T	W		U
FCL04A, FCL03D	138.7(179.5)	98.7(139.5)	70(69.8)	14	-0.018	5	5	3	1.52(2.32)/1.26(2.06)
FCL06A, FCL05D	156.7(197.5)	116.7(157.5)	88(87.8)	19	-0.021	6	6	3.5	2.14(2.94)/2.12(2.92)
FCL08A, FCL06D	174.7(215.5)	134.7(175.5)	106(105.8)	19	-0.021	6	6	3.5	2.68(3.48)/2.66(3.46)
FCL10A, FCL07D	192.7(233.5)	152.7(193.5)	124(123.8)	19	-0.021	6	6	3.5	3.30(4.10)/2.78(3.58)

Note1) Use DC[24V] for brake input power supply.

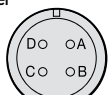
Note2) The () is for brake-attached type.

Note3) For external dimensions for oil-sealed type. Please kindly contact us separately.

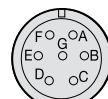
FE, FEP Series

Plug Specifications

Power



Spec.: MS3102A20-4P
(Standard)



Spec.: MS3102A20-15P
(Brake-attached type)

Encoder

Serial Type



Spec.: MS3102A20-29P

Power

Pin No.	Signal
A	U
B	V
C	W
D	Ground

Pin No.	Signal	Pin No.	Signal
A	U	D	Ground
B	V	E	BK+
C	W	F	BK-

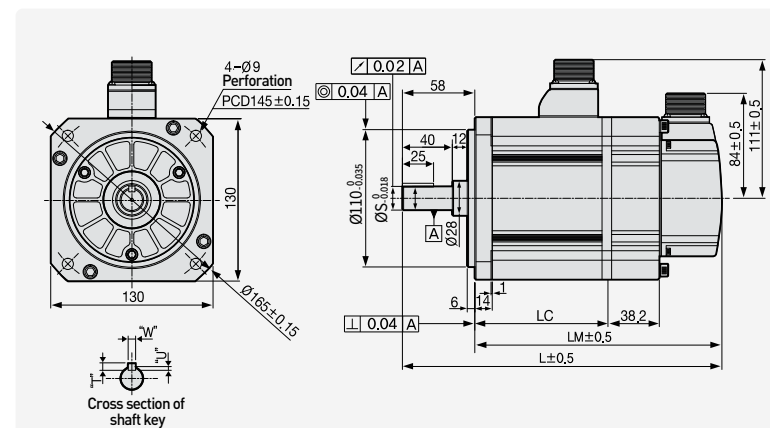
Encoder

Pin No.	Signal	Pin No.	Signal
A	MA	M	-
B	MA	N	-
C	SLO	P	-
D	SLO	R	-
E	-	H	+5V
F	-	G	OV
K	-	J	SHIELD
L	-	-	-

[Single Turn Encoder Connector Pin Table]

Pin No.	Signal	Pin No.	Signal
A	MA	M	-
B	MA	N	-
C	SLO	P	-
D	SLO	R	-
E	VDD_B	H	+5V
F	GND_B	G	OV
K	-	J	SHIELD
L	-	-	-

[Multi Turn Encoder Connector Pin Table]



Model	External Dimensions(mm)				Key			Weight (kg)
	L	LM	LC	S	T	W	U	
FE09A, FE06D, FE05G, FE03M, FEP09A, FEP06D, FEP05G, FEP03M	197.3(235.3)	139.3(177.3)	89.8(89.6)	19	5	5	3	5.04(6.58)
FE15A, FE11D, FE09G, FE06M, FEP15A, FEP11D, FEP09G, FEP06M	217.3(255.3)	159.3(197.3)	109.8(109.6)	19	5	5	3	6.74(8.28)
FE22A, FE16D, FE13G, FE09M, FEP22A, FEP16D, FEP13G, FEP09M	237.3(275.3)	179.3(217.3)	129.8(129.6)	22	6	6	3.5	8.48(10.02)
FE30A, FE22D, FE17G, FE12M, FEP30A, FEP22D, FEP17G, FEP12M	255.3(293.3)	197.3(235.3)	147.8(147.6)	24	7	8	4	10.05(11.59)

Note1) Use DC[24V] for brake input power supply.

Note2) The () is for brake-attached type.

FF, FFP Series Plug Specifications

Power



Spec.: MS3102A22-22P (Standard)



Spec.: MS3102A24-10P (Brake-attached type)

Encoder

Serial Type



Spec.: MS3102A20-29P

Power

Pin No.	Signal
A	U
B	V
C	W
D	Ground

Pin No.	Signal	Pin No.	Signal
A	U	D	Ground
B	V	E	BK+
C	W	F	BK-

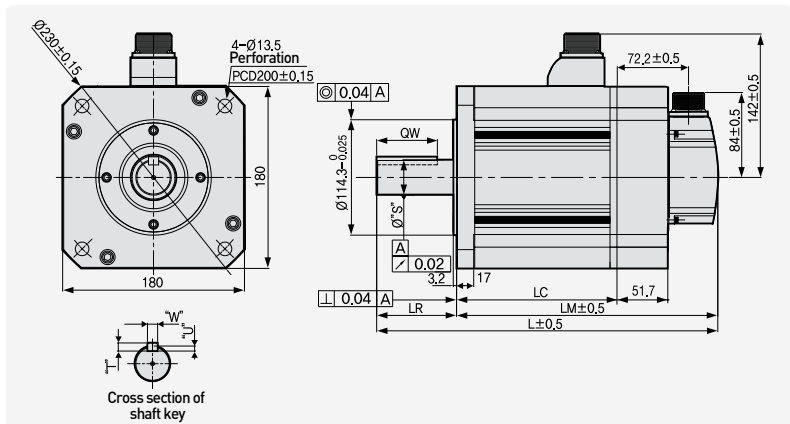
Encoder

Pin No.	Signal	Pin No.	Signal
A	MA	M	-
B	MÄ	N	-
C	SLO	P	-
D	SLO	R	-
E	-	H	+5V
F	-	G	0V
K	-	J	SHIELD
L	-	-	-

(Single Turn Encoder Connector Pin Table)

Pin No.	Signal	Pin No.	Signal
A	MA	M	-
B	MÄ	N	-
C	SLO	P	-
D	SLO	R	-
E	VDD_B	H	+5V
F	GND_B	G	0V
K	-	J	SHIELD
L	-	-	-

(Multi Turn Encoder Connector Pin Table)



Model	External Dimensions(mm)				Key					Weight (kg)
	L	LM	LC	LR	S	QW	T	W	U	
FF30A, FF22D, FF20G, FF12M, FFP30A, FFP22D, FFP20G, FFP12M	257.5 (308.9)	178.5 (229.9)	129 (128.7)							12.5 (19.7)
FF50A, FF35D, FF30G, FF20M, FFP50A, FFP35D, FFP30G, FFP20M	287.5 (338.9)	208.5 (259.9)	159 (158.7)	79	35 ^{+0.01} ₀	60	8	10	5	17.4 (24.6)
FF55D, FF44G, FF30M, FFP55D, FFP44G, FFP30M	331.5 (382.9)	252.5 (303.9)	203 (202.7)							25.2 (32.4)
FF75D, FF60G, FF44M, FFP75D, FFP60G, FFP44M	384.5 (435.9)	305.5 (356.9)	256 (255.7)		42 ⁰ _{0.016}			12		33.8 (41.0)
FF75G, FFP75G	439.5	326.5	277	113		96				38.5 (45.7)

Note1) FF30 Morabovemodelshave eyebolts.

Note2) Use DC[24V] for brake input power supply.

Note3) The () is for brake-attached type.

Note4) Use MS3102A32-17 for FF75G Power connector.

FG, FGP Series Plug Specifications

Power



Spec.: MS3102A22-22P (Standard)



Spec.: MS3102A14-7P (Brake-attached type)

Encoder

Serial Type



Spec.: MS3102A20-29P

Power

Pin No.	Signal
A	U
B	V
C	W
D	Ground

Pin No.	Signal
A	BK+
B	BK-
C	NC

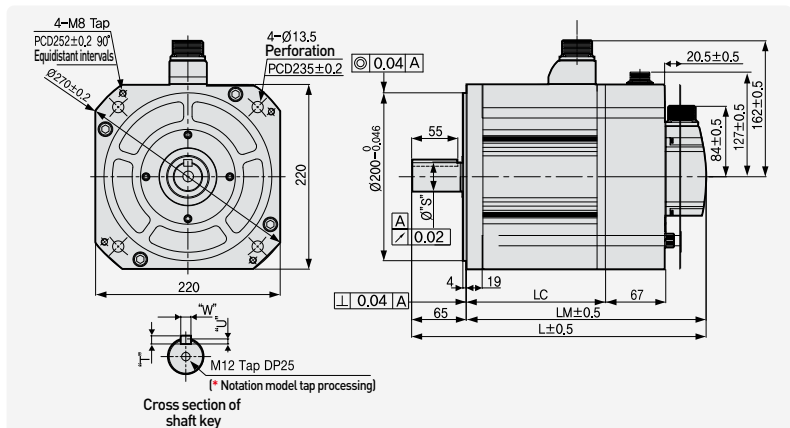
Encoder

Pin No.	Signal	Pin No.	Signal
A	MA	M	-
B	MÄ	N	-
C	SLO	P	-
D	SLO	R	-
E	-	H	+5V
F	-	G	0V
K	-	J	SHIELD
L	-	-	-

(Single Turn Encoder Connector Pin Table)

Pin No.	Signal	Pin No.	Signal
A	MA	M	-
B	MÄ	N	-
C	SLO	P	-
D	SLO	R	-
E	VDD_B	H	+5V
F	GND_B	G	0V
K	-	J	SHIELD
L	-	-	-

(Multi Turn Encoder Connector Pin Table)



Model	External Dimensions(mm)			Key				Weight (kg)	Power Connector
	L	LM	LC	S	T	W	U		
FG22D, FG20G, FG12M	229.5 (295.7)	164.5 (230.7)	115 (114.2)					15.42 (29.23)	MS3102A 22-22P
FG35D, FG30G, FG20M	250.5 (316.7)	185.5 (251.7)	136 (135.2)	35 ⁺⁰ _{0.01}	10	5		20.22 (34.03)	
FG55D, FG44G, FG30M	282.5 (348.7)	217.5 (283.7)	168 (167.2)		8			28.02 (41.83)	
FG75D, FG60G, FG44M	304.5 (370.7)	239.5 (305.7)	190 (189.2)	42 ⁰ _{0.016}	12			33.45 (47.26)	
*FG110D, *FG85G, *FG60M	418.5 (484.7)	353.5 (305.7)	304 (303.2)	45 ⁰ _{0.016}	10	6		66.2 (82.6)	
*FGP110D, *FGP85G									

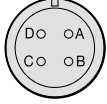
Note1) Incase Of SG, use DC24V ford brake input power supply.

Note2) The () is for brake-attached type

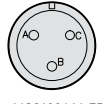
FG(P)110G

Plug Specifications

Power



Spec.: MS3102A32-17P



Spec.: MS3102A14-7P
(Brake-attached type)

Encoder

Serial type



Spec.: MS3102A20-29P

Power

Pin No.	Signal
A	U
B	V
C	W
D	Ground

Pin No.	Signal
A	BK+
B	BK-
C	NC

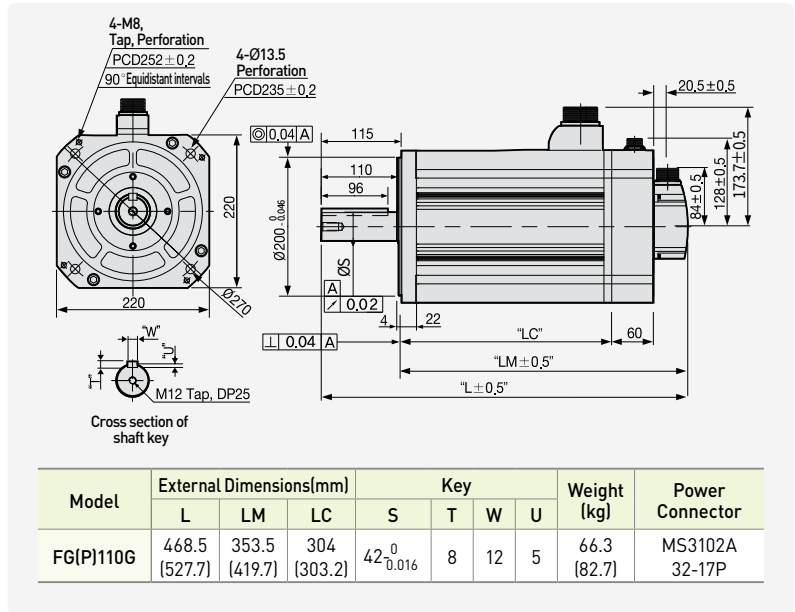
Encoder

Pin No.	Signal	Pin No.	Signal
A	MA	M	-
B	MA	N	-
C	SLO	P	-
D	SLO	R	-
E	-	H	+5V
F	-	G	0V
K	-	J	SHIELD
L	-		

(Single Turn Encoder Connector Pin Table)

Pin No.	Signal	Pin No.	Signal
A	MA	M	-
B	MA	N	-
C	SLO	P	-
D	SLO	R	-
E	VDD_B	H	+5V
F	GND_B	G	0V
K	-	J	SHIELD
L	-		

(Multi Turn Encoder Connector Pin Table)

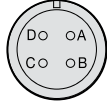


- Note1) Use DC[24V] for brake input power supply.
- Note2) The () is for brake-attached type.
- Note3) For external dimensions for oil-sealed type. Please kindly contact us separately.

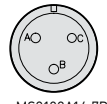
FG(P)150G

Plug Specifications

Power



Spec.: MS3102A32-17P



Spec.: MS3102A14-7P
(Brake-attached type)

Encoder

Serial type



Spec.: MS3102A20-29P

Power

Pin No.	Signal
A	U
B	V
C	W
D	접지선

Pin No.	Signal
A	BK+
B	BK-
C	NC

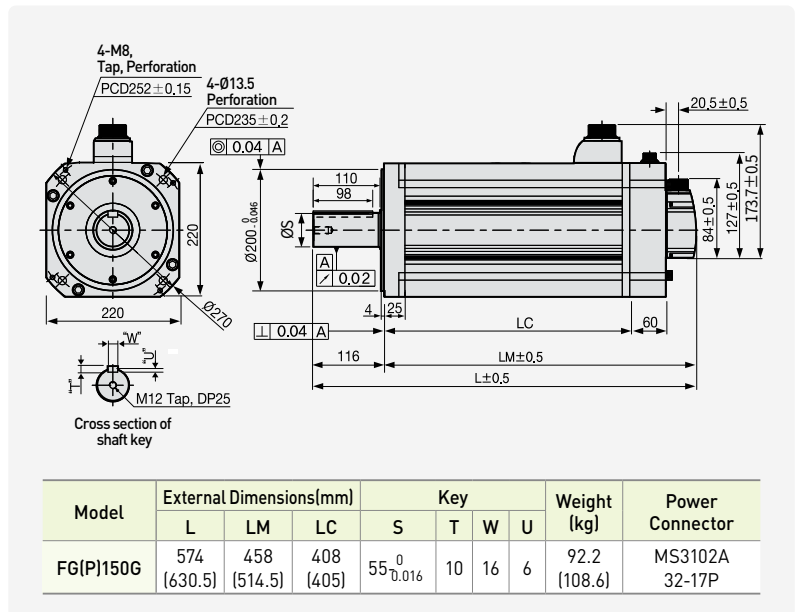
Encoder

Pin No.	Signal	Pin No.	Signal
A	MA	M	-
B	MA	N	-
C	SLO	P	-
D	SLO	R	-
E	-	H	+5V
F	-	G	0V
K	-	J	SHIELD
L	-		

(Single Turn Encoder Connector Pin Table)

Pin No.	Signal	Pin No.	Signal
A	MA	M	-
B	MA	N	-
C	SLO	P	-
D	SLO	R	-
E	VDD_B	H	+5V
F	GND_B	G	0V
K	-	J	SHIELD
L	-		

(Multi Turn Encoder Connector Pin Table)



- Note1) Use DC[24V] for brake input power supply.
- Note2) The () is for brake-attached type.

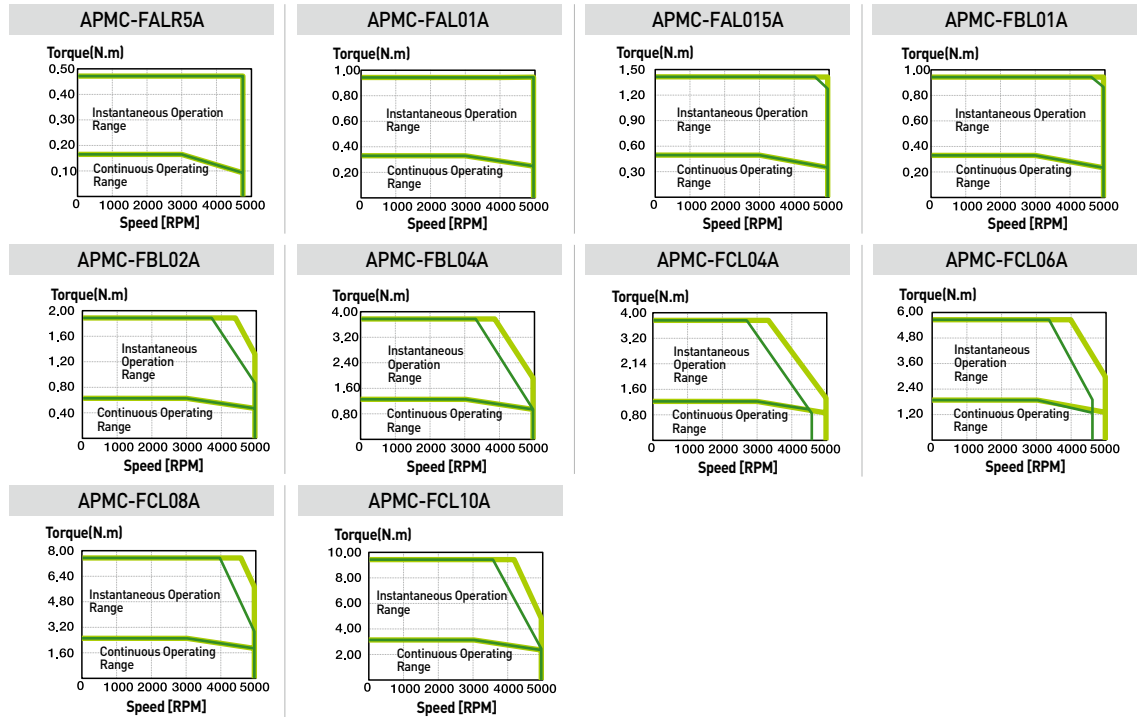
Motor Specifications with Magnetic Absolute Serial Encoder [Rated 3000r/min]

Servo Motor (APMC-□□□□□)	FALR5A	FAL01A	FAL015A ^{Note1)}	FBL01A	FBL02A	FBL04A	FCL04A	FCL06A	FCL08A	FCL10A	
Applicable Drive	L7CA001		L7CA002	L7CA001	L7CA002	L7CA004		L7CA008		L7CA010	
Flange Size(□)	□40			□60			□80				
Rated Output	[kW]	0.05	0.1	0.15	0.1	0.2	0.4	0.4	0.6	0.75	1
Rated Torque	[N·m]	0.16	0.32	0.48	0.32	0.64	1.27	1.27	1.91	2.39	3.18
	[kgf·cm]	1.62	3.25	4.87	3.25	6.49	12.99	12.99	19.49	24.36	32.48
Max. Instantaneous	[N·m]	0.48	0.96	1.43	0.96	1.91	3.82	3.82	5.73	7.16	9.55
	[kgf·cm]	4.87	9.74	14.62	9.74	19.48	38.96	38.98	58.47	73.08	97.44
Rated Current	[A]	0.95	1.25	1.60	0.95	1.45	2.6	2.58	3.81	5.02	5.83
Max. Current	[A]	2.85	3.75	4.80	2.85	4.35	7.8	7.75	11.42	15.07	17.5
Rated Speed	[r/min]	3000									
Max. Speed	[r/min]	5000									
Inertia	[kg·m ² ×10 ⁻⁴]	0.023	0.042	0.063	0.091	0.147	0.248	0.53	0.897	1.264	1.632
	[gf·cm·s ²]	0.024	0.043	0.065	0.093	0.15	0.253	0.541	0.915	1.29	1.665
Allowable Load Inertia Ratio		30 times of motor inertia			20 times of motor inertia			15 times of motor inertia			
Rated Power Rate	[kW/s]	10.55	23.78	36.19	11.09	27.6	27.07	30.6	40.66	45.09	62.08
Speed/Position Detector	Standard	Serial Single - Turn Built - in Type (17bit)									
Specifications & Features	Structure	Fully closed-Self cooling IP67									
	Rated Time	Continuous									
	Ambient Temp	Operating : 0 ~ 40[°C] Storage : -10 ~ 60[°C]									
	Ambient Humidity	Operating : Below 80[%]RH / Storage : Below 90[%]RH[avoid dew-condensation]									
	Atmosphere	Avoid direct sunlight, no corrosive gas, inflammable gas, oil mist, or dust.									
	E/V	Elevation/vibration 49[m/s ²] [5G]									
Weight	[kg]	0.31	0.45	0.61	0.56	0.74	1.06	1.52	2.14	2.68	3.3

Note1) Brake is not applicable for FAL015A

Speed-Torque Characteristics

- 3 Phase AC200V
- 3Phase AC230V

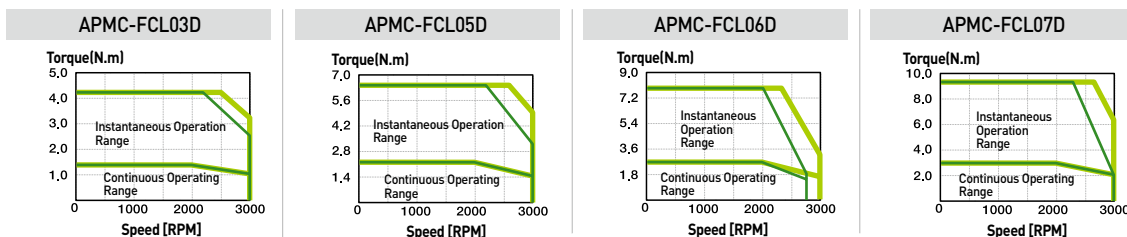


Motor Specifications with Magnetic Absolute Serial Encoder [Rated 2000r/min]

Servo Motor (APMC-□□□□□□)	FCL03D	FCL05D	FCL06D	FCL07D	
Applicable Drive	L7CA004		L7CA008		
Flange Size(□)	□80				
Rated Output	[kW]	0.3	0.45	0.55	0.65
Rated Torque	[N·m]	1.43	2.15	2.63	3.1
	[kgf·cm]	14.62	21.92	26.8	31.67
Max. Instantaneous	[N·m]	4.3	6.45	7.88	9.31
	[kgf·cm]	43.85	65.77	80.39	95.01
Rated Current	[A]	2.5	3.05	3.06	3.83
Max. Current	[A]	7.51	9.16	9.18	11.5
Rated Speed	[r/min]	2000			
Max. Speed	[r/min]	3000			
Inertia	[kg·m ² ×10 ⁻⁴]	0.53	0.897	1.264	1.63
	[gf·cm·s ²]	0.541	0.915	1.29	1.66
Allowable Load Inertia Ratio		15 times of motor inertia			
Rated Power Rate	[kW/s]	38.73	51.47	54.56	59.03
Speed/Position Detector	Standard	Serial Single - Turn Built - in Type (17bit)			
Specifications & Features	Structure	Fully closed-Self cooling IP67			
	Rated Time	Continuous			
	Ambient Temp	Operating : 0 ~ 40[°C] Storage : -10 ~ 60[°C]			
	Ambient Humidity	Operating : Below 80[%]RH / Storage : Below 90[%]RH (avoid dew-condensation)			
	Atmosphere	Avoid direct sunlight, no corrosive gas, inflammable gas, oil mist, or dust.			
	E/V	Elevation/vibration 49[m/s ²] (5G)			
Weight	[kg]	1.26	2.12	2.66	2.78

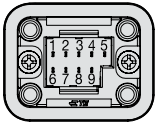
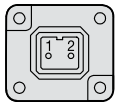
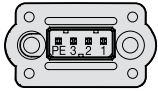
Speed-Torque Characteristics

- 3 Phase AC200V
- 3Phase AC230V



Servo Motor

FAL Series With Magnetic Absolute Serial Encoder



Plug Specifications

Power

Pin No.	Signal
1	U
2	V
3	W
PE	Ground

(Power Connector Pin Table)

Brake

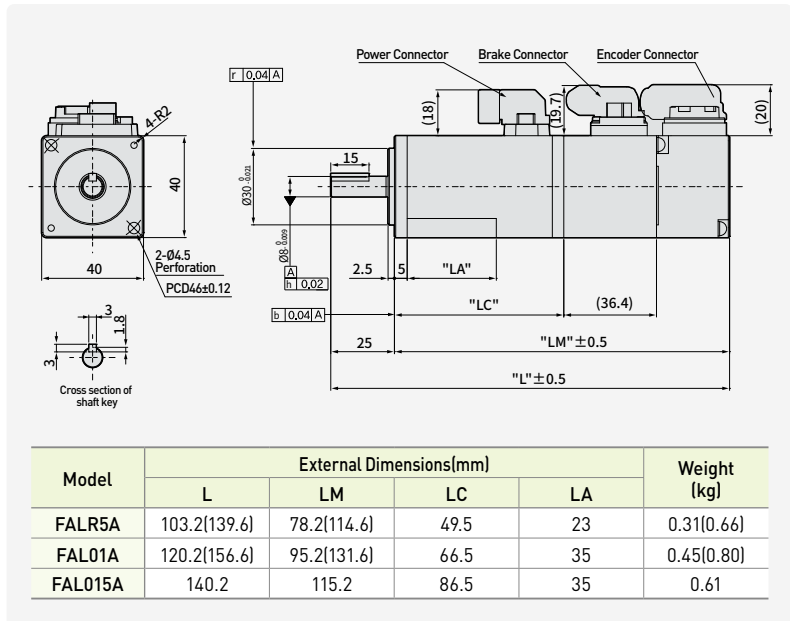
Pin No.	Signal
1	BK+
2	BK-

(Brake Connector Pin Table)

Encoder

Single Turn (N)	
Pin No.	Signal
1	MA
2	SLO
3	-
4	OV
5	SHIELD
6	MA
7	SLO
8	-
9	+5V

(Encoder Connector Pin Table)

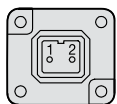
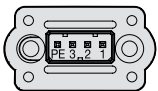


Note1) Use DC(24V) for brake input power supply.

Note2) The () is for brake-attached type.

Note3) For external dimensions for oil-sealed type. Please kindly contact us separately.

FBL Series With Magnetic Absolute Serial Encoder



Plug Specifications

Power

Pin No.	Signal
1	U
2	V
3	W
PE	Ground

(Power Connector Pin Table)

Brake

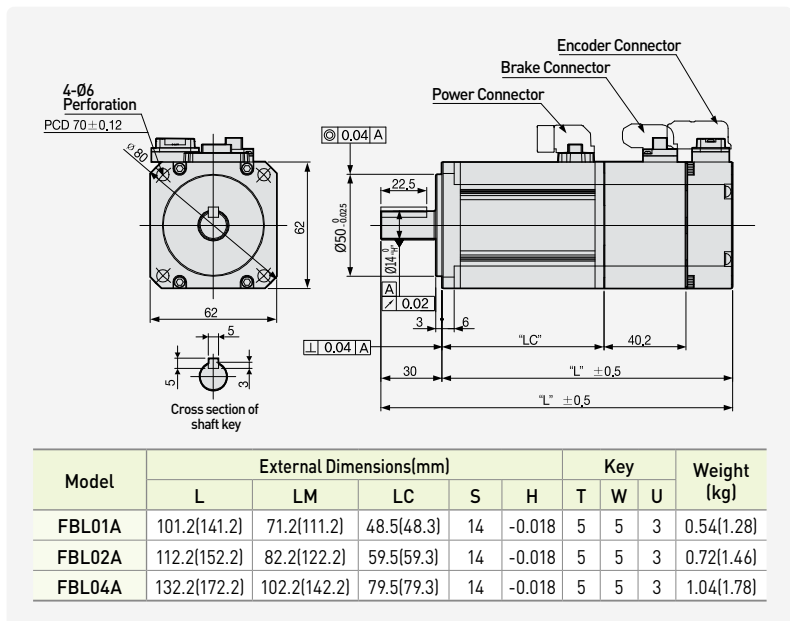
Pin No.	Signal
1	BK+
2	BK-

(Brake Connector Pin Table)

Encoder

Single Turn (N)	
Pin No.	Signal
1	MA
2	SLO
3	-
4	OV
5	SHIELD
6	MA
7	SLO
8	-
9	+5V

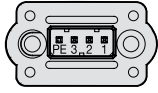
(Encoder Connector Pin Table)



Note1) Use DC(24V) for brake input power supply.

Note2) The () is for brake-attached type.

FCL Series With Magnetic Absolute Serial Encoder

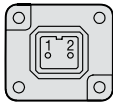


Plug Specifications

Power

Pin No.	Signal
1	U
2	V
3	W
PE	Ground

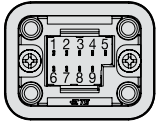
(Power Connector Pin Table)



Brake

Pin No.	Signal
1	BK+
2	BK-

(Brake Connector Pin Table)

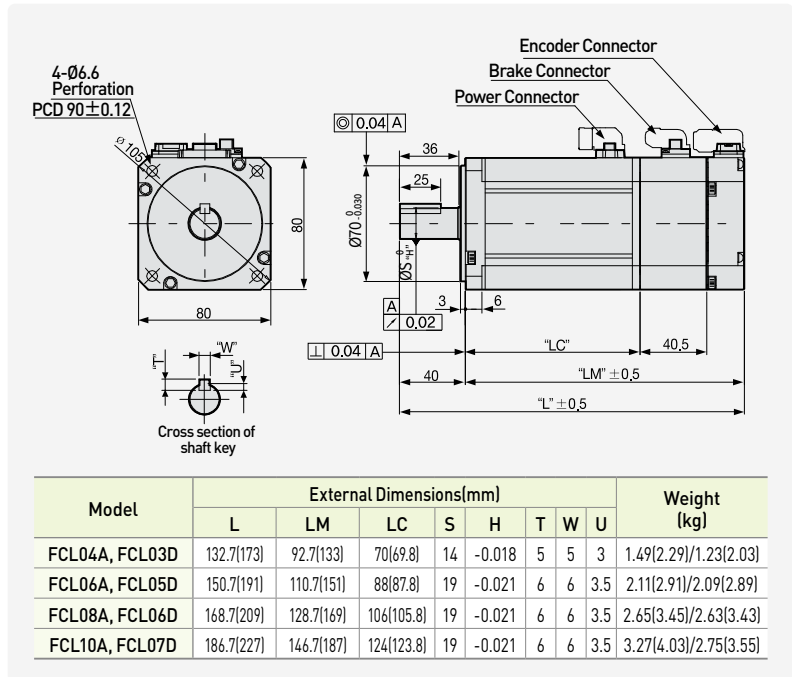


Encoder

Single Turn (N)

Pin No.	Signal
1	MA
2	SLO
3	-
4	OV
5	SHIELD
6	MA
7	SLO
8	-
9	+5V

(Encoder Connector Pin Table)



Note1) Use DC[24V] for brake input power supply.
 Note2) The () is for brake-attached type.

Brake Specification

Motor Series	FAL	FBL	FCL	FE/FEP	FF/FFP	FG/FGP	FG/FGP110G FG/FGP150G
Perpose	Maintenance	Maintenance	Maintenance	Maintenance	Maintenance	Maintenance	Maintenance
Input Voltage [V]	DC 24V	DC 24V	DC 24V	DC 24V	DC 24V	DC 90V	DC 24V
Static Friction Torque[Nm]	0.32	1.47	3.23	10.4	40	74	120
Capacity [W]	6	6.5	9	19.4	25	32	26
CoilResistance [Ω]	96	67	64	29.6	23	257	18
Rated Current [A]	0.25	0.36	0.38	0.81	1.04	0.35	1.33
Insulation Class	F	F	F	F	F	F	F

Note1) All electromagnetic brakes built-in LS servo motors are of the same specification.

Heat Sink Specification

Classification	Standard (mm)	Material
AP04 (□40)	250×250×6	Aluminum
AP06 (□60)	250×250×6	
AP08 (□80)	250×250×12	
AP13 (□130)	350×350×20	
AP18 (□180)	550×550×30	
AP22 (□220)	650×650×35	

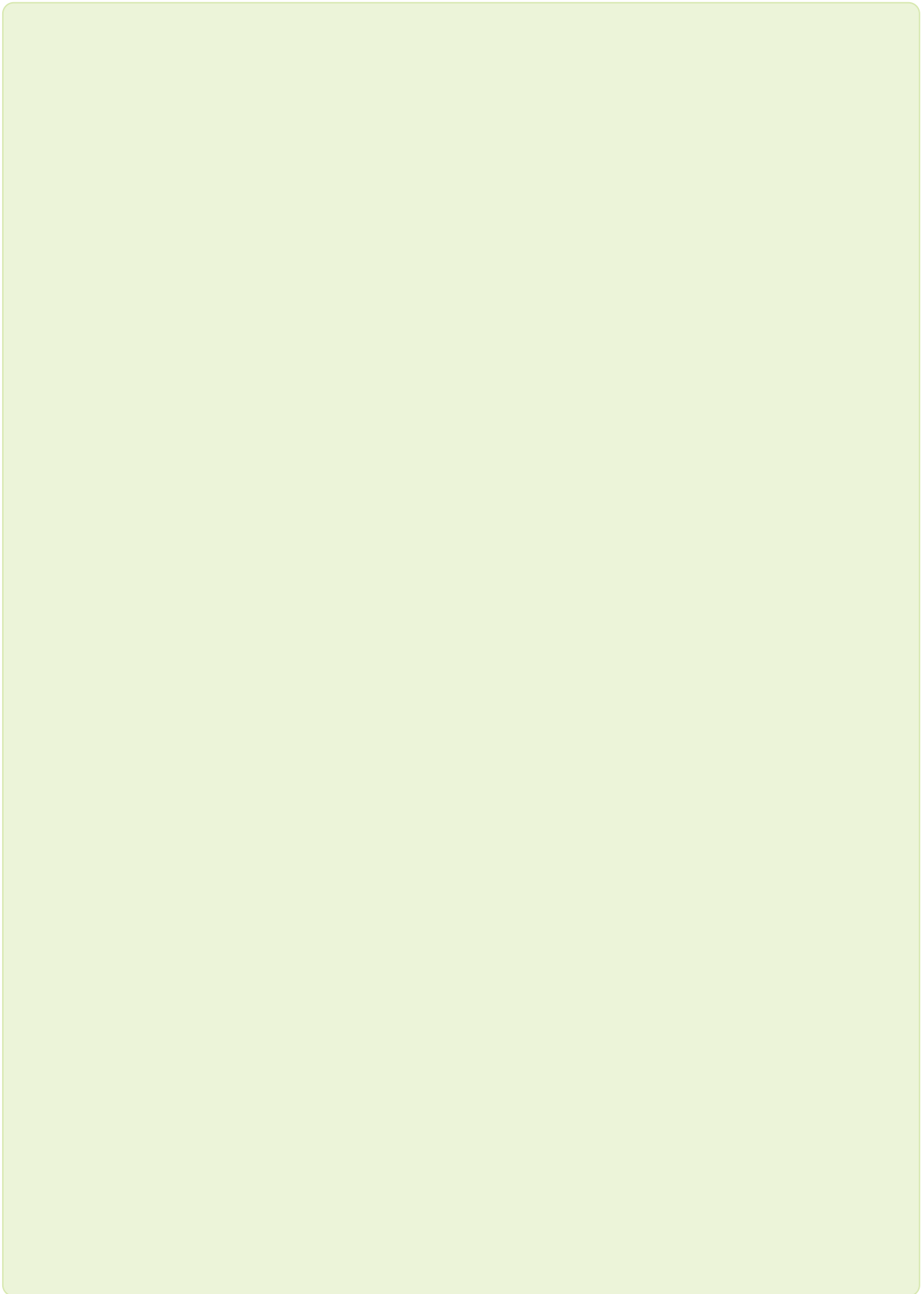
Note1) The data on the product features is measured when those heat sinks were applied.

※ The through shaft part is not covered by the IP rating.

※ When the gearbox is attached, the IP rating of the gearbox part is not guaranteed.

※ In case the cables bend beyond the cable specification, the indicated IP rating may not be satisfied.

※ The protection class is satisfied only when a dedicated cable is used.



DD Motor Designation



Using the Own Technologies to Produce Motors, Drives and Encoders Domestically

Optimized for Low-speed, High-torque and High-precision Operation

- Providing Power connection for the connection of DC-Link Terminal
- Compact Size and Easy Wiring (Compared with 3 phase AC Reactor)
- Providing Connection for DC Input (PI, N)

Reduced Cogging Torque and Optimized Torque Design

- Optimal ratio of the permanent magnet and coil / slot selected through electromagnetic analysis
- Using multiple permanent magnets to reduce torque ripple and to maximize torque
- Using a permanent magnet of high-energy rare earth elements (Nd-Fe-B)

Using the High-performance Rotary Optical Encoder That Adopts the Biss Protocol

- Resolution of 1,048,576 CPR (20bit Single turn)
- Using our own encoder technology to reduce the cost and shorten the delivery time

Compatible With Our L7 Series AC Servo Drive (3Phase AC 220V)

- Both standard I/O type (serial communication supported) and network type (EtherCAT) applicable

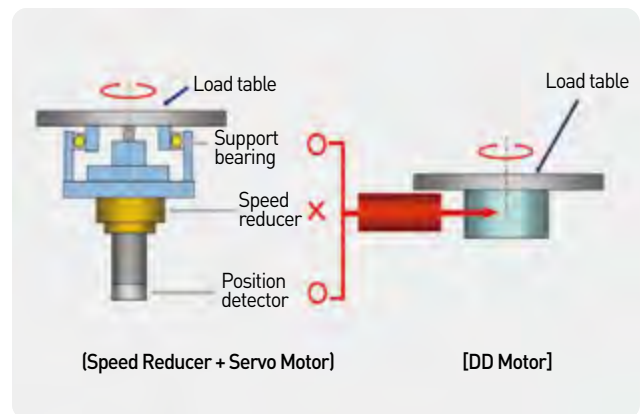
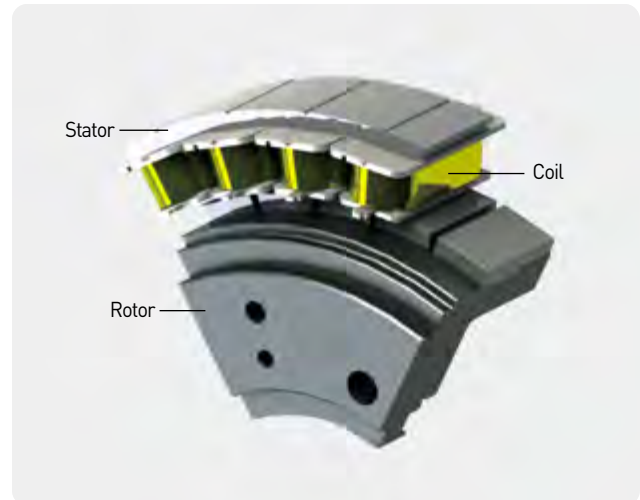
Direct Drive Structure

- No backlash impact
- High-precision operation and shortened installation time
- Smooth rotary motion
- Reduced noise

Hollow Type That is Efficient for Wiring and Piping

A Wide Range of Products

- Rated output: 63W-25kW
- Rated torque: 3.0N.m-160N.m (The instantaneous maximum torque should be 3 times the rated torque)
- Rated speed: 150RPM-200RPM
- Frame diameter: 135mm,175mm,230mm,290mm, and 360mm (13 Models)



DD Motor Specifications

Ratings and Specifications

- Insulation class : Class B
- Protection class: IP 40
- Cooling type : Fully enclosed self-cooling
- Vibration class : V15
- Insulation resistance : 500 VDC, 10[MΩ] or higher
- Insulation internal voltage: 1800 VAC, 1 second
- Operating voltage: 200 VAC
- Operating temperature: 0 - 40[°C] / Storage temperature: -10~60[°C]
- Ambient humidity: 20 - 80% RH (no condensation)
- Installation location: Place with no toxic substances, such as corrosive and combustible gasses, cutting oil, metal dust, grease or direct sunlight

Line-up Table

Rated Torque[Nm]		3	6	9	12	18	22	34	40	60	110	160	330
Maximum Torque[Nm]		9	18	27	36	54	66	102	120	180	330	480	1000
Rated Speed 200[rpm]	Maximum Speed 500[rpm]	Ø135	DB03D DB06D DB09D 										
		Ø175	DC06D 		DC12D 								
		Ø230			DD12D 								
	Maximum Speed 400[rpm]	Ø175				DC18D 							
		Ø230				DD22D DD34D 							
	Maximum Speed 300[rpm]	Ø290						DE40D DE60D 					
	Rated Speed 150[rpm]	Maximum Speed 250[rpm]	Ø360						DFA1G DFA6G 				
Rated Speed 50[rpm]	Maximum Speed 100[rpm]	Ø380										DGC3S 	

Drive Combination Table

MDM Serial Type

Rated Speed (RPM)	Maximum Speed (RPM)	External Diameter of Motor(Ø)	Motor	Drive	Standard Encoders	Encoders Cable (Serial)	Power Cable (Power)		
200	500	135	DB03D	L7□A001□	* 20Bit Serial	APCS-E□□□ZS	APCS-PN□□YS		
			DB06D	L7□A002□					
			DB09D	L7□A004□					
		175	DC06D	L7□A002□					
			DC12D	L7□A004□					
			DC18D	L7□A008□					
	400	230	DD12D	L7□A004□					
			DD22D	L7□A008□					
	500	290	DD34D	L7□A010□					
			DE40D	L7□A010□					
	150	250	360	DFA1G				L7□A020□	APCS-PN□□ZS
				DFA6G				L7□A035□	
50	100	380	DGC3S	L7□A020□					

* : Single-turn Abs. Biss interface

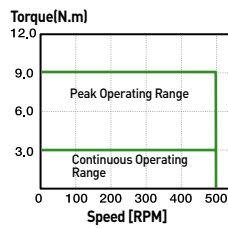
Motor Shape



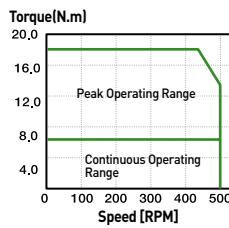
Motor Designation		MDM-DB□□□□□H-I			MDM-DC□□□□□H-I		
		03	06	09	06	12	18
Applicable Drive		L7□A001□	L7□A002□	L7□A004□	L7□A002□	L7□A004□	L7□A008□
Flange Size	mm	Ø135			Ø175		
Rated Output	W	63	126	188	126	251	377
Rated Torque	N-m	3	6	9	6	12	18
Max Torque	N-m	9	18	27	18	36	54
Rated Current	Arms	1.12	1.46	2.63	1.48	2.41	3.0
Max Current	Arms	3.36	4.38	7.89	4.44	7.23	9.0
Rated Speed	rpm	200			200		
Max Speed	rpm	500	500	500	500	500	400
Constant of Torque	N-m/Arms	2.76	4.25	3.57	4.18	5.13	6.12
Inertia	kg·m ² ×10 ⁻⁴	11.56	18.42	26.02	45.83	70.37	94.91
Allowable Load Inertia Ratio		30 times of motor inertia			15 times of motor inertia		
Power Rate	kW/S	15.68	42.35	70.43	13.18	52.71	118.59
Angular Acceleration	rad/s ²	191.2	141.6	127.7	455.03	323.9	280.3
Positioning Accuracy	arc-sec	±30					
Positioning Repeatability	arc-sec	±1.3					
Axial run-out	mm	0.015					
Radial run-out	mm	0.03					
Allowable Thrust Load	N	1500			3300		
Max. Instantaneous	N-m	40			70		
Encoder Type		20-bit single turn serial encoder (Biss/Absolute)					
Weight(Approx.)	kg	6.3	7.2	9.2	8.7	10.6	12.6
Working Environment	Ambient Temp	Ambient temperature: 0~40[] / storage : -20~60[]					
	Ambient Humidity	20~80[%] RH(Avoid dew-condensation)					
	Atmosphere	Avoid direct sunlight, No corrosive gas, Inflammable gas, Oil mist, or Dust					

Speed-Torque Characteristics

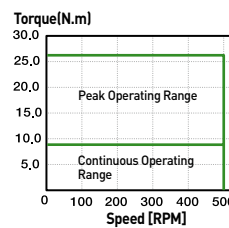
MDM-DB03D



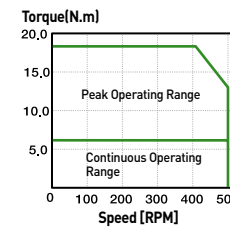
MDM-DB06D



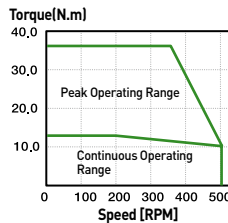
MDM-DB09D



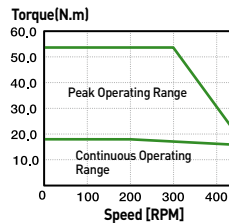
MDM-DC06D



MDM-DC12D



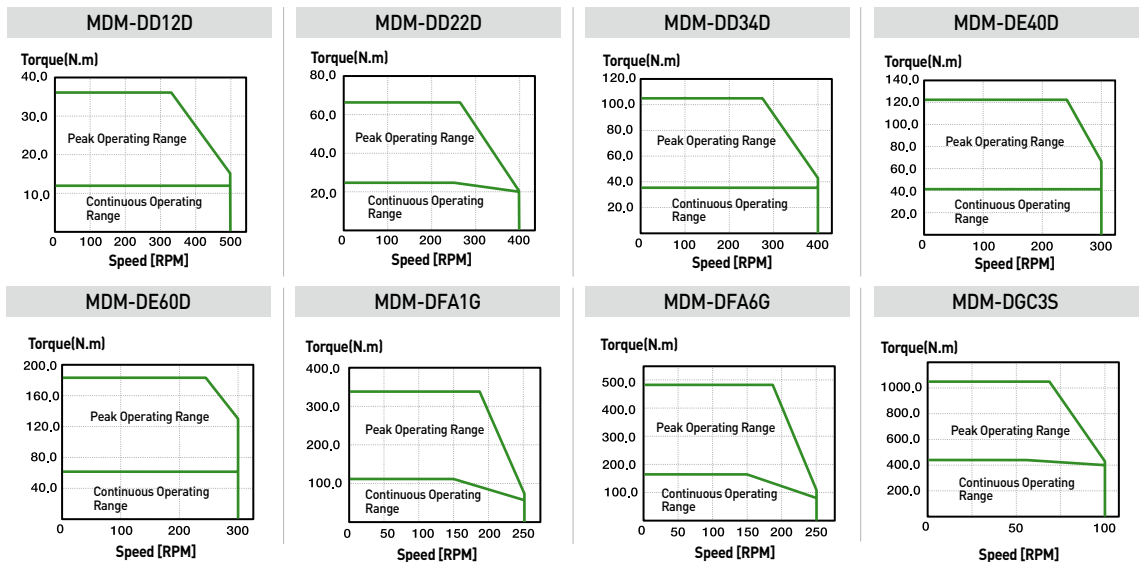
MDM-DC18D



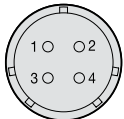
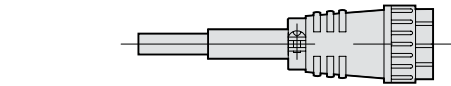
Motor Designation		MDM-DD□□D□□H-I			MDM-DE□□D□□H-I		MDM-DF□□G□□H-I		MDM-DG□□G□□H-I
		12	22	34	40	60	A1	A6	C3
Applicable Drive		L7□A004□	L7□A008□	L7□A010□	L7□A010□	L7□A020□	L7□A020□	L7□A035□	L7□A020□
Flange Size	mm	Ø230			Ø290		Ø360		Ø380
Rated Output	W	251	461	712	838	1,257	1,728	2,513	1,728
Rated Torque	N-m	12	22	34	40	60	110	160	330
Max Torque	N-m	36	66	102	120	180	330	480	1,000
Rated Current	Arms	2.58	3.33	5.72	5.3	8.33	9.48	14.6	12.0
Max Current	Arms	7.74	9.99	17.16	15.9	24.99	28.44	43.8	36.0
Rated Speed	rpm	200			200		150		50
Max Speed	rpm	500	400	400	300	300	250	250	100
Constant of Torque	N-m/Arms	4.8	6.81	6.13	7.77	7.42	11.95	11.29	28.59
Inertia	kg-m ² X10 ⁻⁴	94.70	141.10	190.70	427.2	587.9	2507.0	3457.0	6449.0
Allowable Load Inertia Ratio		15 times of motor inertia			3 times of motor inertia				
Power Rate	kW/S	26.6	71.02	140.7	51.36	96.68	85.9	145.4	169.1
Angular Acceleration	rad/s ²	450.9	309.6	241.5	778.35	619.1	1281.13	1101.4	1952.9
Positioning Accuracy	arc-sec	±30							
Positioning Repeatability	arc-sec	±1.3							
Axial run-out	mm	0.015							
Radial run-out	mm	0.03							
Allowable Thrust Load	N	4,000			11,000		15,000		21,000
Max. Instantaneous	N-m	93			250		350		450
Encoder Type		20-bit single turn serial encoder (Biss/Absolute)							
Weight(Approx.)	kg	17.3	19.6	21.9	28.2	35	54	70.3	162
Working Environment	Ambient Temp	Ambient temperature: 0~40[] / storage : -20~60[]							
	Ambient Humidity	20~80[%] RH(Avoid dew-condensation)							
	Atmosphere	Avoid direct sunlight, No corrosive gas, Inflammable gas, Oil mist, or Dust							

Servo Motor

Speed-Torque Characteristics



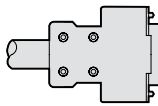
MDM-DB03D, MDM-DB06D, MDM-DB09D



NJC-24-4-PM

Contents		Pin No.
LEAD WIRE	U	1
	V	2
	W	3
Ground		4

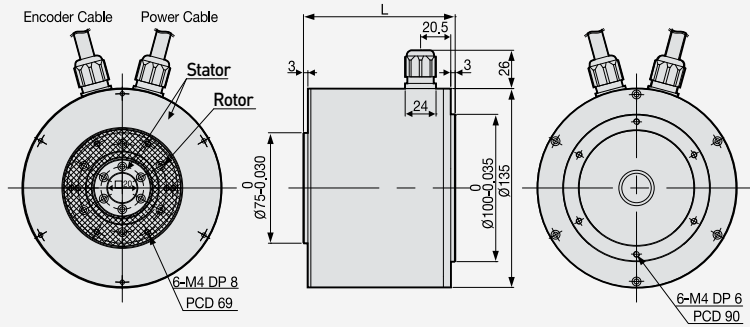
(Power Connector Pin Table)



D-Sub Connector (15pin)

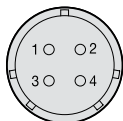
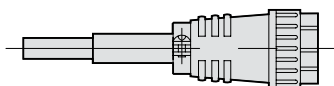
D.D SERVO ENCODER CABLE			
NO.	Encoder Signal	NO.	Encoder Signal
1	MA	9	+5V
2	SLO	10	-
3	-	11	-
4	OV	12	-
5	SHIELD	13	-
6	MA	14	-
7	SLO	15	-
8	-	-	-

(Encoder Connector Pin Table)



Model	External Dimensions(mm)	Weight (kg)
	L	
MDM-DB03D	78	6.3
MDM-DB06D	100	7.2
MDM-DB09D	124	9.2

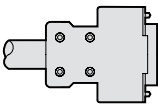
MDM-DC06D, MDM-DC12D, MDM-DC18D



NJC-24-4-PM

Contents		Pin No.
LEAD WIRE	U	1
	V	2
	W	3
Ground		4

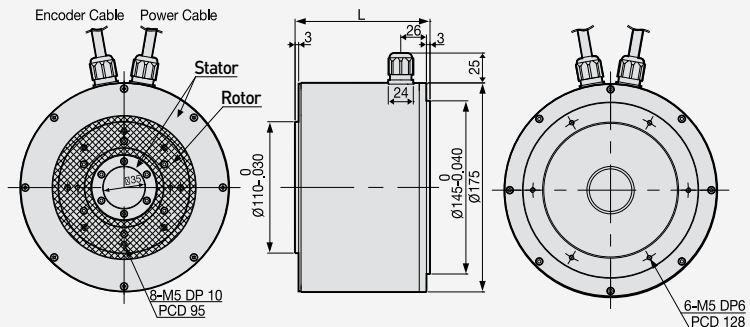
(Power Connector Pin Table)



D-Sub Connector (15pin)

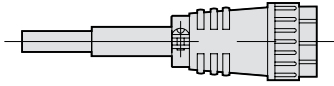
D.D SERVO ENCODER CABLE			
NO.	Encoder Signal	NO.	Encoder Signal
1	MA	9	+5V
2	SLO	10	-
3	-	11	-
4	OV	12	-
5	SHIELD	13	-
6	MA	14	-
7	SLO	15	-
8	-	-	-

(Encoder Connector Pin Table)



Model	External Dimensions(mm)	Weight (kg)
	L	
MDM-DC06D	77	8.7
MDM-DC12D	95	10.6
MDM-DC18D	113	12.6

**MDM-DD12D, MDM-DD22D,
MDM-DD34D**



NJC-24-4-PM

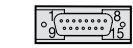
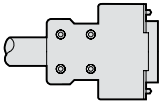
Contents		Pin No.
LEAD WIRE	U	1
	V	2
	W	3
Ground		4

[Power Connector Pin Table]

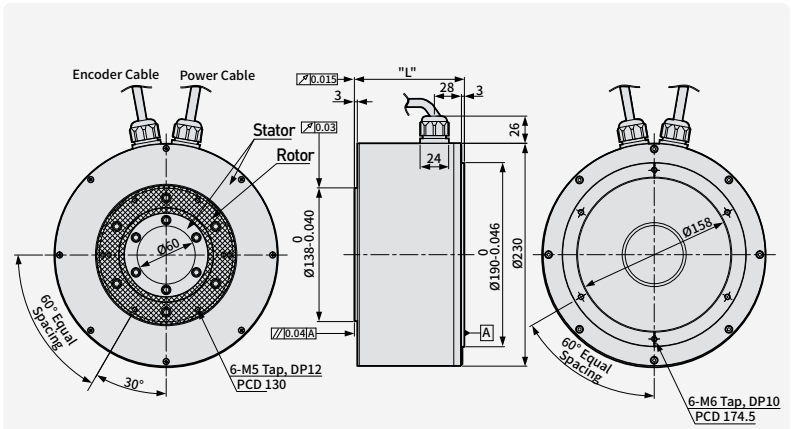
D.D SERVO ENCODER CABLE

NO.	Encoder Signal	NO.	Encoder Signal
1	MA	9	+5V
2	SLO	10	-
3	-	11	-
4	OV	12	-
5	SHIELD	13	-
6	MA	14	-
7	SLO	15	-
8	-		

[Encoder Connector Pin Table]

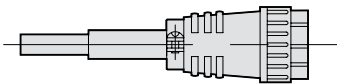


D-Sub Connector (15pin)



Model	External Dimensions(mm)		Weight (kg)
	L		
MDM-DD12D	82.5		17.3
MDM-DD22D	100.5		19.6
MDM-DD34D	118.5		21.9

MDM-DE40D, MDM-DE60D



NJC-24-4-PM

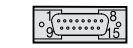
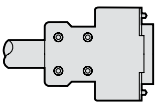
Contents		Pin No.
LEAD WIRE	U	1
	V	2
	W	3
Ground		4

[Power Connector Pin Table]

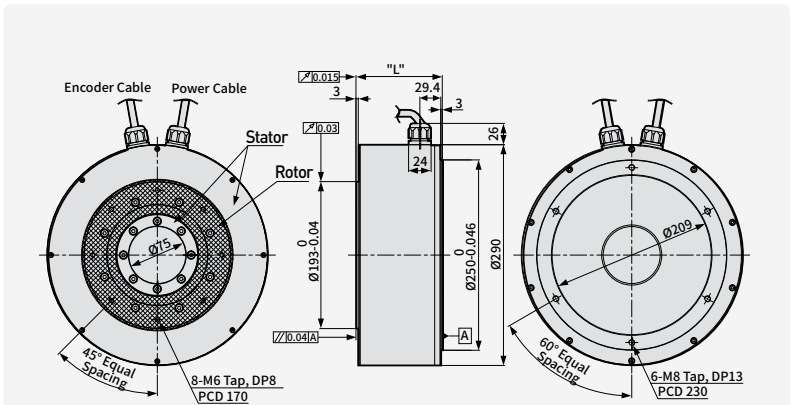
D.D SERVO ENCODER CABLE

NO.	Encoder Signal	NO.	Encoder Signal
1	MA	9	+5V
2	SLO	10	-
3	-	11	-
4	OV	12	-
5	SHIELD	13	-
6	MA	14	-
7	SLO	15	-
8	-		

[Encoder Connector Pin Table]




D-Sub Connector (15pin)



Model	External Dimensions(mm)		Weight (kg)
	L		
MDM-DE40D	95.4		28.2
MDM-DE60D	113.4		35

MDM-DFA1G, MDM-DFA6G



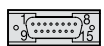
NJC-24-4-PM

Contents	Pin No.
LEAD U	1
WIRE V	2
W	3
Ground	4

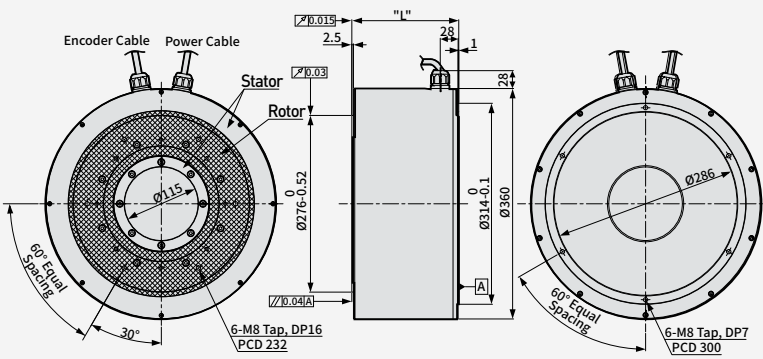
[Power Connector Pin Table]

D.D SERVO ENCODER CABLE			
NO.	Encoder Signal	NO.	Encoder Signal
1	MA	9	+5V
2	SLO	10	-
3	-	11	-
4	OV	12	-
5	SHIELD	13	-
6	MA	14	-
7	SLO	15	-
8	-		

[Encoder Connector Pin Table]




D-Sub Connector (15pin)



Encoder Cable Power Cable Stator Rotor 60° Equal Spacing 30° 6-M8 Tap, DP16 PCD 232 6-M8 Tap, DP7 PCD 300

Model	External Dimensions(mm)		Weight (kg)
	L		
MDM-DFA1G	131		54
MDM-DFA6G	167		70.3

MDM-DGC3SNOH



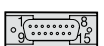
NJC-24-4-PM

Contents	Pin No.
LEAD U	1
WIRE V	2
W	3
Ground	4

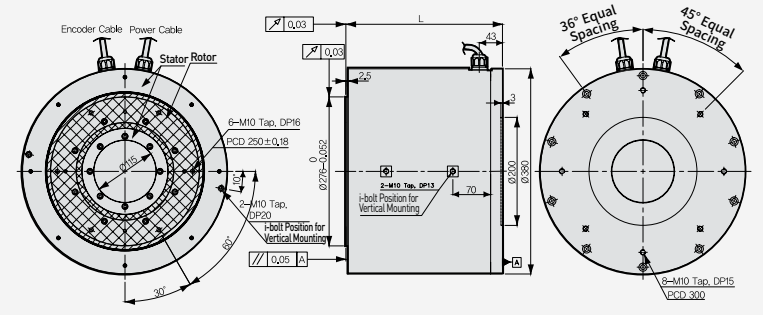
[Power Connector Pin Table]

D.D SERVO ENCODER CABLE			
NO.	Encoder Signal	NO.	Encoder Signal
1	MA	9	+5V
2	SLO	10	-
3	-	11	-
4	OV	12	-
5	SHIELD	13	-
6	MA	14	-
7	SLO	15	-
8	-		

[Encoder Connector Pin Table]



D-Sub Connector (15pin)



Encoder Cable Power Cable Stator Rotor 6-M10 Tap, DP16 PCD 250±0.18 2-M10 Tap, DP20 36° Equal Spacing 45° Equal Spacing 3-M10 Tap, DP15 PCD 300

Model	External Dimensions(mm)		Weight (kg)
	L		
MDM-DGC3SNOH	290		162

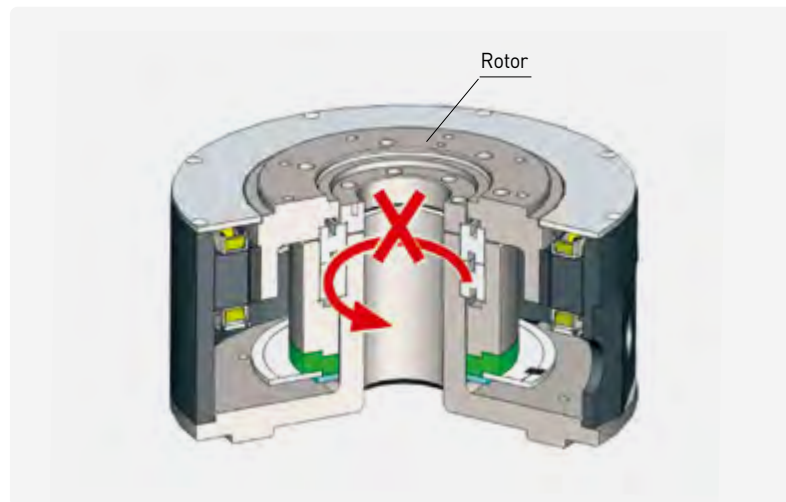
Troubleshooting

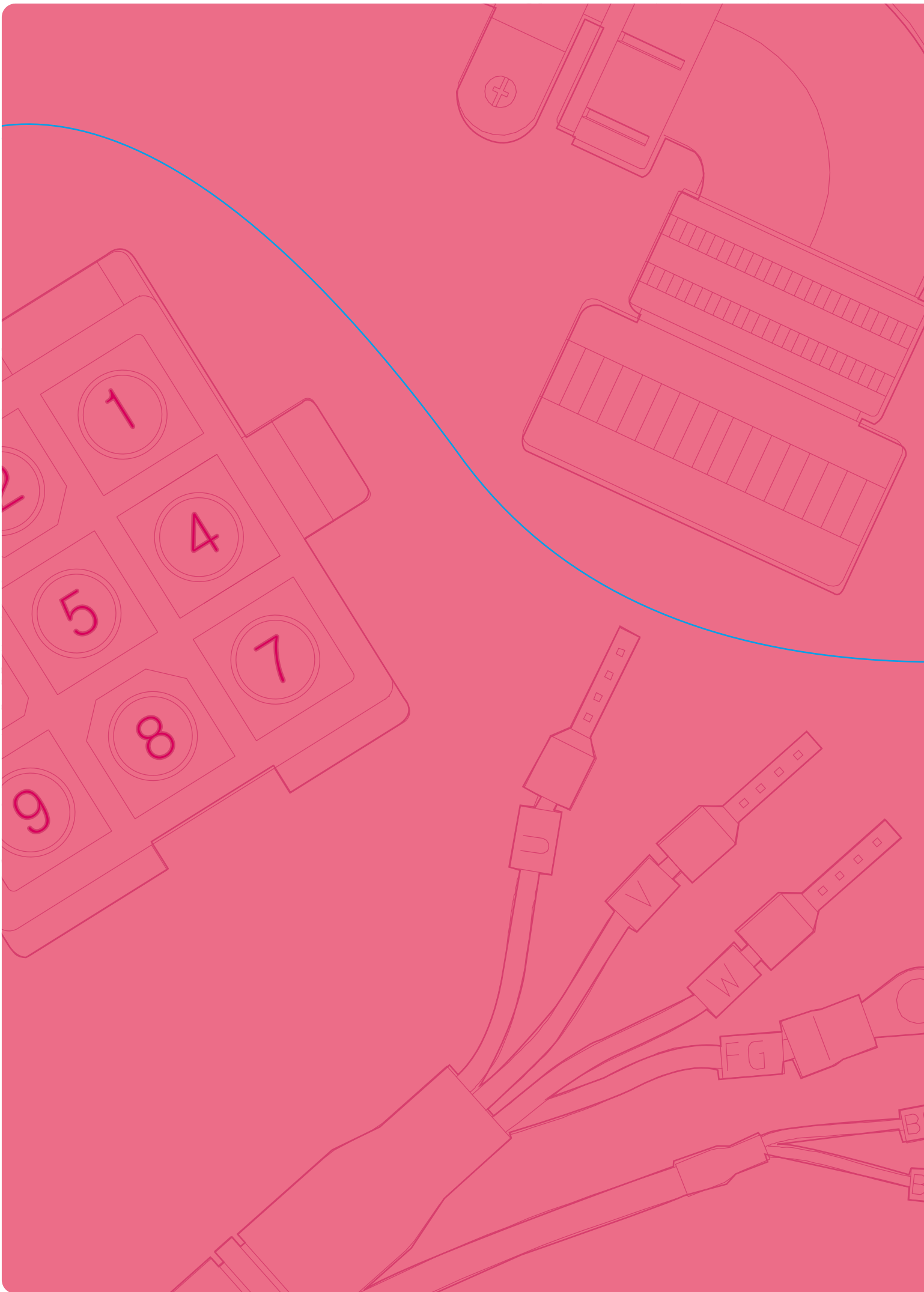
If an overcurrent alarm occurs

- Please check if the drive output and the encoder are wired properly.
- Please check for equipment collision or restraint.

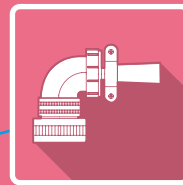
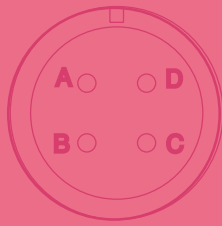
High performance

- Please inspect the input voltage and load condition.
- Please check if the drive output and the encoder are wired properly.
- Please check for equipment collision or restraint.





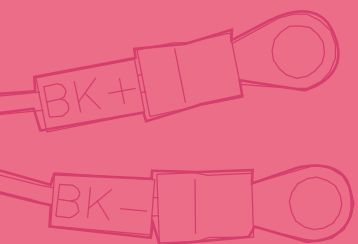
A
B



Options and Accessories

Contents

Designation	108
Signal Cable	108
Power Cable	112
DD Motor Signal Cable	121
Connector Pin Map	125
Option Connector	126
200V Braking Resistor	127
400V Braking Resistor	128
Noise Filter	129



Designation

APCS - **E** **N** **03** **□□** - **R**

- APCS**:- iX7NH Series / L7 Series 200V
APCF:- L7 Series 400V
APC:- L7 Series
APCV:- PHOX Series
- E**: Encoder Cable
P: Power Cable
B: Brake Cable
- N**: Non-Moving Type
F: Moving Type
- 01** : 1m
02 : 2m
03 : 3m
...
18 : 18m
19 : 19m
20 : 20m
- Motor Spec.**
- R**: None: Connector Load Direction
-R: Connector Reverse Load Direction

※ 01 ~ 20: 1m ~ 20m Cable Length Provided, Cable Length Selection in 1m Increments

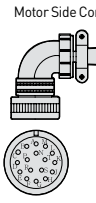
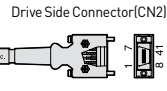
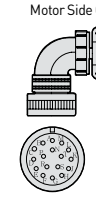
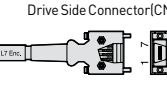
Signal Cable

Type	Product Type	Model Name <small>Note1</small>	Applicable Drive <small>Note2</small>	Applicable Motor	Specifications																																																																								
For Signal	H Series Cable (Small Capacity)	APCS-E □□□AS	L7SA□□□A L7NHA□□□U L7PA□□□U L7NH□□□U	All Models of HB Series	<table border="1"> <thead> <tr> <th>PIN No.</th> <th>Encoder Signal</th> <th>PIN No.</th> <th>Encoder Signal</th> <th>PIN No.</th> <th>Encoder Signal</th> <th>PIN No.</th> <th>Encoder Signal</th> </tr> </thead> <tbody> <tr> <td>A</td> <td>A</td> <td>M</td> <td>V</td> <td>1</td> <td>W</td> <td>8</td> <td>Z̄</td> </tr> <tr> <td>B</td> <td>Ā</td> <td>N</td> <td>V̄</td> <td>2</td> <td>W̄</td> <td>9</td> <td>Z</td> </tr> <tr> <td>C</td> <td>B</td> <td>P</td> <td>W</td> <td>3</td> <td>V</td> <td>10</td> <td>B̄</td> </tr> <tr> <td>D</td> <td>B̄</td> <td>R</td> <td>W̄</td> <td>4</td> <td>V̄</td> <td>11</td> <td>B</td> </tr> <tr> <td>E</td> <td>Z</td> <td>H</td> <td>+5V</td> <td>5</td> <td>U</td> <td>12</td> <td>Ā</td> </tr> <tr> <td>F</td> <td>Z̄</td> <td>G</td> <td>0V</td> <td>6</td> <td>Ū</td> <td>13</td> <td>A</td> </tr> <tr> <td>K</td> <td>U</td> <td>J</td> <td>SHIELD</td> <td>7</td> <td>OV</td> <td>14</td> <td>+5V</td> </tr> <tr> <td>L</td> <td>Ū</td> <td></td> <td></td> <td colspan="2">PLATE</td> <td colspan="2">SHIELD</td> </tr> </tbody> </table> <p>1. Motor Side Connector • Cap Spec. (15 Position): 172163-1(AMP) • Socket Spec. : 170361-1(AMP)</p> <p>2. Driver Side Connector (CN2) • Case Spec. : 10314-52A0-008(3M) or SM-14J(Suntone) • Connector Spec. : 10114-3000VE(3M) or SM-14J(Suntone)</p> <p>3. Cable Spec. : 7P×0.25Q or 7P×AWG24</p>	PIN No.	Encoder Signal	PIN No.	Encoder Signal	PIN No.	Encoder Signal	PIN No.	Encoder Signal	A	A	M	V	1	W	8	Z̄	B	Ā	N	V̄	2	W̄	9	Z	C	B	P	W	3	V	10	B̄	D	B̄	R	W̄	4	V̄	11	B	E	Z	H	+5V	5	U	12	Ā	F	Z̄	G	0V	6	Ū	13	A	K	U	J	SHIELD	7	OV	14	+5V	L	Ū			PLATE		SHIELD	
PIN No.	Encoder Signal	PIN No.	Encoder Signal	PIN No.	Encoder Signal	PIN No.	Encoder Signal																																																																						
A	A	M	V	1	W	8	Z̄																																																																						
B	Ā	N	V̄	2	W̄	9	Z																																																																						
C	B	P	W	3	V	10	B̄																																																																						
D	B̄	R	W̄	4	V̄	11	B																																																																						
E	Z	H	+5V	5	U	12	Ā																																																																						
F	Z̄	G	0V	6	Ū	13	A																																																																						
K	U	J	SHIELD	7	OV	14	+5V																																																																						
L	Ū			PLATE		SHIELD																																																																							

Note1 □□□ of Model Name indicates the kind and length of cable. And the declaration is as below.

Cable Length(m)	1	2	3	...	18	19	20
General Cable	N01	N02	N03	...	N18	N19	N20
Robotic Cable	F01	F02	F03	...	F18	F19	F20

Note2 □□□ of model name indicates the capacity of drive. And the declaration is as page 16 / 22 / 32 / 38 / 48 / 52 / 60 / 66page

Type	Product Type	Model Name <small>Note1</small>	Applicable Drive <small>Note2</small>	Applicable Motor	Specifications																																																																																
For Signal	H Series Cable (Middle Capacity)	APCS-E□□□BS	L7SA□□□A L7NHA□□□U L7PA□□□U L7NHF□□□U	All Models of HE Series	<div style="display: flex; justify-content: space-around;"> <div style="text-align: center;">  <p>Motor Side Connector</p> </div> <div style="text-align: center;">  <p>Drive Side Connector (CN2)</p> </div> </div> <table border="1" style="width: 100%; border-collapse: collapse; text-align: center;"> <thead> <tr> <th>PIN No.</th><th>Encoder Signal</th><th>PIN No.</th><th>Encoder Signal</th><th>PIN No.</th><th>Encoder Signal</th><th>PIN번호</th><th>Encoder Signal</th></tr> </thead> <tbody> <tr><td>A</td><td>A</td><td>M</td><td>V</td><td>1</td><td>W</td><td>8</td><td>Z̄</td></tr> <tr><td>B</td><td>A</td><td>N</td><td>V</td><td>2</td><td>W</td><td>9</td><td>Z</td></tr> <tr><td>C</td><td>B</td><td>P</td><td>W</td><td>3</td><td>V</td><td>10</td><td>B̄</td></tr> <tr><td>D</td><td>B̄</td><td>R</td><td>W</td><td>4</td><td>V̄</td><td>11</td><td>B</td></tr> <tr><td>E</td><td>Z</td><td>H</td><td>+5V</td><td>5</td><td>U</td><td>12</td><td>Ā</td></tr> <tr><td>F</td><td>Z̄</td><td>G</td><td>0V</td><td>6</td><td>U</td><td>13</td><td>A</td></tr> <tr><td>K</td><td>U</td><td>J</td><td>SHIELD</td><td>7</td><td>OV</td><td>14</td><td>+5V</td></tr> <tr><td>L</td><td>Ū</td><td></td><td></td><td></td><td></td><td></td><td></td></tr> <tr><td></td><td></td><td></td><td></td><td></td><td></td><td>PLATE</td><td>SHIELD</td></tr> </tbody> </table> <p>[Motor Side Connector] [Driver Side Connector]</p> <ol style="list-style-type: none"> Motor Side Connector (MS : Military Standard) <ul style="list-style-type: none"> Plug Spec.: MS3108A20-29S Driver Side Connector (CN2) <ul style="list-style-type: none"> Case Spec.: 10314-52A0-008(3M) or SM-14J(Suntone) Connector Spec.: 10114-3000VE(3M) or SM-14J(Suntone) Cable Spec. : 7P×0.25Q or 7P×AWG24 	PIN No.	Encoder Signal	PIN No.	Encoder Signal	PIN No.	Encoder Signal	PIN번호	Encoder Signal	A	A	M	V	1	W	8	Z̄	B	A	N	V	2	W	9	Z	C	B	P	W	3	V	10	B̄	D	B̄	R	W	4	V̄	11	B	E	Z	H	+5V	5	U	12	Ā	F	Z̄	G	0V	6	U	13	A	K	U	J	SHIELD	7	OV	14	+5V	L	Ū													PLATE	SHIELD
PIN No.	Encoder Signal	PIN No.	Encoder Signal	PIN No.	Encoder Signal	PIN번호	Encoder Signal																																																																														
A	A	M	V	1	W	8	Z̄																																																																														
B	A	N	V	2	W	9	Z																																																																														
C	B	P	W	3	V	10	B̄																																																																														
D	B̄	R	W	4	V̄	11	B																																																																														
E	Z	H	+5V	5	U	12	Ā																																																																														
F	Z̄	G	0V	6	U	13	A																																																																														
K	U	J	SHIELD	7	OV	14	+5V																																																																														
L	Ū																																																																																				
						PLATE	SHIELD																																																																														
For Signal	F Series Motor S-turn Encoder Cable (Middle Capacity)	APCS-E□□□DS	L7S□□□B L7NH□□□□U L7PA□□□U L7NHF□□□U L7CA□□□U	All Models of FE/FEP FF/FFP FG/FGP Series	<div style="display: flex; justify-content: space-around;"> <div style="text-align: center;">  <p>Motor Side Connector</p> </div> <div style="text-align: center;">  <p>Drive Side Connector (CN2)</p> </div> </div> <table border="1" style="width: 100%; border-collapse: collapse; text-align: center;"> <thead> <tr> <th>PIN No.</th><th>Encoder Signal</th><th>PIN No.</th><th>Encoder Signal</th><th>PIN No.</th><th>Encoder Signal</th><th>PIN No.</th><th>Encoder Signal</th></tr> </thead> <tbody> <tr><td>A</td><td>MA</td><td>M</td><td>-</td><td>1</td><td>-</td><td>8</td><td>-</td></tr> <tr><td>B</td><td>MA</td><td>N</td><td>-</td><td>2</td><td>-</td><td>9</td><td>-</td></tr> <tr><td>C</td><td>SLO</td><td>P</td><td>-</td><td>3</td><td>MA</td><td>10</td><td>-</td></tr> <tr><td>D</td><td>SLO</td><td>R</td><td>-</td><td>4</td><td>MA</td><td>11</td><td>-</td></tr> <tr><td>E</td><td>-</td><td>H</td><td>+5V</td><td>5</td><td>SLO</td><td>12</td><td>-</td></tr> <tr><td>F</td><td>-</td><td>G</td><td>0V</td><td>6</td><td>SLO</td><td>13</td><td>-</td></tr> <tr><td>K</td><td>-</td><td>J</td><td>SHIELD</td><td>7</td><td>OV</td><td>14</td><td>+5V</td></tr> <tr><td>L</td><td>-</td><td></td><td></td><td></td><td></td><td></td><td></td></tr> <tr><td></td><td></td><td></td><td></td><td></td><td></td><td>PLATE</td><td>SHIELD</td></tr> </tbody> </table> <p>[Motor Side Connector] [Driver Side Connector]</p> <ol style="list-style-type: none"> Motor Side Connector (MS : Military Standard) <ul style="list-style-type: none"> Plug Spec.: MS3108A20-29S Driver Side Connector (CN2) <ul style="list-style-type: none"> Case Spec.: 10314-52A0-008(3M) or SM-14J(Suntone) Connector Spec.: 10114-3000VE(3M) or SM-14J(Suntone) Cable Spec. : 3P×0.25Q or 3P×24AWG 	PIN No.	Encoder Signal	PIN No.	Encoder Signal	PIN No.	Encoder Signal	PIN No.	Encoder Signal	A	MA	M	-	1	-	8	-	B	MA	N	-	2	-	9	-	C	SLO	P	-	3	MA	10	-	D	SLO	R	-	4	MA	11	-	E	-	H	+5V	5	SLO	12	-	F	-	G	0V	6	SLO	13	-	K	-	J	SHIELD	7	OV	14	+5V	L	-													PLATE	SHIELD
PIN No.	Encoder Signal	PIN No.	Encoder Signal	PIN No.	Encoder Signal	PIN No.	Encoder Signal																																																																														
A	MA	M	-	1	-	8	-																																																																														
B	MA	N	-	2	-	9	-																																																																														
C	SLO	P	-	3	MA	10	-																																																																														
D	SLO	R	-	4	MA	11	-																																																																														
E	-	H	+5V	5	SLO	12	-																																																																														
F	-	G	0V	6	SLO	13	-																																																																														
K	-	J	SHIELD	7	OV	14	+5V																																																																														
L	-																																																																																				
						PLATE	SHIELD																																																																														

Note1 □□□ of Mode (Name indicates the kind and length of cable. And the declaration is as below.

Cable Length(m)	1	2	3	...	18	19	20
General Cable	N01	N02	N03	...	N18	N19	N20
Robotic Cable	F01	F02	F03	...	F18	F19	F20

Note2 □□□ of model name indicates the capacity of drive. And the declaration is as page 16 / 22 / 32 / 38 / 48 / 52 / 60 / 66 page

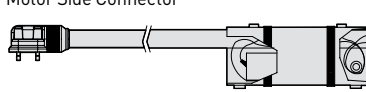
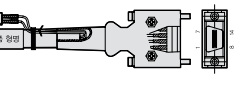
Signal Cable

Type	Product Type	Model Name <small>Note1</small>	Applicable Drive <small>Note2</small>	Applicable Motor	Specifications																																																																														
For Signal	F Series Motor M-turn Encoder Cable (Middle Capacity)	APCS-E□□□DS1	L7S□□□B L7NH□□□□U L7PA□□□□U L7NH□□□□U	All Models of FE/FEP FF/FFP FG/FGP SERIES Series	<div style="display: flex; justify-content: space-between;"> <div style="width: 45%;"> <p>Motor Side Connector</p> <p>MS3108A20-29S</p> <table border="1"> <thead> <tr> <th>PIN No</th> <th>Encoder Signal</th> <th>PIN No</th> <th>Encoder Signal</th> </tr> </thead> <tbody> <tr><td>A</td><td>MA</td><td>M</td><td>-</td></tr> <tr><td>B</td><td>MA</td><td>N</td><td>-</td></tr> <tr><td>C</td><td>SLO</td><td>P</td><td>-</td></tr> <tr><td>D</td><td>SLO</td><td>R</td><td>-</td></tr> <tr><td>E</td><td>VQD_B</td><td>H</td><td>+5V</td></tr> <tr><td>F</td><td>GND_B</td><td>G</td><td>OV</td></tr> <tr><td>K</td><td>-</td><td>J</td><td>SHELD</td></tr> <tr><td>L</td><td>-</td><td>-</td><td>-</td></tr> </tbody> </table> <p>(Motor Side Connector)</p> </div> <div style="width: 45%;"> <p>Drive Side Connector(CN2)</p> <table border="1"> <thead> <tr> <th>PIN No</th> <th>Encoder Signal</th> <th>PIN No</th> <th>Encoder Signal</th> </tr> </thead> <tbody> <tr><td>1</td><td>-</td><td>8</td><td>-</td></tr> <tr><td>2</td><td>-</td><td>9</td><td>-</td></tr> <tr><td>3</td><td>MA</td><td>10</td><td>-</td></tr> <tr><td>4</td><td>MA</td><td>11</td><td>-</td></tr> <tr><td>5</td><td>SLO</td><td>12</td><td>-</td></tr> <tr><td>6</td><td>SLO</td><td>13</td><td>-</td></tr> <tr><td>7</td><td>OV</td><td>14</td><td>+5V</td></tr> <tr><td colspan="2">PLATE</td><td colspan="2">SHIELD</td></tr> </tbody> </table> <p>(Drive Side Connector)</p> </div> </div> <div style="margin-top: 10px;"> <table border="1" style="margin-left: auto; margin-right: auto;"> <thead> <tr> <th>PIN No</th> <th>Encoder Signal</th> </tr> </thead> <tbody> <tr><td>1</td><td>-</td></tr> <tr><td>2</td><td>-</td></tr> </tbody> </table> <p>(Driver Side Connector)</p> </div> <ol style="list-style-type: none"> Motor Side Connector(MS: Military Standard) <ul style="list-style-type: none"> Plug Spec.: MS3108A20-29S Drive Side Connector(CN2) <ul style="list-style-type: none"> Case Spec.: 10314-52A0-008(3M) or SM-14J(Suntone) Connector Spec.: 10114-3000VE(3M) or SM-14J(Suntone) Cable Spec.: 4P×0.25Q or 4P×24AWG Battery Connector Spec.: 5267-02A(MOLEX) 	PIN No	Encoder Signal	PIN No	Encoder Signal	A	MA	M	-	B	MA	N	-	C	SLO	P	-	D	SLO	R	-	E	VQD_B	H	+5V	F	GND_B	G	OV	K	-	J	SHELD	L	-	-	-	PIN No	Encoder Signal	PIN No	Encoder Signal	1	-	8	-	2	-	9	-	3	MA	10	-	4	MA	11	-	5	SLO	12	-	6	SLO	13	-	7	OV	14	+5V	PLATE		SHIELD		PIN No	Encoder Signal	1	-	2	-
PIN No	Encoder Signal	PIN No	Encoder Signal																																																																																
A	MA	M	-																																																																																
B	MA	N	-																																																																																
C	SLO	P	-																																																																																
D	SLO	R	-																																																																																
E	VQD_B	H	+5V																																																																																
F	GND_B	G	OV																																																																																
K	-	J	SHELD																																																																																
L	-	-	-																																																																																
PIN No	Encoder Signal	PIN No	Encoder Signal																																																																																
1	-	8	-																																																																																
2	-	9	-																																																																																
3	MA	10	-																																																																																
4	MA	11	-																																																																																
5	SLO	12	-																																																																																
6	SLO	13	-																																																																																
7	OV	14	+5V																																																																																
PLATE		SHIELD																																																																																	
PIN No	Encoder Signal																																																																																		
1	-																																																																																		
2	-																																																																																		
For Signal	F Series Motor S-turn Encoder Cable (Small Capacity)	APCS-E□□□ES-□	L7S□□□B L7NH□□□□U L7PA□□□□U L7NH□□□□U L7CA□□□□U	All Models of FAL FBL FCL Series	<div style="display: flex; justify-content: space-between;"> <div style="width: 45%;"> <p>Motor Side Connector</p> <p>Tyco Connector (7Circuits)</p> <table border="1"> <thead> <tr> <th>PIN No</th> <th>Encoder Signal</th> </tr> </thead> <tbody> <tr><td>1</td><td>MA</td></tr> <tr><td>2</td><td>SLO</td></tr> <tr><td>3</td><td>-</td></tr> <tr><td>4</td><td>OV</td></tr> <tr><td>5</td><td>SHIELD</td></tr> <tr><td>6</td><td>MA</td></tr> <tr><td>7</td><td>SLO</td></tr> <tr><td>8</td><td>-</td></tr> <tr><td>9</td><td>+5V</td></tr> </tbody> </table> <p>(Motor Side Connector)</p> </div> <div style="width: 45%;"> <p>Drive Side Connector(CN2)</p> <table border="1"> <thead> <tr> <th>PIN No</th> <th>Encoder Signal</th> <th>PIN No</th> <th>Encoder Signal</th> </tr> </thead> <tbody> <tr><td>1</td><td>-</td><td>8</td><td>-</td></tr> <tr><td>2</td><td>-</td><td>9</td><td>-</td></tr> <tr><td>3</td><td>MA</td><td>10</td><td>-</td></tr> <tr><td>4</td><td>MA</td><td>11</td><td>-</td></tr> <tr><td>5</td><td>SLO</td><td>12</td><td>-</td></tr> <tr><td>6</td><td>SLO</td><td>13</td><td>-</td></tr> <tr><td>7</td><td>OV</td><td>14</td><td>+5V</td></tr> <tr><td colspan="2">PLATE</td><td colspan="2">SHIELD</td></tr> </tbody> </table> <p>(Drive Side Connector)</p> </div> </div> <ol style="list-style-type: none"> Motor Side Connector <ul style="list-style-type: none"> Cap Spec.: 2201825-1(Tyco) Socket Spec.: 2174065-4(Tyco) Drive Side Connector(CN2) <ul style="list-style-type: none"> Case Spec.: 10314-52A0-008(3M사) or SM-14J(Suntone) Connector Spec.: 10114-3000VE(3M사) or SM-14J(Suntone) Cable Spec.: 3P×0.25Q or 3P×24AWG 	PIN No	Encoder Signal	1	MA	2	SLO	3	-	4	OV	5	SHIELD	6	MA	7	SLO	8	-	9	+5V	PIN No	Encoder Signal	PIN No	Encoder Signal	1	-	8	-	2	-	9	-	3	MA	10	-	4	MA	11	-	5	SLO	12	-	6	SLO	13	-	7	OV	14	+5V	PLATE		SHIELD																							
PIN No	Encoder Signal																																																																																		
1	MA																																																																																		
2	SLO																																																																																		
3	-																																																																																		
4	OV																																																																																		
5	SHIELD																																																																																		
6	MA																																																																																		
7	SLO																																																																																		
8	-																																																																																		
9	+5V																																																																																		
PIN No	Encoder Signal	PIN No	Encoder Signal																																																																																
1	-	8	-																																																																																
2	-	9	-																																																																																
3	MA	10	-																																																																																
4	MA	11	-																																																																																
5	SLO	12	-																																																																																
6	SLO	13	-																																																																																
7	OV	14	+5V																																																																																
PLATE		SHIELD																																																																																	

Note1 □□□ of Model Name indicates the kind and length of cable. And the declaration is as below.
 In case of □ marked product, the connector can draw in a direction of Front(load)/Rear(half load). [Front Type: Nomark, Rear Type: -R]
 In case of FAL Type, the connector can draw in a direction of Front.

Cable Length(m)	1	2	3	...	18	19	20
General Cable	N01	N02	N03	...	N18	N19	N20
Robotic Cable	F01	F02	F03	...	F18	F19	F20

Note2 □□□ of model name indicates the capacity of drive. And the declaration is as page 16 / 22 / 32 / 38 / 48 / 52 / 60 / 66page

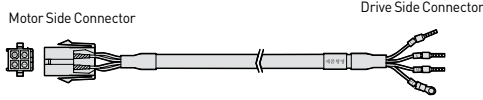
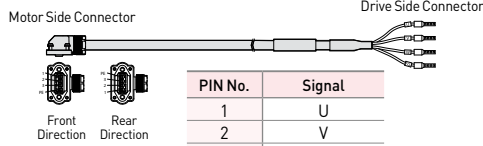
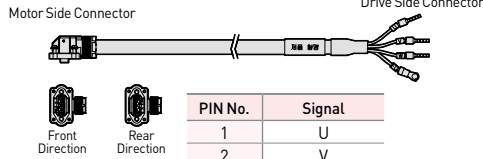
Type	Product Type	Model Name ^{Note1)}	Applicable Drive ^{Note2)}	Applicable Motor	Specifications																																																										
For Signal	F Series Motor M-turn Encoder Cable (Small Capacity)	APCS-E□□□ ES1-□	L7S□□□B L7NH□□□□U L7PA□□□□U	All Models of FAL FBL FCL Series	<div style="display: flex; justify-content: space-between;"> <div style="width: 45%;"> <p>Motor Side Connector</p>  <table border="1" style="margin-top: 10px;"> <thead> <tr> <th>PIN No</th> <th>Encoder Signal</th> </tr> </thead> <tbody> <tr><td>1</td><td>MA</td></tr> <tr><td>2</td><td>SLO</td></tr> <tr><td>3</td><td>GND_B</td></tr> <tr><td>4</td><td>OV</td></tr> <tr><td>5</td><td>SHELD</td></tr> <tr><td>6</td><td>MA</td></tr> <tr><td>7</td><td>SLO</td></tr> <tr><td>8</td><td>VOD_B</td></tr> <tr><td>9</td><td>+5V</td></tr> </tbody> </table> <p>(Motor Side Connector)</p> </div> <div style="width: 45%;"> <p>Drive Side Connector(CN2)</p>  <table border="1" style="margin-top: 10px;"> <thead> <tr> <th>PIN No</th> <th>Encoder Signal</th> <th>PIN No</th> <th>Encoder Signal</th> </tr> </thead> <tbody> <tr><td>1</td><td>-</td><td>8</td><td>-</td></tr> <tr><td>2</td><td>-</td><td>9</td><td>-</td></tr> <tr><td>3</td><td>MA</td><td>10</td><td>-</td></tr> <tr><td>4</td><td>MA</td><td>11</td><td>-</td></tr> <tr><td>5</td><td>SLO</td><td>12</td><td>-</td></tr> <tr><td>6</td><td>SLO</td><td>13</td><td>-</td></tr> <tr><td>7</td><td>OV</td><td>14</td><td>+5V</td></tr> </tbody> </table> <p>PLATE SHIELD (Drive Side Connector)</p> </div> </div> <div style="margin-top: 10px;"> <table border="1" style="float: right;"> <thead> <tr> <th>PIN No</th> <th>Encoder Signal</th> </tr> </thead> <tbody> <tr><td>1</td><td>BATTERY (VDD_B)</td></tr> <tr><td>2</td><td>BATTERY 0V (GND_B)</td></tr> </tbody> </table> <p>(Battery Connector)</p> </div> <p>1. Motor Side Connector</p> <ul style="list-style-type: none"> • Cap Spec.: 2201825-1(Tyco) • Socket Spec.: 2174065-4(Tyco) <p>2. Drive Side Connector(CN2)</p> <ul style="list-style-type: none"> • Case Spec.: 10314-52A0-008(3M) or SM-14J(Suntone) • Connector Spec.: 10114-3000VE(3M) or SM-14J(Suntone) <p>3. Cable Spec.: 4P×0.25Q or 4P×24AWG</p> <p>4. Battery Connector Spec.: 5267-02A(MOLEX)</p>	PIN No	Encoder Signal	1	MA	2	SLO	3	GND_B	4	OV	5	SHELD	6	MA	7	SLO	8	VOD_B	9	+5V	PIN No	Encoder Signal	PIN No	Encoder Signal	1	-	8	-	2	-	9	-	3	MA	10	-	4	MA	11	-	5	SLO	12	-	6	SLO	13	-	7	OV	14	+5V	PIN No	Encoder Signal	1	BATTERY (VDD_B)	2	BATTERY 0V (GND_B)
PIN No	Encoder Signal																																																														
1	MA																																																														
2	SLO																																																														
3	GND_B																																																														
4	OV																																																														
5	SHELD																																																														
6	MA																																																														
7	SLO																																																														
8	VOD_B																																																														
9	+5V																																																														
PIN No	Encoder Signal	PIN No	Encoder Signal																																																												
1	-	8	-																																																												
2	-	9	-																																																												
3	MA	10	-																																																												
4	MA	11	-																																																												
5	SLO	12	-																																																												
6	SLO	13	-																																																												
7	OV	14	+5V																																																												
PIN No	Encoder Signal																																																														
1	BATTERY (VDD_B)																																																														
2	BATTERY 0V (GND_B)																																																														

Note1) □□□ of Model Name indicates the kind and length of cable. And the declaration is as below.
 In case of □ marked product, the connector can draw in a direction of Front(load)/Rear(half load). (Front Type: Nomark, Rear Type: -R)
 In case of FAL Type, the connector can draw in a direction of Front.

Cable Length(m)	1	2	3	...	18	19	20
General Cable	N01	N02	N03	...	N18	N19	N20
Robotic Cable	F01	F02	F03	...	F18	F19	F20

Note2) □□□ of model name indicates the capacity of drive. And the declaration is as page 16 / 22 / 32 / 38 / 48 / 52 / 60 / 66page

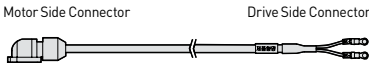
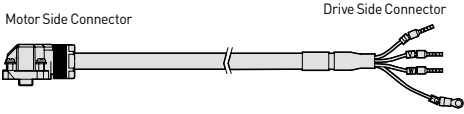
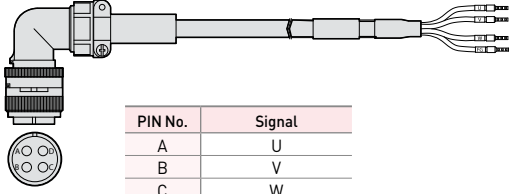
Power Cable [200V]

Type	Product Type	Model Name <small>Note1</small>	Applicable Drive <small>Note2</small>	Applicable Motor	Specifications										
For Power	H Series Power Cable (Small Capacity)	APCS-P □□□GS	L7SA□□□A L7NHA□□□U L7PA□□□U L7NH□□□U	All Models of HB Series	 <table border="1"> <thead> <tr> <th>PIN No.</th> <th>Signal</th> </tr> </thead> <tbody> <tr> <td>1</td> <td>U</td> </tr> <tr> <td>2</td> <td>V</td> </tr> <tr> <td>3</td> <td>W</td> </tr> <tr> <td>4</td> <td>Ground</td> </tr> </tbody> </table> <p> 1. Motor Side Connector • Cap Spec(4 Position) : 172159-1(AMP) • Socket Spec.: 170362-1(AMP) </p> <p> 2. Drive Side Connector(U, V, W, FG) • U, V, W Pin Spec. : 1512 • FG Pin Spec.: 1.5X4(Ring Terminal) </p> <p> 3. Cable Spec.: 4C×0.75SQ or 4C×18AWG </p>	PIN No.	Signal	1	U	2	V	3	W	4	Ground
PIN No.	Signal														
1	U														
2	V														
3	W														
4	Ground														
For Power	F Series Power Cable (iX7NH)	APCS-P □□□LSX	iX7NHA□□□U	All Models of iX7NH FAL FBL FCL Series	 <table border="1"> <thead> <tr> <th>PIN No.</th> <th>Signal</th> </tr> </thead> <tbody> <tr> <td>1</td> <td>U</td> </tr> <tr> <td>2</td> <td>V</td> </tr> <tr> <td>3</td> <td>W</td> </tr> <tr> <td>PE</td> <td>Ground</td> </tr> </tbody> </table> <p> 1. Motor Side Connector • CAP Spec: SM-JN8FT04N(Suntone) • Socket Spec.: SMS-201(Suntone) </p> <p> 2. Drive Side Connector • U, V, W Pin Spec.: F1508 • FG Pin Spec.: F1508 </p> <p> 3. Cable Spec.: 4C×0.75SQ or 4C×18AWG </p> <p>※ Specifications are subject to change without notice.</p>	PIN No.	Signal	1	U	2	V	3	W	PE	Ground
PIN No.	Signal														
1	U														
2	V														
3	W														
PE	Ground														
For Power	F Series (L7C)	APCS-P □□□LSC	L7CA□□□U	All Models of L7C FAL FBL FCL Series	 <table border="1"> <thead> <tr> <th>PIN No.</th> <th>Signal</th> </tr> </thead> <tbody> <tr> <td>1</td> <td>U</td> </tr> <tr> <td>2</td> <td>V</td> </tr> <tr> <td>3</td> <td>W</td> </tr> <tr> <td>PE</td> <td>Ground</td> </tr> </tbody> </table> <p> 1. Motor Side Connector • CAP Spec: SM-JN8FT04N • Socket Spec.: SMS-201 </p> <p> 2. Drive Side Connector • U, V, W Pin Spec.: F1506 • FG Pin Spec.: 1.5x4(Ring Terminal) </p> <p> 3. Cable Spec.: 4C×0.75SQ or 4C×18AWG </p>	PIN No.	Signal	1	U	2	V	3	W	PE	Ground
PIN No.	Signal														
1	U														
2	V														
3	W														
PE	Ground														

Note1 □□□ of Mode IName indicates the kind and length of cable. And the declaration is as below.

Cable Length[m]	1	2	3	...	18	19	20
General Cable	N01	N02	N03	...	N18	N19	N20
Robotic Cable	F01	F02	F03	...	F18	F19	F20

Note2 □□□ of model name indicates the capacity of drive. And the declaration is as page 16 / 22 / 32 / 38 / 48 / 52 / 60 / 66page

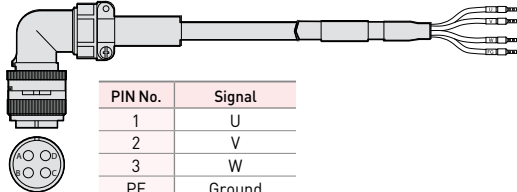
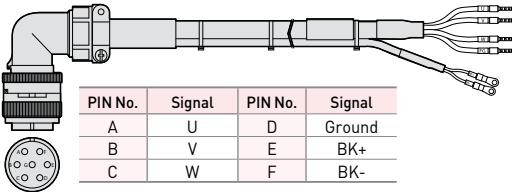
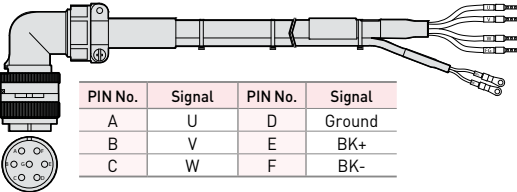
Type	Product Type	Model Name ^{Note1)}	Applicable Drive ^{Note2)}	Applicable Motor	Specifications										
For Power	Brake Cable for Flat Motor (Small Capacity)	APCS-B □□□ QS-□	L7SA□□□B L7NHA□□□U L7PA□□□U L7NHFA□□□U L7CA□□□U	All Models of FAL FBL FCL Series	 <table border="1" data-bbox="1027 539 1225 613"> <thead> <tr> <th>PIN No.</th> <th>Signal</th> </tr> </thead> <tbody> <tr> <td>1</td> <td>BK+</td> </tr> <tr> <td>2</td> <td>BK-</td> </tr> </tbody> </table> <p>1. Motor Side Connector</p> <ul style="list-style-type: none"> • Cap Spec: KN5FT02SJ1 • Socket Spec.: ST-KN-S-C1B-3500 <p>2. Drive Side Connector</p> <ul style="list-style-type: none"> • Connecting Terminal Spec.: 1.5x3(Ring Terminal) <p>3. Cable Spec.: 2C×0.55Q or 2C×20AWG</p>	PIN No.	Signal	1	BK+	2	BK-				
PIN No.	Signal														
1	BK+														
2	BK-														
For Power	L Series Power Cable (Small Capacity)	APCS-P □□□ LS-□	L7SA□□□B L7NHA□□□U L7PA□□□U L7NHFA□□□U	All Models of FAL FBL FCL Series	 <table border="1" data-bbox="1027 987 1254 1106"> <thead> <tr> <th>PIN No.</th> <th>Signal</th> </tr> </thead> <tbody> <tr> <td>1</td> <td>U</td> </tr> <tr> <td>2</td> <td>V</td> </tr> <tr> <td>3</td> <td>W</td> </tr> <tr> <td>PE</td> <td>Ground</td> </tr> </tbody> </table> <p>1. Motor Side Connector</p> <ul style="list-style-type: none"> • Cap Spec: SM-JN8FT04N • Socket Spec.: SMS-201 <p>2. Drive Side Connector</p> <ul style="list-style-type: none"> • U, V, W Pin Spec.: F1512 • FG Pin Spec.: 1.5x4(Ring Terminal) <p>3. Cable Spec.: 4C×0.75SQ or 4C×18AWG</p> <p>4. In Case of FAL Products, Please install Power Cable First Before Connecting Encoder Cable</p>	PIN No.	Signal	1	U	2	V	3	W	PE	Ground
PIN No.	Signal														
1	U														
2	V														
3	W														
PE	Ground														
For Power	F Series Power Cable (iX7NH)	APCS-P □□□ HSX1	iX7NHA□□□U	All Models of iX7NH FE Series FE09A/ FE15A FE06D/ FE11D FE05G/ FE09G FE03M/ FE06M FEP Series	 <table border="1" data-bbox="932 1532 1161 1653"> <thead> <tr> <th>PIN No.</th> <th>Signal</th> </tr> </thead> <tbody> <tr> <td>A</td> <td>U</td> </tr> <tr> <td>B</td> <td>V</td> </tr> <tr> <td>C</td> <td>W</td> </tr> <tr> <td>D</td> <td>Ground</td> </tr> </tbody> </table> <p>1. Motor Side Connector[MS: Military Standard]</p> <ul style="list-style-type: none"> • PLUG Spec: MS 3108A 20-4S <p>2. Drive Side Connector</p> <ul style="list-style-type: none"> • U, V, W Pin Spec.: F1508 • Cable Spec.: 4C×1.5SQ or 4C×15AWG • FG Pin Spec.: F1508 <p>※ Specifications are subject to change without notice.</p>	PIN No.	Signal	A	U	B	V	C	W	D	Ground
PIN No.	Signal														
A	U														
B	V														
C	W														
D	Ground														

Note1) □□□ of Mode IName indicates the kind and length of cable. And the declaration is as below.
 In case of □ marked product, the connector can draw in a direction of Front(load)/Rear(half load).(Front Type: Nomark, Rear Type: -R)
 In case of FAL Type, the connector can draw in a direction of Front.

Cable Length(m)	1	2	3	...	18	19	20
General Cable	N01	N02	N03	...	N18	N19	N20
Robotic Cable	F01	F02	F03	...	F18	F19	F20

Note2) □□□ of model name indicates the capacity of drive. And the declaration is as page 16 / 22 / 32 / 38 / 48 / 52 / 60 / 66page

Power Cable [200V]

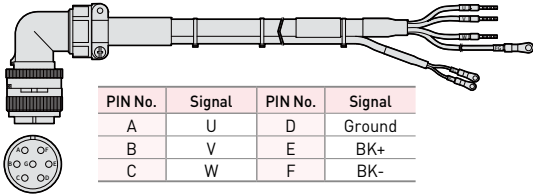
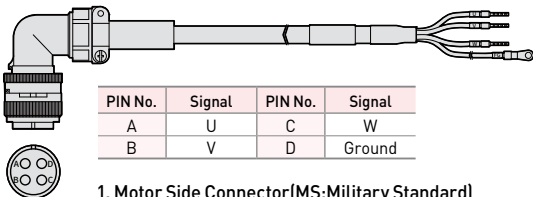
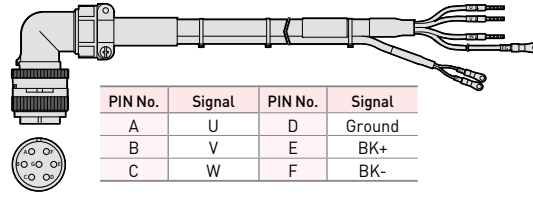
Type	Product Type	Model Name ^{Note1)}	Applicable Drive ^{Note2)}	Applicable Motor	Specifications																
For Power	Power Cable F Series (iX7NH)	APCS-P □□□HSX	iX7NHA□□□U	iX7NH FE Series FE22A/FE30A FE16D/FE22D FE13G/FE17G FE09M/FE12M	 <table border="1" data-bbox="941 526 1141 638"> <thead> <tr> <th>PIN No.</th> <th>Signal</th> </tr> </thead> <tbody> <tr> <td>1</td> <td>U</td> </tr> <tr> <td>2</td> <td>V</td> </tr> <tr> <td>3</td> <td>W</td> </tr> <tr> <td>PE</td> <td>Ground</td> </tr> </tbody> </table> <p>1. Motor Side Connector(MS: Military Standard) • PLUG Spec: MS 3108A 20-4S</p> <p>2. Drive Side Connector • U, V, W Pin Spec.: F2508 • Cable Spec.: 4Cx2.5SQ or 4Cx14AWG • FG Pin Spec.: F2508</p> <p>※ Specifications are subject to change without notice.</p>	PIN No.	Signal	1	U	2	V	3	W	PE	Ground						
PIN No.	Signal																				
1	U																				
2	V																				
3	W																				
PE	Ground																				
For Power	Power Cable F Series (iX7NH)	APCS-P □□□NBX1	iX7NHA□□□U	All Models of iX7NH FE Series FE09A/FE15A FE06D/FE11D FE05G/FE09G FE03M/FE06M FEP Series	 <table border="1" data-bbox="917 996 1236 1086"> <thead> <tr> <th>PIN No.</th> <th>Signal</th> <th>PIN No.</th> <th>Signal</th> </tr> </thead> <tbody> <tr> <td>A</td> <td>U</td> <td>D</td> <td>Ground</td> </tr> <tr> <td>B</td> <td>V</td> <td>E</td> <td>BK+</td> </tr> <tr> <td>C</td> <td>W</td> <td>F</td> <td>BK-</td> </tr> </tbody> </table> <p>1. Motor Side Connector(MS: Military Standard) • PLUG Spec: MS 3108A 20-15S</p> <p>2. Drive Side Connector • U, V, W Pin Spec.: F1508 • Cable Spec.: 4Cx1.5SQ or 4Cx15AWG • FG Pin Spec.: F1508</p> <p>3. Brake Power side Connector • BK Pin Spec.: 1.5x3(Ring Terminal) • Cable Spec.: 2Cx0.75SQ or 2Cx18AWG</p> <p>※ Specifications are subject to change without notice.</p>	PIN No.	Signal	PIN No.	Signal	A	U	D	Ground	B	V	E	BK+	C	W	F	BK-
PIN No.	Signal	PIN No.	Signal																		
A	U	D	Ground																		
B	V	E	BK+																		
C	W	F	BK-																		
For Power	Power Cable F Series (iX7NH)	APCS-P □□□NBX	iX7NHA□□□U	iX7NH FE Series FE22A/FE30A FE16D/FE22D FE13G/FE17G FE09M/FE12M	 <table border="1" data-bbox="917 1489 1236 1579"> <thead> <tr> <th>PIN No.</th> <th>Signal</th> <th>PIN No.</th> <th>Signal</th> </tr> </thead> <tbody> <tr> <td>A</td> <td>U</td> <td>D</td> <td>Ground</td> </tr> <tr> <td>B</td> <td>V</td> <td>E</td> <td>BK+</td> </tr> <tr> <td>C</td> <td>W</td> <td>F</td> <td>BK-</td> </tr> </tbody> </table> <p>1. Motor Side Connector(MS: Military Standard) • PLUG Spec: MS 3108A 20-15S</p> <p>2. Drive Side Connector • U, V, W Pin Spec.: F2508 • Cable Spec.: 4Cx2.5SQ or 4Cx14AWG • FG Pin Spec.: F2508</p> <p>3. Brake Power side Connector • BK Pin Spec.: 1.5x3(Ring Terminal) • Cable Spec.: 2Cx0.75SQ or 2Cx18AWG</p> <p>※ Specifications are subject to change without notice.</p>	PIN No.	Signal	PIN No.	Signal	A	U	D	Ground	B	V	E	BK+	C	W	F	BK-
PIN No.	Signal	PIN No.	Signal																		
A	U	D	Ground																		
B	V	E	BK+																		
C	W	F	BK-																		

Note1) □□□ of Mode IName indicates the kind and length of cable. And the declaration is as below.

Cable Length(m)	1	2	3	...	18	19	20
General Cable	N01	N02	N03	...	N18	N19	N20
Robotic Cable	F01	F02	F03	...	F18	F19	F20

Note2) □□□ of model name indicates the capacity of drive. And the declaration is as page 16 / 22 / 32 / 38 / 48 / 52 / 60 / 66page

Power Cable [Common use for 200V and 400V]

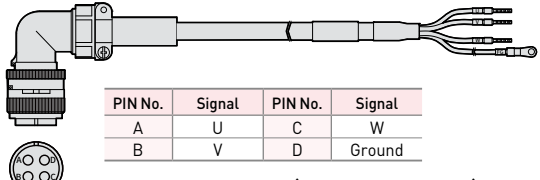
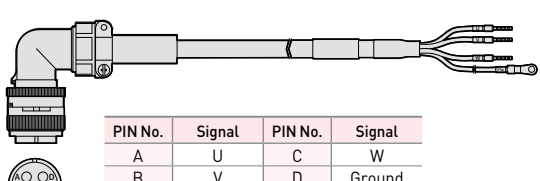
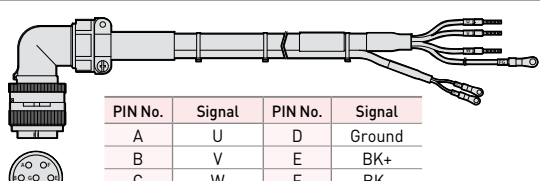
Type	Product Type	Model Name ^{Note1}	Applicable Drive ^{Note2}	Applicable Motor	Specifications																
For Power	Power Cable (Brake Type)	APCS-P □□□NB1	L7S□□□□□ L7NH□□□□□ L7NHFA□□□□□ L7P□□□□□	FE Series FE09A/FE15A FE06D/FE11D FE05G/FE09G FE03M/FE06M All Models of FEP Series	 <table border="1" data-bbox="901 526 1220 627"> <thead> <tr> <th>PIN No.</th> <th>Signal</th> <th>PIN No.</th> <th>Signal</th> </tr> </thead> <tbody> <tr> <td>A</td> <td>U</td> <td>D</td> <td>Ground</td> </tr> <tr> <td>B</td> <td>V</td> <td>E</td> <td>BK+</td> </tr> <tr> <td>C</td> <td>W</td> <td>F</td> <td>BK-</td> </tr> </tbody> </table> <p>1. Motor Side Connector[MS: Military Standard]</p> <ul style="list-style-type: none"> • PLUG Spec: MS 3108A 20-15S <p>2. Drive Side Connector</p> <ul style="list-style-type: none"> • U, V, W Pin Spec.: F1512 • Cable Spec.: 4Cx1.5SQ or 4Cx15AWG • FG Pin Spec.: 1.5x4(Ring Terminal) <p>3. Brake Power side Connector</p> <ul style="list-style-type: none"> • BK Pin Spec.: 1.5x3(Ring Terminal) • Cable Spec.: 2Cx0.75SQ or 2Cx18AWG 	PIN No.	Signal	PIN No.	Signal	A	U	D	Ground	B	V	E	BK+	C	W	F	BK-
PIN No.	Signal	PIN No.	Signal																		
A	U	D	Ground																		
B	V	E	BK+																		
C	W	F	BK-																		
For Power	Power Cable	APCS-P □□□HS1	L7S□□□□□ L7NH□□□□□ L7NHFA□□□□□ L7P□□□□□	FE Series FE09A/FE15A FE06D/FE11D FE05G/FE09G FE03M/FE06M All Models of FEP Series HE Series HE09A/HE15A	 <table border="1" data-bbox="901 1012 1220 1090"> <thead> <tr> <th>PIN No.</th> <th>Signal</th> <th>PIN No.</th> <th>Signal</th> </tr> </thead> <tbody> <tr> <td>A</td> <td>U</td> <td>C</td> <td>W</td> </tr> <tr> <td>B</td> <td>V</td> <td>D</td> <td>Ground</td> </tr> </tbody> </table> <p>1. Motor Side Connector[MS: Military Standard]</p> <ul style="list-style-type: none"> • PLUG Spec: MS 3108A 20-4S <p>2. Drive Side Connector</p> <ul style="list-style-type: none"> • U, V, W Pin Spec.: F1512 • Cable Spec.: 4Cx1.5SQ or 4Cx15AWG • FG Pin Spec.: 1.5x4(Ring Terminal) 	PIN No.	Signal	PIN No.	Signal	A	U	C	W	B	V	D	Ground				
PIN No.	Signal	PIN No.	Signal																		
A	U	C	W																		
B	V	D	Ground																		
For Power	Power Cable (Brake Type)	APCS-P □□□NB	L7SA□□□□□ L7NHA□□□□□ L7NHFA□□□□□ L7PA□□□□□	FE Series FE22A/FE30A FE16D/FE22D FE13G/FE17G FE09M/FE12M	 <table border="1" data-bbox="901 1393 1220 1494"> <thead> <tr> <th>PIN No.</th> <th>Signal</th> <th>PIN No.</th> <th>Signal</th> </tr> </thead> <tbody> <tr> <td>A</td> <td>U</td> <td>D</td> <td>Ground</td> </tr> <tr> <td>B</td> <td>V</td> <td>E</td> <td>BK+</td> </tr> <tr> <td>C</td> <td>W</td> <td>F</td> <td>BK-</td> </tr> </tbody> </table> <p>1. Motor Side Connector[MS: Military Standard]</p> <ul style="list-style-type: none"> • PLUG Spec: MS 3108A 20-15S <p>2. Drive Side Connector</p> <ul style="list-style-type: none"> • U, V, W Pin Spec.: F2512 • Cable Spec.: 4Cx2.5SQ or 4Cx14AWG • FG Pin Spec.: 2.5x4(Ring Terminal) <p>3. Brake Power side Connector</p> <ul style="list-style-type: none"> • BK Pin Spec.: 1.5x3(Ring Terminal) • Cable Spec.: 2Cx0.75SQ or 2Cx18AWG 	PIN No.	Signal	PIN No.	Signal	A	U	D	Ground	B	V	E	BK+	C	W	F	BK-
PIN No.	Signal	PIN No.	Signal																		
A	U	D	Ground																		
B	V	E	BK+																		
C	W	F	BK-																		

Note1) □□□ of Mode lName indicates the kind and length of cable. And the declaration is as below.

Cable Length(m)	1	2	3	...	18	19	20
General Cable	N01	N02	N03	...	N18	N19	N20
Robotic Cable	F01	F02	F03	...	F18	F19	F20

Note2) □□□ of model name indicates the capacity of drive. And the declaration is as page 16 / 22 / 32 / 38 / 48 / 52 / 60 / 66page

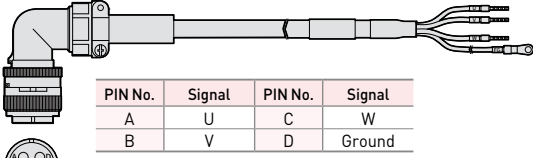
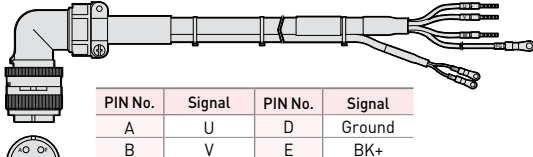
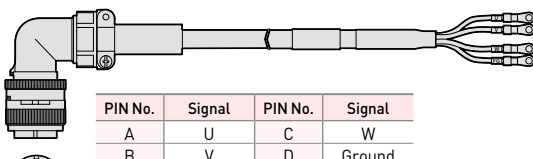
Power Cable [Common use for 200V and 400V]

Type	Product Type	Model Name <small>Note1</small>	Applicable Drive <small>Note2</small>	Applicable Motor	Specifications																
For Power	Power Cable	APCS-P □□□HS	L7SA□□□□ L7NHA□□□□U L7NHFA□□□□U L7PA□□□□U	FE Series FE22A/FE30A FE16D/FE22D FE13G/FE17G FE12M/FE09M	 <table border="1" data-bbox="893 537 1212 604"> <thead> <tr> <th>PIN No.</th> <th>Signal</th> <th>PIN No.</th> <th>Signal</th> </tr> </thead> <tbody> <tr> <td>A</td> <td>U</td> <td>C</td> <td>W</td> </tr> <tr> <td>B</td> <td>V</td> <td>D</td> <td>Ground</td> </tr> </tbody> </table> <p>1. Motor Side Connector (MS: Military Standard) • PLUG Spec: MS 3108A 20-4S</p> <p>2. Drive Side Connector • U, V, W Pin Spec.: F2512 • Cable Spec.: 4Cx2.5SQ or 4Cx14AWG • FG Pin Spec.: 2.5x4 (Ring Terminal)</p>	PIN No.	Signal	PIN No.	Signal	A	U	C	W	B	V	D	Ground				
PIN No.	Signal	PIN No.	Signal																		
A	U	C	W																		
B	V	D	Ground																		
For Power	Power Cable	APCS-P □□□IS1	L7S□□□□□ L7NH□□□□□U L7NHFA□□□□U L7P□□□□□U	FF Series FF22D/FF20G FF12M FG Series FG22D/FG20G FG12M FFP Series FFP30A/FFP22D FFP35D/FFP20G FFP30G/FFP12M FFP20M/FFP30M FGP Series FGP22D/FGP35D FGP20G/FGP30G FGP12M/FGP20M FGP30M	 <table border="1" data-bbox="893 940 1212 1008"> <thead> <tr> <th>PIN No.</th> <th>Signal</th> <th>PIN No.</th> <th>Signal</th> </tr> </thead> <tbody> <tr> <td>A</td> <td>U</td> <td>C</td> <td>W</td> </tr> <tr> <td>B</td> <td>V</td> <td>D</td> <td>Ground</td> </tr> </tbody> </table> <p>1. Motor Side Connector (MS: Military Standard) • PLUG Spec: MS 3108A 22-22S</p> <p>2. Drive Side Connector • U, V, W Pin Spec.: F1512 • Cable Spec.: 4Cx1.5SQ or 4Cx15AWG • FG Pin Spec.: 1.5x4 (Ring Terminal)</p>	PIN No.	Signal	PIN No.	Signal	A	U	C	W	B	V	D	Ground				
PIN No.	Signal	PIN No.	Signal																		
A	U	C	W																		
B	V	D	Ground																		
For Power	Power Cable (Brake Type)	APCS-P □□□PB1	L7S□□□□□ L7NH□□□□□U L7NHFA□□□□□U L7P□□□□□U	FF Series FF22D/FF20G FF12M FFP Series FFP30A/FFP22D FFP35D/FFP20G FFP30G/FFP12M FFP20M/FFP30M	 <table border="1" data-bbox="893 1344 1212 1411"> <thead> <tr> <th>PIN No.</th> <th>Signal</th> <th>PIN No.</th> <th>Signal</th> </tr> </thead> <tbody> <tr> <td>A</td> <td>U</td> <td>D</td> <td>Ground</td> </tr> <tr> <td>B</td> <td>V</td> <td>E</td> <td>BK+</td> </tr> <tr> <td>C</td> <td>W</td> <td>F</td> <td>BK-</td> </tr> </tbody> </table> <p>1. Motor Side Connector (MS: Military Standard) • PLUG Spec: MS 3108A 24-10S</p> <p>2. Drive Side Connector • U, V, W Pin Spec.: F1512 • Cable Spec.: 4Cx1.5SQ or 4Cx15AWG • FG Pin Spec.: 1.5x4 (Ring Terminal)</p> <p>3. Brake Power side Connector • BK Pin Spec.: 1.5x3 (Ring Terminal) • Cable Spec.: 2Cx0.75SQ or 2Cx18AWG</p>	PIN No.	Signal	PIN No.	Signal	A	U	D	Ground	B	V	E	BK+	C	W	F	BK-
PIN No.	Signal	PIN No.	Signal																		
A	U	D	Ground																		
B	V	E	BK+																		
C	W	F	BK-																		

Note1 □□□ of Model Name indicates the kind and length of cable. And the declaration is as below.

Cable Length(m)	1	2	3	...	18	19	20
General Cable	N01	N02	N03	...	N18	N19	N20
Robotic Cable	F01	F02	F03	...	F18	F19	F20

Note2 □□□ of model name indicates the capacity of drive. And the declaration is as page 16 / 22 / 32 / 38 / 48 / 52 / 60 / 66page

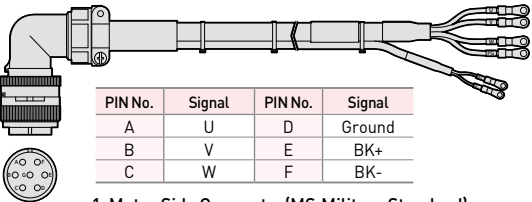
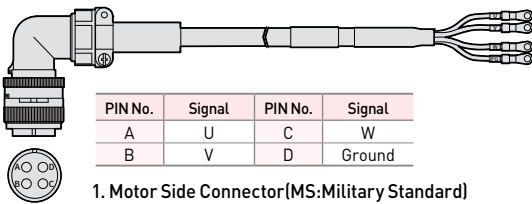
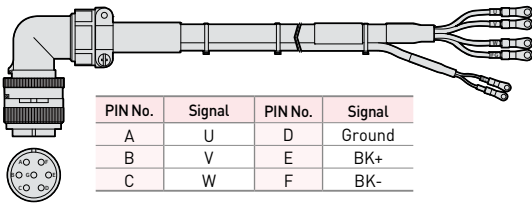
Type	Product Type	Model Name ^{Note1)}	Applicable Drive ^{Note2)}	Applicable Motor	Specifications																
For Power	Power Cable	APCS-P □□□IS	L7SA□□□□ L7NHA□□□□U L7NHFA□□□□U L7PA□□□□U	FF Series FF30A/FF35D FF30G/FF20M FF30M FG Series FG35D/FG30G FG20M/FG30M	 <table border="1" data-bbox="901 537 1220 616"> <thead> <tr> <th>PIN No.</th> <th>Signal</th> <th>PIN No.</th> <th>Signal</th> </tr> </thead> <tbody> <tr> <td>A</td> <td>U</td> <td>C</td> <td>W</td> </tr> <tr> <td>B</td> <td>V</td> <td>D</td> <td>Ground</td> </tr> </tbody> </table> <p>1. Motor Side Connector(MS: Military Standard) • PLUG Spec: MS 3108A 22-22S</p> <p>2. Drive Side Connector • U, V, W Pin Spec.: F2512 • Cable Spec.: 4Cx2.5SQ or 4Cx14AWG • FG Pin Spec.: 2.5x4(Ring Terminal)</p>	PIN No.	Signal	PIN No.	Signal	A	U	C	W	B	V	D	Ground				
PIN No.	Signal	PIN No.	Signal																		
A	U	C	W																		
B	V	D	Ground																		
For Power	Power Cable (Brake Type)	APCS-P □□□PB	L7SA□□□□ L7NHA□□□□U L7NHFA□□□□U L7PA□□□□U	FF Series FF30A/FF35D FF30G/FF20M FF30M	 <table border="1" data-bbox="901 929 1220 1019"> <thead> <tr> <th>PIN No.</th> <th>Signal</th> <th>PIN No.</th> <th>Signal</th> </tr> </thead> <tbody> <tr> <td>A</td> <td>U</td> <td>D</td> <td>Ground</td> </tr> <tr> <td>B</td> <td>V</td> <td>E</td> <td>BK+</td> </tr> <tr> <td>C</td> <td>W</td> <td>F</td> <td>BK-</td> </tr> </tbody> </table> <p>1. Motor Side Connector(MS: Military Standard) • PLUG Spec: MS 3108A 24-10S</p> <p>2. Drive Side Connector • U, V, W Pin Spec.: F2512 • Cable Spec.: 4Cx2.5SQ or 4Cx14AWG • FG Pin Spec.: 2.5x4(Ring Terminal)</p> <p>3. Brake Power side Connector • BK Pin Spec.: 1.5x3(Ring Terminal) • Cable Spec.: 2Cx0.75SQ or 2Cx18AWG</p>	PIN No.	Signal	PIN No.	Signal	A	U	D	Ground	B	V	E	BK+	C	W	F	BK-
PIN No.	Signal	PIN No.	Signal																		
A	U	D	Ground																		
B	V	E	BK+																		
C	W	F	BK-																		
For Power	Power Cable	APCS-P □□□JS1	L7SB□□□□ L7NHB□□□□U L7PB□□□□U	FFP Series FFP50A/ FFP55D FFP75D/ FFP44G FFP60G/ FFP44M FGP Series FGP55D/ FGP75D FGP44G/ FGP60G FGP44M	 <table border="1" data-bbox="901 1422 1220 1500"> <thead> <tr> <th>PIN No.</th> <th>Signal</th> <th>PIN No.</th> <th>Signal</th> </tr> </thead> <tbody> <tr> <td>A</td> <td>U</td> <td>C</td> <td>W</td> </tr> <tr> <td>B</td> <td>V</td> <td>D</td> <td>Ground</td> </tr> </tbody> </table> <p>1. Motor Side Connector(MS: Military Standard) • PLUG Spec: MS 3108A 22-22S</p> <p>2. Drive Side Connector • U, V, W Pin Spec.: 4.0x5(Ring Terminal) • Cable Spec.: 4Cx4.0SQ or 4Cx11AWG • FG Pin Spec.: 4.0x5(Ring Terminal)</p>	PIN No.	Signal	PIN No.	Signal	A	U	C	W	B	V	D	Ground				
PIN No.	Signal	PIN No.	Signal																		
A	U	C	W																		
B	V	D	Ground																		

Note1) □□□ of Mode IName indicates the kind and length of cable. And the declaration is as below.

Cable Length(m)	1	2	3	...	18	19	20
General Cable	N01	N02	N03	...	N18	N19	N20
Robotic Cable	F01	F02	F03	...	F18	F19	F20

Note2) □□□ of model name indicates the capacity of drive. And the declaration is as page 16 / 22 / 32 / 38 / 48 / 52 / 60 / 66page

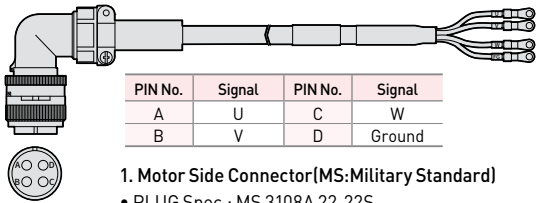
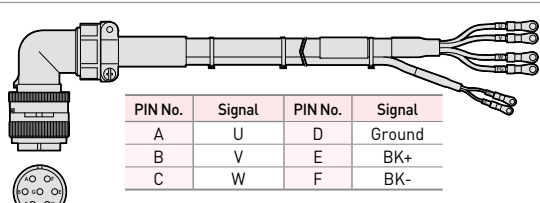
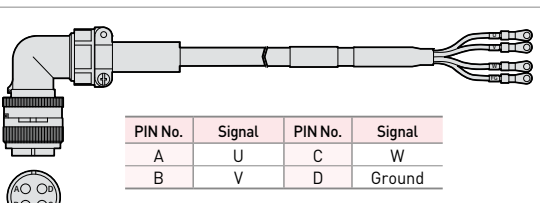
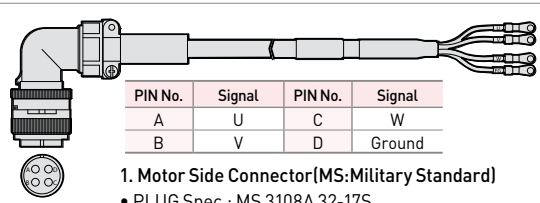
Power Cable [Common use for 200V and 400V]

Type	Product Type	Model Name <small>Note1</small>	Applicable Drive <small>Note2</small>	Applicable Motor	Specifications																
For Power	Power Cable (Brake Type)	APCS-P □□□LB1	L7SB□□□□ L7NHB□□□□U L7PB□□□□U	FFP Series FFP50A/ FFP55D FFP75D/ FFP44G FFP60G/ FFP44M	 <table border="1"> <thead> <tr> <th>PIN No.</th> <th>Signal</th> <th>PIN No.</th> <th>Signal</th> </tr> </thead> <tbody> <tr> <td>A</td> <td>U</td> <td>D</td> <td>Ground</td> </tr> <tr> <td>B</td> <td>V</td> <td>E</td> <td>BK+</td> </tr> <tr> <td>C</td> <td>W</td> <td>F</td> <td>BK-</td> </tr> </tbody> </table> <ol style="list-style-type: none"> Motor Side Connector(MS: Military Standard) <ul style="list-style-type: none"> • PLUG Spec: MS 3108A 24-10S Drive Side Connector <ul style="list-style-type: none"> • U, V, W Pin Spec.: 4.0x5(Ring Terminal) • Cable Spec.: 4Cx4.0SQ or 4Cx11AWG • FG Pin Spec.: 4.0x5(Ring Terminal) Brake Power side Connector <ul style="list-style-type: none"> • BK Pin Spec.: 1.5x3(Ring Terminal) • Cable Spec.: 2Cx0.75SQ or 2Cx18AWG 	PIN No.	Signal	PIN No.	Signal	A	U	D	Ground	B	V	E	BK+	C	W	F	BK-
PIN No.	Signal	PIN No.	Signal																		
A	U	D	Ground																		
B	V	E	BK+																		
C	W	F	BK-																		
For Power	Power Cable	APCS-P □□□JS	L7SA□□□□ L7NHA□□□□U L7NHFA□□□□U L7PA□□□□U	FF Series FF50A/ FF55D FF44G/ FF44M FG Series FG55D/ FG44G FG44M	 <table border="1"> <thead> <tr> <th>PIN No.</th> <th>Signal</th> <th>PIN No.</th> <th>Signal</th> </tr> </thead> <tbody> <tr> <td>A</td> <td>U</td> <td>C</td> <td>W</td> </tr> <tr> <td>B</td> <td>V</td> <td>D</td> <td>Ground</td> </tr> </tbody> </table> <ol style="list-style-type: none"> Motor Side Connector(MS: Military Standard) <ul style="list-style-type: none"> • PLUG Spec: MS 3108A 22-22S Drive Side Connector <ul style="list-style-type: none"> • U, V, W Pin Spec.: 6.0x5(Ring Terminal) • Cable Spec.: 4Cx6.0SQ or 4Cx10AWG • FG Pin Spec.: 6.0x5(Ring Terminal) 	PIN No.	Signal	PIN No.	Signal	A	U	C	W	B	V	D	Ground				
PIN No.	Signal	PIN No.	Signal																		
A	U	C	W																		
B	V	D	Ground																		
For Power	Power Cable (Brake Type)	APCS-P □□□LB	L7SA□□□□ L7NHA□□□□U L7NHFA□□□□U L7PA□□□□U	FF Series FF50A/ FF55D FF44G/ FF44M	 <table border="1"> <thead> <tr> <th>PIN No.</th> <th>Signal</th> <th>PIN No.</th> <th>Signal</th> </tr> </thead> <tbody> <tr> <td>A</td> <td>U</td> <td>D</td> <td>Ground</td> </tr> <tr> <td>B</td> <td>V</td> <td>E</td> <td>BK+</td> </tr> <tr> <td>C</td> <td>W</td> <td>F</td> <td>BK-</td> </tr> </tbody> </table> <ol style="list-style-type: none"> Motor Side Connector(MS: Military Standard) <ul style="list-style-type: none"> • PLUG Spec: MS 3108A 24-10S Drive Side Connector <ul style="list-style-type: none"> • U, V, W Pin Spec.: 6.0x5(Ring Terminal) • Cable Spec.: 4Cx6.0SQ or 4Cx10AWG • FG Pin Spec.: 6.0x5(Ring Terminal) Brake Power Side Connector <ul style="list-style-type: none"> • BK Pin Spec.: 1.5x3(Ring Terminal) • Cable Spec.: 2Cx0.75SQ or 2Cx18AWG 	PIN No.	Signal	PIN No.	Signal	A	U	D	Ground	B	V	E	BK+	C	W	F	BK-
PIN No.	Signal	PIN No.	Signal																		
A	U	D	Ground																		
B	V	E	BK+																		
C	W	F	BK-																		

Note1) □□□ of Mode IName indicates the kind and length of cable. And the declaration is as below.

Cable Length(m)	1	2	3	...	18	19	20
General Cable	N01	N02	N03	...	N18	N19	N20
Robotic Cable	F01	F02	F03	...	F18	F19	F20

Note2) □□□ of model name indicates the capacity of drive. And the declaration is as page 16 / 22 / 32 / 38 / 48 / 52 / 60 / 66page

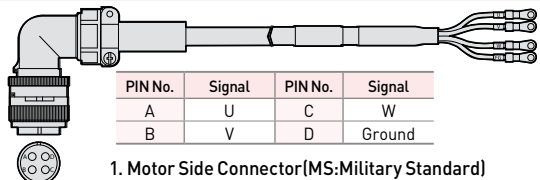
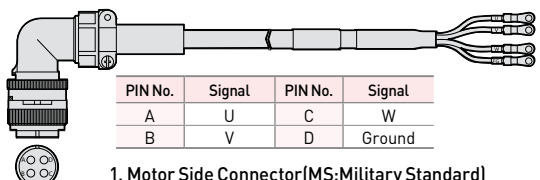
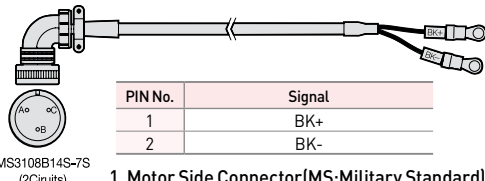
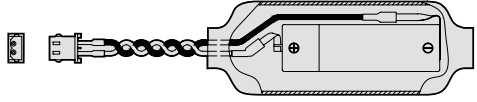
Type	Product Type	Model Name ^{Note1)}	Applicable Drive ^{Note2)}	Applicable Motor	Specifications																
For Power	Power Cable	APCS-P □□□JS2	L7SA□□□□ L7NHA□□□□U L7NHFA□□□□U L7PA□□□□U	FF Series FF75D/FF60G FG Series FG75D/FG60G	 <table border="1"> <thead> <tr> <th>PIN No.</th> <th>Signal</th> <th>PIN No.</th> <th>Signal</th> </tr> </thead> <tbody> <tr> <td>A</td> <td>U</td> <td>C</td> <td>W</td> </tr> <tr> <td>B</td> <td>V</td> <td>D</td> <td>Ground</td> </tr> </tbody> </table> <p>1. Motor Side Connector[MS: Military Standard] • PLUG Spec.: MS 3108A 22-22S</p> <p>2. Drive Side Connector • U, V, W Pin Spec.: 10.0x5(Ring Terminal) • Cable Spec.: 4Cx10.0SQ or 4Cx8AWG • FG Pin Spec.: 10.0x5(Ring Terminal)</p>	PIN No.	Signal	PIN No.	Signal	A	U	C	W	B	V	D	Ground				
PIN No.	Signal	PIN No.	Signal																		
A	U	C	W																		
B	V	D	Ground																		
For Power	Power Cable (Brake Type)	APCS-P □□□LB2	L7SA□□□□ L7NHA□□□□U L7NHFA□□□□U L7PA□□□□U	FF Series FF75D/ FF60G	 <table border="1"> <thead> <tr> <th>PIN No.</th> <th>Signal</th> <th>PIN No.</th> <th>Signal</th> </tr> </thead> <tbody> <tr> <td>A</td> <td>U</td> <td>D</td> <td>Ground</td> </tr> <tr> <td>B</td> <td>V</td> <td>E</td> <td>BK+</td> </tr> <tr> <td>C</td> <td>W</td> <td>F</td> <td>BK-</td> </tr> </tbody> </table> <p>1. Motor Side Connector[MS: Military Standard] • PLUG Spec.: MS 3108A 24-10S</p> <p>2. Drive Side Connector • U, V, W Pin Spec.: 10.0x5(Ring Terminal) • Cable Spec.: 4Cx10.0SQ or 4Cx8AWG • FG Pin Spec.: 10.0x5(Ring Terminal)</p> <p>3. Brake Power side Connector • BK Pin Spec.: 1.5x3(Ring Terminal) • Cable Spec.: 2Cx0.75SQ or 2Cx18AWG</p>	PIN No.	Signal	PIN No.	Signal	A	U	D	Ground	B	V	E	BK+	C	W	F	BK-
PIN No.	Signal	PIN No.	Signal																		
A	U	D	Ground																		
B	V	E	BK+																		
C	W	F	BK-																		
For Power	Power Cable	APCS-P □□□MS1	L7SB□□□□ L7NHB□□□□U L7PB□□□□U	FFP Series FFP75G FGP Series FGP60M/ FGP110D/ FGP85G/ FGP110G	 <table border="1"> <thead> <tr> <th>PIN No.</th> <th>Signal</th> <th>PIN No.</th> <th>Signal</th> </tr> </thead> <tbody> <tr> <td>A</td> <td>U</td> <td>C</td> <td>W</td> </tr> <tr> <td>B</td> <td>V</td> <td>D</td> <td>Ground</td> </tr> </tbody> </table> <p>1. Motor Side Connector[MS: Military Standard] • PLUG Spec.: MS 3108A 32-17S</p> <p>2. Drive Side Connector • U, V, W Pin Spec.: 6.0x5(Ring Terminal) • Cable Spec.: 4Cx6.0SQ or 4Cx10AWG • FG Pin Spec.: 6.0x5(Ring Terminal)</p>	PIN No.	Signal	PIN No.	Signal	A	U	C	W	B	V	D	Ground				
PIN No.	Signal	PIN No.	Signal																		
A	U	C	W																		
B	V	D	Ground																		
For Power	Power Cable	APCS-P □□□MS	L7S□□□□□ L7NH□□□□□U L7NHF□□□□□U L7P□□□□□U	FF Series FF75G FG Series FG60M FGP Series FGP150G	 <table border="1"> <thead> <tr> <th>PIN No.</th> <th>Signal</th> <th>PIN No.</th> <th>Signal</th> </tr> </thead> <tbody> <tr> <td>A</td> <td>U</td> <td>C</td> <td>W</td> </tr> <tr> <td>B</td> <td>V</td> <td>D</td> <td>Ground</td> </tr> </tbody> </table> <p>1. Motor Side Connector[MS: Military Standard] • PLUG Spec.: MS 3108A 32-17S</p> <p>2. Drive Side Connector • U, V, W Pin Spec.: 10.0x5(Ring Terminal) • Cable Spec.: 4Cx10.0SQ or 4Cx8AWG • FG Pin Spec.: 10.0x5(Ring Terminal)</p>	PIN No.	Signal	PIN No.	Signal	A	U	C	W	B	V	D	Ground				
PIN No.	Signal	PIN No.	Signal																		
A	U	C	W																		
B	V	D	Ground																		

Note1) □□□ of Model Name indicates the kind and length of cable. And the declaration is as below.

Cable Length(m)	1	2	3	...	18	19	20
General Cable	N01	N02	N03	...	N18	N19	N20
Robotic Cable	F01	F02	F03	...	F18	F19	F20

Note2) □□□ of model name indicates the capacity of drive. And the declaration is as page 16/22/32/38/48/52/60/66page

Power Cable [Common use for 200V and 400V]

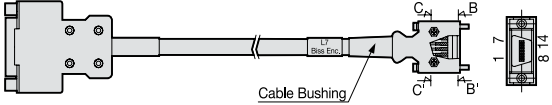

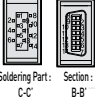
Type	Product Type	Model Name ^{Note1}	Applicable Drive ^{Note2}	Applicable Motor	Specifications												
For Power	Power Cable	APCS-P □□□OS	L7SA□□□□ L7NHA□□□□U L7PA□□□□U	FG Series FG110D/ FG85G FG110G	 <table border="1"> <thead> <tr> <th>PIN No.</th> <th>Signal</th> <th>PIN No.</th> <th>Signal</th> </tr> </thead> <tbody> <tr> <td>A</td> <td>U</td> <td>C</td> <td>W</td> </tr> <tr> <td>B</td> <td>V</td> <td>D</td> <td>Ground</td> </tr> </tbody> </table> <p>1. Motor Side Connector[MS: Military Standard] • PLUG Spec: MS 3108A 32-17S</p> <p>2. Drive Side Connector • U, V, W Pin Spec.: 16.0x6[Ring Terminal] • Cable Spec.: 4Cx16.0SQ or 4Cx5AWG • FG Pin Spec.: 16.0x6[Ring Terminal]</p>	PIN No.	Signal	PIN No.	Signal	A	U	C	W	B	V	D	Ground
PIN No.	Signal	PIN No.	Signal														
A	U	C	W														
B	V	D	Ground														
For Power	Power Cable	APCS-P □□□VS	L7SA□□□□ L7NHA□□□□U L7PA□□□□U	FG Series FG150G	 <table border="1"> <thead> <tr> <th>PIN No.</th> <th>Signal</th> <th>PIN No.</th> <th>Signal</th> </tr> </thead> <tbody> <tr> <td>A</td> <td>U</td> <td>C</td> <td>W</td> </tr> <tr> <td>B</td> <td>V</td> <td>D</td> <td>Ground</td> </tr> </tbody> </table> <p>1. Motor Side Connector[MS: Military Standard] • PLUG Spec: MS 3108A 32-17S</p> <p>2. Drive Side Connector • U, V, W Pin Spec.: 25.0x6[Ring Terminal] • Cable Spec.: 4Cx25.0SQ or 4Cx3AWG • FG Pin Spec.: 22.0x6[Ring Terminal]</p>	PIN No.	Signal	PIN No.	Signal	A	U	C	W	B	V	D	Ground
PIN No.	Signal	PIN No.	Signal														
A	U	C	W														
B	V	D	Ground														
For Power	Brake Cable	APCS-P □□□SB	L7S□□□□□ L7NH□□□□□U L7NHFA□□□□U L7P□□□□□U	All Model of FG Series	 <table border="1"> <thead> <tr> <th>PIN No.</th> <th>Signal</th> </tr> </thead> <tbody> <tr> <td>1</td> <td>BK+</td> </tr> <tr> <td>2</td> <td>BK-</td> </tr> </tbody> </table> <p>MS3108B14S-7S (2Circuits)</p> <p>1. Motor Side Connector[MS: Military Standard] • PLUG Spec: MS3108A 14S-7S</p> <p>2. Drive Side Connector • Connecting Terminal Spec.: 1.5x3[Ring Terminal]</p> <p>3. Cable Spec.: 2Cx0.75SQ or 2Cx18AWG</p>	PIN No.	Signal	1	BK+	2	BK-						
PIN No.	Signal																
1	BK+																
2	BK-																
Battery For Encoder	Battery Ass'y	APCS-BATT36	All Model of L7 Series	All Model of F Series	 <table border="1"> <thead> <tr> <th>PIN No.</th> <th>Signal</th> </tr> </thead> <tbody> <tr> <td>1</td> <td>BK+</td> </tr> <tr> <td>2</td> <td>BK-</td> </tr> </tbody> </table> <p>• PLUG Spec: 5264-02[Molex] • PLUG Pin Spec.: 5263PBT[Molex] • Battery Spec: ER6V/3.6V, 2000mAh[TOSHIBA]</p>	PIN No.	Signal	1	BK+	2	BK-						
PIN No.	Signal																
1	BK+																
2	BK-																

Note1) □□□ of Model Name indicates the kind and length of cable. And the declaration is as below.

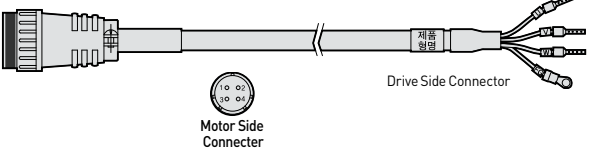
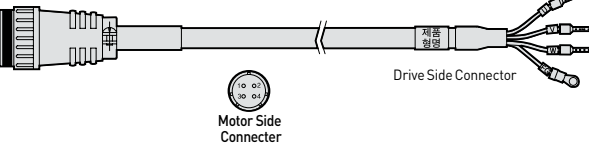
Cable Length(m)	1	2	3	...	18	19	20
General Cable	N01	N02	N03	...	N18	N19	N20
Robotic Cable	F01	F02	F03	...	F18	F19	F20

Note2) □□□ of model name indicates the capacity of drive. And the declaration is as page 16 / 22 / 32 / 38 / 48 / 52 / 60 / 66page

DD Motor Signal Cable

Type	Product Type	Model Name <small>Note1</small>	Applicable Drive <small>Note2</small>	Applicable Motor	Specifications																																																																								
For Signal	L7 Encoder Cable	APCS-E □□□ ZS	L7SA□□□B L7NA□□□B L7NHA□□□U L7PA□□□U	All Model of DD Motor	  <table border="1"> <caption>D.D SERVO ENCODER CABLE</caption> <thead> <tr> <th>PIN No.</th> <th>Encoder Signal</th> <th>PIN No.</th> <th>Encoder Signal</th> </tr> </thead> <tbody> <tr><td>1</td><td>MA</td><td>9</td><td>+5V</td></tr> <tr><td>2</td><td>SLO</td><td>10</td><td>-</td></tr> <tr><td>3</td><td>-</td><td>11</td><td>-</td></tr> <tr><td>4</td><td>OV</td><td>12</td><td>-</td></tr> <tr><td>5</td><td>SHELD</td><td>13</td><td>-</td></tr> <tr><td>6</td><td>MA</td><td>14</td><td>-</td></tr> <tr><td>7</td><td>SLO</td><td>15</td><td>-</td></tr> <tr><td>8</td><td>-</td><td>-</td><td>-</td></tr> </tbody> </table>  <table border="1"> <thead> <tr> <th>PIN No.</th> <th>Encoder Signal</th> <th>PIN No.</th> <th>Encoder Signal</th> </tr> </thead> <tbody> <tr><td>1</td><td>-</td><td>8</td><td>-</td></tr> <tr><td>2</td><td>-</td><td>9</td><td>-</td></tr> <tr><td>3</td><td>MA</td><td>10</td><td>-</td></tr> <tr><td>4</td><td>MA</td><td>11</td><td>-</td></tr> <tr><td>5</td><td>SLO</td><td>12</td><td>-</td></tr> <tr><td>6</td><td>SLO</td><td>13</td><td>-</td></tr> <tr><td>7</td><td>OV</td><td>14</td><td>+5V</td></tr> <tr><td colspan="2">PLATE</td><td colspan="2">SHIELD</td></tr> </tbody> </table> <p>1. Motor Side Connector • CONNECTOR[D-SUB] : DA-15PF-N(Female) • CONNECTOR CASE[D-SUB] : SK-15H-1A</p> <p>2. Drive Side Connector • CASE Spec: 10314-52A0-008(3M) • CONNECTOR Spec: 10114-3000VE(3M)</p> <p>3. Cable Spec.: 3P×0.25Q or 3P×24AWG</p>	PIN No.	Encoder Signal	PIN No.	Encoder Signal	1	MA	9	+5V	2	SLO	10	-	3	-	11	-	4	OV	12	-	5	SHELD	13	-	6	MA	14	-	7	SLO	15	-	8	-	-	-	PIN No.	Encoder Signal	PIN No.	Encoder Signal	1	-	8	-	2	-	9	-	3	MA	10	-	4	MA	11	-	5	SLO	12	-	6	SLO	13	-	7	OV	14	+5V	PLATE		SHIELD	
PIN No.	Encoder Signal	PIN No.	Encoder Signal																																																																										
1	MA	9	+5V																																																																										
2	SLO	10	-																																																																										
3	-	11	-																																																																										
4	OV	12	-																																																																										
5	SHELD	13	-																																																																										
6	MA	14	-																																																																										
7	SLO	15	-																																																																										
8	-	-	-																																																																										
PIN No.	Encoder Signal	PIN No.	Encoder Signal																																																																										
1	-	8	-																																																																										
2	-	9	-																																																																										
3	MA	10	-																																																																										
4	MA	11	-																																																																										
5	SLO	12	-																																																																										
6	SLO	13	-																																																																										
7	OV	14	+5V																																																																										
PLATE		SHIELD																																																																											

DD Motor Power Cable


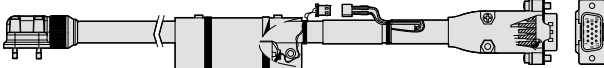
Type	Product Type	Model Name <small>Note1</small>	Applicable Drive <small>Note2</small>	Applicable Motor	Specifications												
For Power	Power Cable	APCS-PN □□□YS	L7SA□□□B L7NHA□□□U L7PA□□□U L7NHF□□□U	DB03D/ DB06D/ DB09D/ DC06D/ DC12D/ DC18D/ DD12D/ DD22D/ DD34D/ DE40D/ DE60D	 <p>1. Motor Side Connector • PLUG Spec: NJC-24-4-ADF(Female)</p> <p>2. Drive Side Connector(U,V,W,FG) • U, V, W Pin Spec.: 1512 • FG Pin Spec.: 1.5x4(Ring Terminal)</p> <p>3. Cable Spec.: 4C×1.5SQ, LAPP Cable (P/N : 00257001)</p> <table border="1"> <thead> <tr> <th>Item</th> <th>PIN No.</th> <th>Signal</th> </tr> </thead> <tbody> <tr><td rowspan="4">Motor</td><td>1</td><td>U</td></tr> <tr><td>2</td><td>V</td></tr> <tr><td>3</td><td>W</td></tr> <tr><td>4</td><td>Ground</td></tr> </tbody> </table>	Item	PIN No.	Signal	Motor	1	U	2	V	3	W	4	Ground
Item	PIN No.	Signal															
Motor	1	U															
	2	V															
	3	W															
	4	Ground															
For Power	Power Cable	APCS-PN □□□ZS	L7SA□□□B L7NHA□□□U L7PA□□□U L7NHF□□□U	DFA1G/ DFA6G/ DGC3S	 <p>1. Motor Side Connector • PLUG Spec: NJC-24-4-ADF(Female)</p> <p>2. Drive Side Connector • U, V, W Pin Spec.: 2512 • FG Pin Spec.: 2.5x4(Ring Terminal)</p> <p>3. Cable Spec.: 4C×2.5SQ, LAPP Cable (P/N : 00257011)</p> <table border="1"> <thead> <tr> <th>Item</th> <th>PIN No.</th> <th>Signal</th> </tr> </thead> <tbody> <tr><td rowspan="4">Motor</td><td>1</td><td>U</td></tr> <tr><td>2</td><td>V</td></tr> <tr><td>3</td><td>W</td></tr> <tr><td>4</td><td>Ground</td></tr> </tbody> </table>	Item	PIN No.	Signal	Motor	1	U	2	V	3	W	4	Ground
Item	PIN No.	Signal															
Motor	1	U															
	2	V															
	3	W															
	4	Ground															

Note1 □□□ of Model Name indicates the kind and length of cable. And the declaration is as below.

Cable Length(m)	1	2	3	...	18	19	20
General Cable	N01	N02	N03	...	N18	N19	N20
Robotic Cable	F01	F02	F03	...	F18	F19	F20

Note2 □□□ of model name indicates the capacity of drive. And the declaration is as page 16 / 22 / 32 / 38 / 48 / 52 / 60 / 66page

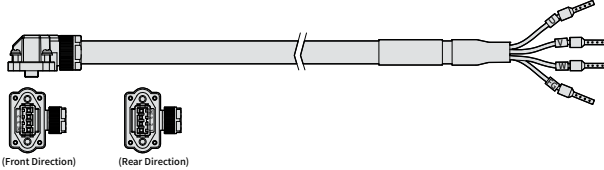
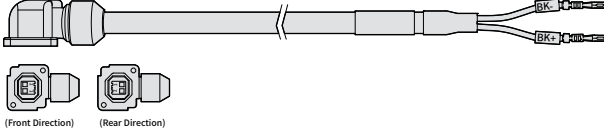
PHOX Series Cable

Type	Product Type	Model Name <small>Note1</small>	Applicable Drive <small>Note2</small>	Applicable Motor	Specifications																																								
For Signal	Encoder Cable (Single-Turn)	APCV-E □□□ ES-□	PHOX Series PHOX-03/ PHOX-06	FAL (Low Voltage) Series (All Models of Low Voltage Motors)	 <table border="1"> <thead> <tr> <th>PIN No.</th> <th>Encoder Signal</th> <th>PIN No.</th> <th>Encoder Signal</th> </tr> </thead> <tbody> <tr> <td>1</td> <td>MA</td> <td>9</td> <td>-</td> </tr> <tr> <td>2</td> <td>SLO</td> <td>10</td> <td>-</td> </tr> <tr> <td>3</td> <td>-</td> <td>11</td> <td>MA</td> </tr> <tr> <td>4</td> <td>0V</td> <td>12</td> <td>MA</td> </tr> <tr> <td>5</td> <td>SHIELD</td> <td>13</td> <td>-</td> </tr> <tr> <td>6</td> <td>MA</td> <td>14</td> <td>-</td> </tr> <tr> <td>7</td> <td>SLO</td> <td>15</td> <td>-</td> </tr> <tr> <td>8</td> <td>-</td> <td>Plate</td> <td>SHIELD</td> </tr> <tr> <td>9</td> <td>+5V</td> <td></td> <td></td> </tr> </tbody> </table> <p>(Motor Connector) (Driver Connector)</p> <ol style="list-style-type: none"> Motor Side Connector <ul style="list-style-type: none"> • CAP Spec: 2201825-1(Tyco) • SOCKET Spec: 2174065-4(Tyco) Drive Side Connector <ul style="list-style-type: none"> • CASE Spec: 5748676-1(Tyco) • CONNECTOR Spec: 10090769-P154ALF(Amphentol FCI) Cable Spec.: 3Px0.25Q or 3Px24AWG 	PIN No.	Encoder Signal	PIN No.	Encoder Signal	1	MA	9	-	2	SLO	10	-	3	-	11	MA	4	0V	12	MA	5	SHIELD	13	-	6	MA	14	-	7	SLO	15	-	8	-	Plate	SHIELD	9	+5V		
				PIN No.	Encoder Signal	PIN No.	Encoder Signal																																						
1	MA	9	-																																										
2	SLO	10	-																																										
3	-	11	MA																																										
4	0V	12	MA																																										
5	SHIELD	13	-																																										
6	MA	14	-																																										
7	SLO	15	-																																										
8	-	Plate	SHIELD																																										
9	+5V																																												
FBL (Low Voltage) Series (All Models of Low Voltage Motors)	 <table border="1"> <thead> <tr> <th>PIN No.</th> <th>Encoder Signal</th> <th>PIN No.</th> <th>Encoder Signal</th> </tr> </thead> <tbody> <tr> <td>1</td> <td>MA</td> <td>9</td> <td>-</td> </tr> <tr> <td>2</td> <td>SLO</td> <td>10</td> <td>-</td> </tr> <tr> <td>3</td> <td>GND_B</td> <td>11</td> <td>MA</td> </tr> <tr> <td>4</td> <td>0V</td> <td>12</td> <td>MA</td> </tr> <tr> <td>5</td> <td>SHIELD</td> <td>13</td> <td>-</td> </tr> <tr> <td>6</td> <td>MA</td> <td>14</td> <td>-</td> </tr> <tr> <td>7</td> <td>SLO</td> <td>15</td> <td>-</td> </tr> <tr> <td>8</td> <td>VDD_B</td> <td>Plate</td> <td>SHIELD</td> </tr> <tr> <td>9</td> <td>+5V</td> <td></td> <td></td> </tr> </tbody> </table> <p>(Battery Connector) (Motor Connector) (Driver Connector)</p> <ol style="list-style-type: none"> Motor Side Connector <ul style="list-style-type: none"> • CAP Spec: 2201825-1(Tyco) • SOCKET Spec: 2174065-4(Tyco) Drive Side Connector <ul style="list-style-type: none"> • CASE Spec: 5748676-1(Tyco) • CONNECTOR Spec: 10090769-P154ALF(Amphentol FCI) Cable Spec.: 4Px0.25Q or 4Px24AWG BATTERY CONNECTOR Spec: 5267-02A(MOLEX) 	PIN No.	Encoder Signal	PIN No.	Encoder Signal	1	MA	9	-	2	SLO	10	-	3	GND_B	11	MA	4	0V	12	MA	5	SHIELD	13	-	6	MA	14	-	7	SLO	15	-	8	VDD_B	Plate	SHIELD	9	+5V						
PIN No.	Encoder Signal	PIN No.	Encoder Signal																																										
1	MA	9	-																																										
2	SLO	10	-																																										
3	GND_B	11	MA																																										
4	0V	12	MA																																										
5	SHIELD	13	-																																										
6	MA	14	-																																										
7	SLO	15	-																																										
8	VDD_B	Plate	SHIELD																																										
9	+5V																																												

Note1 □□□ of Mode (Name indicates the kind and length of cable. And the declaration is as below.
 In case of □ marked product, the connector can draw in a direction of Front(load)/Rear(half load).(Front Type: Nomark, Rear Type: -R)
 In case of FAL Type, the connector can draw in a direction of Front.

Cable Length(m)	1	2	3	...	18	19	20
General Cable	N01	N02	N03	...	N18	N19	N20
Robotic Cable	F01	F02	F03	...	F18	F19	F20

Note2 □□□ of model name indicates the capacity of drive. And the declaration is as page 16 / 22 / 32 / 38 / 48 / 52 / 60 / 66page

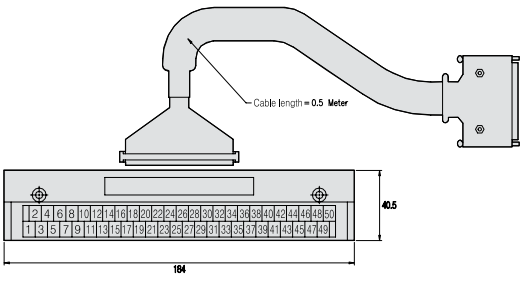
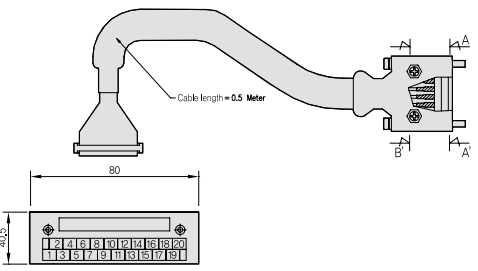
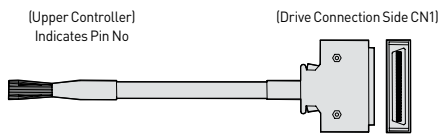
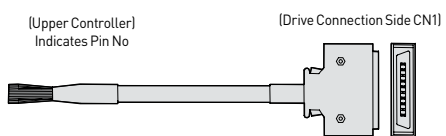
Type	Product Type	Model Name ^{Note1}	Applicable Drive ^{Note2}	Applicable Motor	Specifications										
For Power	Power Cable	APCV-P □□□LS -□	PHOX Series PHOX-03/ PHOX-06	FAL (Low Voltage) Series (All Models of Low Voltage Motors) FBL (Low Voltage) Series (All Models of Low Voltage Motors)	 <p>1. Motor Side Connector</p> <ul style="list-style-type: none"> • CAP Spec: SM-JN8FT04N(Suntone) • SOCKET Spec: SMS-201(Suntone) <p>2. Drive Side Connector</p> <ul style="list-style-type: none"> • U, V, W Pin Spec: F1506 • FG Pin Spec: F1506 • Cable Spec.: 4Cx0.75SQ or 4Cx18AWG <table border="1"> <thead> <tr> <th>PIN No.</th> <th>Signal</th> </tr> </thead> <tbody> <tr> <td>1</td> <td>U</td> </tr> <tr> <td>2</td> <td>V</td> </tr> <tr> <td>3</td> <td>W</td> </tr> <tr> <td>PE</td> <td>Ground</td> </tr> </tbody> </table>	PIN No.	Signal	1	U	2	V	3	W	PE	Ground
PIN No.	Signal														
1	U														
2	V														
3	W														
PE	Ground														
For Power	Brake Cable	APCV-B □□□QS	PHOX Series PHOX-03/ PHOX-06	FAL (Low Voltage) Series (All Models of Low Voltage Motors) FBL (Low Voltage) Series (All Models of Low Voltage Motors)	 <p>1. Motor Side Connector</p> <ul style="list-style-type: none"> • CAP Spec: KN5FT02SJ1(JAE) • SOCKET Spec: ST-KN-S-C1B-3500(JAE) <p>2. Drive Side Connector</p> <ul style="list-style-type: none"> • Connecting Terminal Spec.: CC79X-2024-01-X <p>3. Cable Spec.: 2Cx0.55Q or 2Cx20AWG</p> <table border="1"> <thead> <tr> <th>PIN No.</th> <th>Signal</th> </tr> </thead> <tbody> <tr> <td>1</td> <td>+</td> </tr> <tr> <td>2</td> <td>-</td> </tr> </tbody> </table>	PIN No.	Signal	1	+	2	-				
PIN No.	Signal														
1	+														
2	-														

Note1) □□□ of Mode (Name indicates the kind and length of cable. And the declaration is as below.

Cable Length(m)	1	2	3	...	18	19	20
General Cable	N01	N02	N03	...	N18	N19	N20
Robotic Cable	F01	F02	F03	...	F18	F19	F20

Note2) □□□ of model name indicates the capacity of drive. And the declaration is as page 16 / 22 / 32 / 38 / 48 / 52 / 60 / 66page

Signal Cable

Type	Product Type	Model Name ^{Note1)}	Applicable Drive ^{Note2)}	Specifications
T/B	CN1 T/B	APC-VSCN1T-□□	L7S□□□□B L7PA□□□□U L7CA□□□□U	 <ul style="list-style-type: none"> VS/S Series CN1 T/B Available Cable Length: 0.5[m], 1[m], 1.5[m], 2[m], 3[m]
	CN1 T/B	APCS-L7NCN1T-□□	L7NH□□□□U	 <ul style="list-style-type: none"> L7N□ CN1 T/B Available Cable Length: 0.5[m], 1[m], 1.5[m], 2[m]
For Signal	CN1 Cable	APC-CN1-□□□A	L7S SERIES L7P SERIES L7CA□□□□U	 <p>Drive Side Connection(CN1)</p> <ul style="list-style-type: none"> CASE Spec. : 10350-52A0-008(3M) CONNECTOR Spec. : 10150-3000VE(3M) CABLE Spec. : 20276-SB 25P(AWG28)
For Signal	CN1 Cable	APCS-CN1-□□□A	L7NH SERIES	 <p>Drive Side Connection(CN1)</p> <ul style="list-style-type: none"> CASE Spec. : 10320-52A0-008(3M) CONNECTOR Spec. : 10120-3000VE(3M) CABLE Spec. : ROW-SB0.1C×20C(AWG28)

Note1) □□□ of Model Name indicates the kind and length of cable. And the declaration is as below.

Cable Length(m)	3	5	10	20
General Cable(N)	N03	N05	N10	N20
Robotic Cable(F)	F03	F05	F10	F20

APC-VSCN1T

Cable Length(m)	0.5	1	1.5	2	3
Declaration	None	01	015	02	03

APCS-L7NCN1T

Cable Length(m)	0.5	1	1.5	2
Declaration	None	01	015	02

Note2) □□□ of model name indicates the capacity of drive. And the declaration is as page 16 / 22 / 32 / 38 / 48 / 52 / 60 / 66page

L7C CN1 Pin Map

L7S/L7C

NO	PIN Function	NO	PIN Function	NO	PIN Function	NO	PIN Function	NO	PIN Function
1	TRQCOM	11	PR+	21	SPD3	31	/BO	41	RDY
2		12	PR-	22	SPD2	32	A0	42	
3		13		23	SPD1	33	/A0	43	ZSPD
4	Z0	14	AL02	24	GND24	34	+12VA	44	BRAKE
5	/Z0	15	AL01	25	GND24	35	-12VA	45	INPOS
6		16	AL00	26		36	SG	46	DIR
7		17	ALMRST	27	SPDCOM	37	GND	47	SVON
8	GND	18	EMG	28	MINIY1	38	ALARM+	48	STOP
9	PF+	19	CWLIM	29	MINIY2	39	ALARM-	49	PULCOM
10	PF-	20	CCWLIM	30	B0	40	RDY+	50	+24VIN

L7P

NO	PIN Function	NO	PIN Function	NO	PIN Function	NO	PIN Function	NO	PIN Function
1	A0	11	+24V IN	21	+24V IN	31	PF+	41	INPOS1+
2	/A0	12	SVON	22	HOME	32	PF-	42	INPOS1-
3	B0	13	POT	23	H-START	33	PR+	43	ORG+
4	/B0	14	NOT	24	ISEL0	34	PR-	44	ORG-
5	Z0	15	A-RST	25	ISEL1	35	ALARM+	45	EOS+
6	/Z0	16	START	26	ISEL2	36	ALARM-	46	EOS-
7	A-TLMT	17	STOP	27	ISEL3	37	RDY+	47	TGON+
8	AGND	18	REGT	28	ISEL4	38	RDY-	48	TGON-
9	A-OVR	19	EMG	29	ISEL5	39	BRAKE+	49	TLMT+
10	AGND	20		30	PULCOM	40	BRAKE-	50	TLMT-

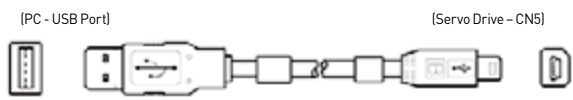
L7NH

NO	PIN Function	NO	PIN Function
1	BRAKE+	11	POT
2	BRAKE-	12	NOT
3	RDY+	13	PCON
4	RDY-	14	GAIN2
5	AGND	15	A-TLMT
6	+24V IN	16	
7	HOME	17	RDY+
8	STOP	18	RDY-
9	PCL	19	ZSPD+
10	NCL	20	ZSPD-

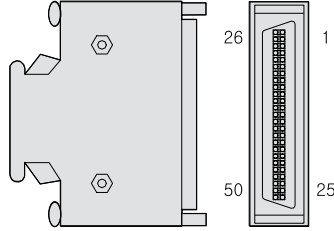
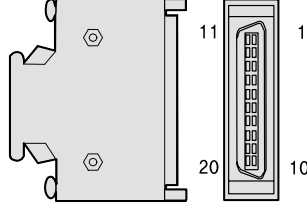
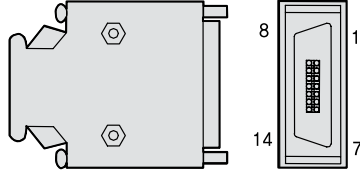
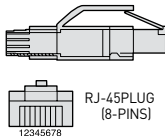

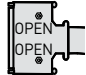
iX7NH

NO	PIN Function	NO	PIN Function
1	BRAKE	11	POT
2	DOCOM	12	NOT
3	ALARM	13	PCON
4	READY	14	GAIN2
5	AGND	15	A-TLMT
6	+24V IN	16	GND
7	HOME	17	Z0
8	STOP	18	/Z0
9	A0	19	B0
10	/A0	20	/B0

Signal Cable / Connector

Type	Product Type	Model Name	Applicable Drive	Specifications
For Signal	Communication Cable	APC-CN5L7U	All Models of L7 SERIES	 <ul style="list-style-type: none"> • PC Side Connector : USB A Plug • Drive Side Connector(CN5) : Mini USB 5P Plug • Electric Requirements Spec : Double Shielded, Twisted Pair, EMI-filter attached type [Ex. : KU-AMB518, SANWA] • Only 1.8m length of cable is available to use

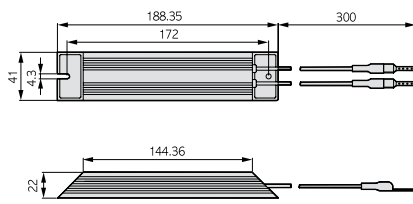
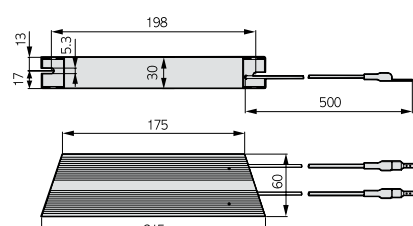
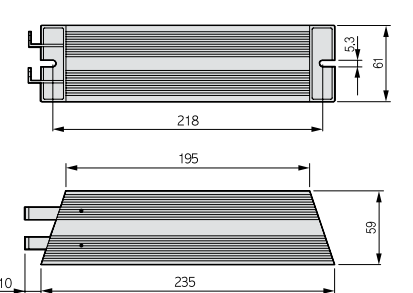
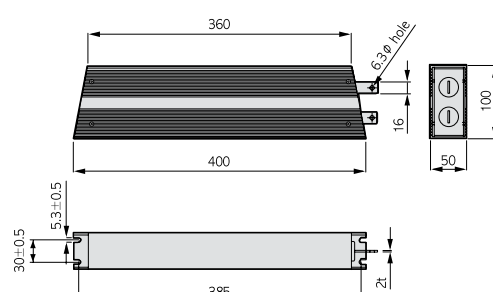
Connector

Type	Product Type	Model Name	Applicable Drive ^{Note1)}	Specifications																														
CN	CN1 Connector	APC-CN1NNA	L7S□□□B L7CA□□□U L7PA□□□U	 <ul style="list-style-type: none"> • CASE Spec. : 10350-52A0-008(3M) • CONNECTOR Spec. : 10150-3000VE(3M) 																														
CN	CN1 Connector	APC-CN2NNA	L7NH□□□U	 <ul style="list-style-type: none"> • CASE Spec. : 10320-52A0-008(3M) • CONNECTOR Spec. : 10120-3000VE(3M) 																														
CN	CN2 Connector	APC-CN3NNA	All models of L7 Series	 <ul style="list-style-type: none"> • CASE Spec. : 10314-52A0-008(3M) • CONNECTOR Spec. : 10114-3000VE(3M) 																														
CN	CN3 CN4 EtherCAT Connector	APCS-CN4NNA	L7NH□□□U L7NHF□□□U	 <table border="1"> <thead> <tr> <th>PIN No.</th> <th>Signal</th> <th>Line Color</th> </tr> </thead> <tbody> <tr> <td>1</td> <td>TX/RX0 Plus</td> <td>White/Orange</td> </tr> <tr> <td>2</td> <td>TX/RX0 Minus</td> <td>Orange</td> </tr> <tr> <td>3</td> <td>TX/RX1 Plus</td> <td>White/Green</td> </tr> <tr> <td>4</td> <td>TX/RX2 Plus</td> <td>Blue</td> </tr> <tr> <td>5</td> <td>TX/RX2 Minus</td> <td>White/Blue</td> </tr> <tr> <td>6</td> <td>TX/RX1 Minus</td> <td>Green</td> </tr> <tr> <td>7</td> <td>TX/RX3 Plus</td> <td>White/Brown</td> </tr> <tr> <td>8</td> <td>TX/RX3 Minus</td> <td>Brown</td> </tr> <tr> <td colspan="2">PLATE</td> <td>SHILDE</td> </tr> </tbody> </table> <p>* EtherCAT use only 4 Signal(1, 2, 3, 6)</p>	PIN No.	Signal	Line Color	1	TX/RX0 Plus	White/Orange	2	TX/RX0 Minus	Orange	3	TX/RX1 Plus	White/Green	4	TX/RX2 Plus	Blue	5	TX/RX2 Minus	White/Blue	6	TX/RX1 Minus	Green	7	TX/RX3 Plus	White/Brown	8	TX/RX3 Minus	Brown	PLATE		SHILDE
PIN No.	Signal	Line Color																																
1	TX/RX0 Plus	White/Orange																																
2	TX/RX0 Minus	Orange																																
3	TX/RX1 Plus	White/Green																																
4	TX/RX2 Plus	Blue																																
5	TX/RX2 Minus	White/Blue																																
6	TX/RX1 Minus	Green																																
7	TX/RX3 Plus	White/Brown																																
8	TX/RX3 Minus	Brown																																
PLATE		SHILDE																																
CN	CN6 Connector	APCS-CN6K	L7NH□□□U	 <p>Pin No.</p>  <p>Wiring Schematic</p> <ul style="list-style-type: none"> • MINI I/O By-pass Connector : 1971153(TE) 																														

Note1) □□□ of model name indicates the capacity of drive. And the declaration is as page 16 / 22 / 32 / 38 / 48 / 52 / 60 / 66page

200V Braking Resistor

*Option braking resistors are selectable items for user's need.

Type	Product Type	Model Name ^{Note1}	Applicable Drive ^{Note2}	Specifications
Resistor	Braking Resistor	APCS-140R50 (50Ω/140W)	L7□A001□ L7□A002□ L7□A004□	 <ul style="list-style-type: none"> • IRH140-50Ω
Resistor	Braking Resistor	APCS-300R30 (30Ω/300W)	L7□A008□ L7□A010□	 <ul style="list-style-type: none"> • IRV300-30Ω
Resistor	Braking Resistor	APC-600R30 ×3P(Parallel) (30Ω/600W ×3P(Parallel) =10Ω/1800W)	L7□A020□ L7□A035□	 <ul style="list-style-type: none"> • IRV600-30Ω • IRV600-28Ω <p>Note) IRV 600W 30Ω and 600W 28Ω have the same external dimensions.</p>
		APC-600R28 ×4P(Parallel) (28Ω/600W ×4P(Parallel) =7Ω/2400W)	L7□A050□ L7□A075□	
Resistor	Braking Resistor	APCS-2000R3R3 (3.3Ω/2000W)	L7□A150□	 <ul style="list-style-type: none"> • IRM2000-3.3Ω

Note1) 100W~7.5kW has the internal basic braking resistor. If the machine requires short deceleration time frequently, refer to table above and apply the appropriate braking resistor.

Note2) □□□ of model name indicates the capacity of drive. And the declaration is as page 16 / 22 / 32 / 38 / 48 / 52 / 60 / 66page

400V Braking Resistor

*Option braking resistors are selectable items for user's need.

Type	Product Type	Model Name ^{Note1}	Applicable Drive ^{Note2}	Specifications
Resistor	Braking Resistor	APCS-300R82 (82Ω/300W)	L7□B010□	<p>• IRV300-82Ω</p>
Resistor	Braking Resistor	APCS-600R75 ×2P(Parallel) (75Ω/600W ×2P(Parallel) =37.5Ω/1200W)	L7□A020□ L7□A035□	<p>• IRV600-75Ω</p>
Resistor	Braking Resistor	APCS-600R75 ×3P(Parallel) (75Ω/600W ×3P(Parallel) =25Ω/1800W)	L7□A050□ L7□A075□	<p>• IRV600-75Ω</p>
Resistor	Braking Resistor	APCS-2000R13R4 (13.4Ω/2000W)	L7□B150□	<p>• IRM2000-13.4Ω</p>

Note1) 100W~7.5kW has the internal basic braking resistor. If the machine requires short deceleration time frequently, refer to table above and apply the appropriate braking resistor.

Note2) □□□ of model name indicates the capacity of drive. And the declaration is as page 16 / 22 / 32 / 38 / 48 / 52 / 60 / 66page

Noise Filter

Type	Product Type	Model Name	Applicable Drive ^{Note2)}	Specifications
Resistor	Noise Filter	APCS-TB6-B010LBEI	L7□A 001□ L7□A 002□ L7□A 004□ L7□A 008□ L7□A 010□ L7□B 010□	
		APCS-TB6-B020NBDC	L7□B 020□ L7□B 035□	
		APCS-TB6-B030NBDC	L7□A 020□ L7□A 035□ L7□B 050□	
		APCS-TB6-B040AS	L7□A 050□ L7□B 075□	
		APCS-TB6-B060LAS	L7□B 150□	

^{Note2)} □□□ of model name indicates the capacity of drive. And the declaration is as page 16 / 22 / 32 / 38 / 48 / 52 / 60 / 66page





Application

Contents

Motion Module [EtherCAT]	132
Positioning Module [Network Type]	133
Positioning Module [APM]	134
Positioning Module [XPM]	135
XG-PM	136
Positioning Module/ External Device Interface	137

Features

- 32 axes (master) and 4 axes (virtual) control
- EtherCAT CoE supported servo drive
- Communication cycle : 1ms
- Built-in DI/DO 8 points each and EtherCAT I/O 256 points
- Program 2MB
- External encoder input 2ch (line drive)
- Max. transmission distance : 100m



Specifications

Item		XGF-M32E
Communication		EtherCAT (CoE : CANopen over EtherCAT)
Number of Axis	Real	32 axes
	Virtual	4 axes
	I/O	Input/output 8 points each (built-in) EtherCAT I/O connection available
Control Period		1ms, 2ms, 4ms (same as main task period)
Control Unit		Pulse, mm, inch, degree
I/O	Internal	Input 8 points, output 8 points
	External	EtherCAT I/O 4 ea(max. 256 points)
Motion Program	No. of Program	Max. 256 ea
	Capacity	Max. 2Mbyte
	Language	LD(FB), ST
	Position Data	6400 points/all aixe
Control Method		Position, Velocity, Torque(Servo drivers support) control, Synchronous control, Interpolation control
Range of Position/Velocity		± LREAL, 0
Acc. Dec. Process		Trapezoid type, S-type (Setting to specify the Jerk at function block)
Acc. Dec. Time		2,147,483,647ms
Manual Operation		JOG operation
Torque Unit		Rated torque % designation
Encoder Input	Channel	2 channels
	Max. Input	Max. 500Kpps
	Input Method	Line drive input (RS-422A IEC specification) Open collector output type encoder
	Input Type	CW/CCW, Pulse/Dir, Phase A/B
Max. Distance		100m
Communication Cable		Over CAT.5 STP(Shielded Twisted-pair) cable
Error Indication		Indicated by LED
Communication Dtatus Indication		Indicated by LED
Occupied Point I/O		Variable: 16 point, Fixed: 64 point
Communication Physical Layer		100BASE-TX
Consumable Current [mA]		900
Weight [g]		122

Features

- XGF-PN4B/PN8B : Standard EtherCAT Network Support(Xmotion Servo L7 Series)
- Direct connect with Max.8 servo driver
- 2~8 axis linear interpolation, 2axis circular interpolation, 3axis helical interpolation
- Position, speed, feed control is possible through the various operation
- Parameters, the operation data stored in the FRAM(without Battery)
- CAM for controlling up to eight different types of CAM data



Specifications

Item	XGF-PN4B	XGF-PN8B			
Number of Axis	4 axis	8 axis			
Interpolation	2~8 axis linear, 2axis circular, 3axis helical interpolation				
Control Method	Position, speed, Speed/position, position/speed position/torque, Feed control				
Setting Unit	pulse, mm, inch, degree				
Positioning Data	Each axis has 400 data items (Operation step number 1~400). It is available to set with software package or programming.				
XG-PM	Port	RS-232C, USB			
	Data	Basic, expansion, manual, servo parameter, operation data, cam data, command information			
	Monitor	Operation, trace, input sort, error information			
Back-up	FRAM(parameter, operation data) no battery				
Positioning	Positioning Method	Absolute/Incremental			
	Position Address range		Absolute	Incremental	Speed/position, position/speed conversion control
		mm	-214748364.8 ~ 214748364.7(μm)	-214748364.8 ~ 214748364.7(μm)	-214748364.8 ~ 214748364.7(μm)
		inch	-21474.83648 ~ 21474.83647	-21474.83648 ~ 21474.83647	-21474.83648 ~ 21474.83647
		degree	-21474.83648 ~ 21474.83647	-21474.83648 ~ 21474.83647	-21474.83648 ~ 21474.83647
	Position Speed Range	pulse	-2147483648 ~ 2147483647	-2147483648 ~ 2147483647	-2147483648 ~ 2147483647
		mm	0.01 ~ 20000000.00(mm/min)		
		inch	0.001 ~ 2000000.000(inch/min)		
		degree	0.001 ~ 2000000.000(degree/min)		
		pulse	1 ~ 20,000,000 [pulse/sec]		
RPM	0.1 ~ 100000.0(RPM)				
Accel/Decel Pattern	Trapezoidal & S-curve acceleration/deceleration				
Accel/Decel Time	1~2,147,483,647 ms				
Manual	Jog/ MPG/ inching				
Homing Method	Max+Z(Forward), Min+Z(Backward), Near-point+Z(Forward, Backward), Max+near-point+Z(Forward), Min+near-point+Z(Backward), Z(Forward, Backward), near-point(Forward, Backward)				
The Ability to Change Speed	Absolute/Percent				
Torque	Rated torque %				
Absolute Position System	0 (Absolute encoder type servo)				
Encoder Input	Channel	2 Channel			
	Max. Input	Max. 200 Kpps			
	Input Method	line-drive input(RS-422A IEC), open collector output type			
	Type	CW/CCW, Pulse/Dir, Phase A/B			
Connector	12 Pin connector				
Communication Cycle	800 μs				
Max. Distance	100 m				
Cable	STP(Shielded Twisted-pair) cable				
Error Display	LED				
Operation Display	LED				
Occupied Points of I/O	64points (Fixed type), 16points (Variable type)				
Current Consumption [mA]	500				
Weight [g]	115				

Features

- Highly reliable position control with LS ELECTRIC ASIC-embedded processor
- Enhanced control with fast control processing speed
- High-speed motor control (Max. pulse output: 1Mbps)
- Circular/linear interpolation, separate/synchronous operation
- Trapezoidal & S-curve acceleration/deceleration
- Easy and quick control through external input (JOG operation included)
- Encoder input support
- High-speed processing of command (4ms)
- Easy to set positioning parameters (Windows)
- Monitoring/Tracking/Simulation
- Available to edit operation parameter data in EXCEL
- Self-diagnosis
- Real-time information and solution for each error



Specifications

Item	Specifications			
	XGF-P01A, XGF-PD1A	XGF-P02A, XGF-PD2A	XGF-P03A, XGF-PD3A	
Number of Axis	1 axis	2 axis	3 axis	
Interpolation	-	2-axis linear interpolation, 2-axis circular interpolation	2/3-axis linear interpolation, 2-axis circular interpolation	
Control Method	Position control, speed control, speed/position control, position/speed control			
Setting Unit	Pulse, mm, inch, degree			
Positioning Data	Each axis has 400 data items (Operation step number 1~400). It is available to set with software package or programming.			
Software Package	Available (Connected with RS-232C Port of CPU module)			
Data Backup	Flash memory (No battery)			
Positioning	Positioning Method	Absolute / relative method		
	Position	mm	-214,748,364.8 ~ 214,748,364.7 (μm)	
		Inch	-21,474.83648 ~ 21,474.83647	
	Speed Range	degree	-21,474.83648 ~ 21,474.83647	
		pulse	-21,474,836,648 ~ 2,147,483,647	
	Type	XGF-PO□A: Open collector, XGF-PD□A: Line driver		
	Position	mm	0.01 ~ 20,000,000.00 (mm/min)	
		Inch	0.001 ~ 2,000,000.000 (inch/min)	
	Speed Range	degree	0.001 ~ 2,000,000.000 (degree/min)	
		pulse	XGF-PO□A: 1~200,000 (pulse/sec), XGF-PD□A: 1~1,000,000 (pulse/sec)	
Accel/Decel Pattern	Trapezoidal & S-curve acceleration/deceleration			
Accel/Decel Time	1 ~ 65,535ms			
Max. Output Pulse	XGF-PO□A: 200kpps / XGF-PD□A: 1Mpps			
Max. Distance	XGF-PO□A: 2m / XGF-PD□A: 10m			
Max. Encoder Input	200 kpps			
Error Display	LED			
Operation Display	LED			
Connection Connector	40 Pin connector			
Size of Cable	AWG #24			
Occupied Points of I/O	64 points (Fixed type), 16 points (Variable type)			
Current Consumption [mA]	XGF-P01A: 340	XGF-P02A: 360	XGF-P03A: 400	
	XGF-PD1A: 510	XGF-PD2A: 790	XGF-PD3A: 860	
Weight [g]	120	130	135	

Features

- Max 4Axis, Max pulse output 4Mpps
- Circular/linear/ellipse/helical interpolation
- Asymmetric acceleration and deceleration driving
- FRAM parameter
- XG-PM monitoring, simulation, trace
- CAM profile program




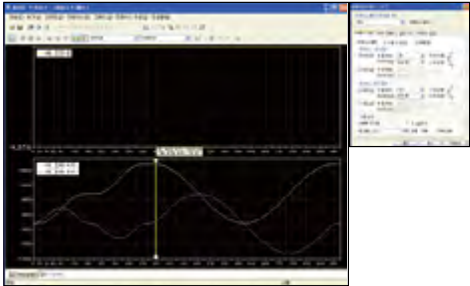
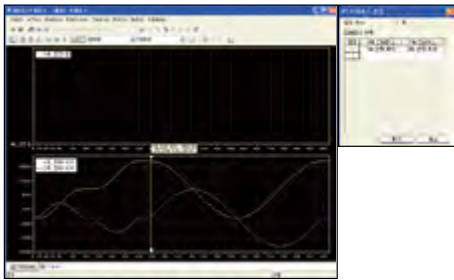
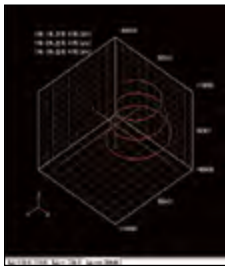
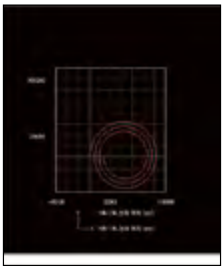
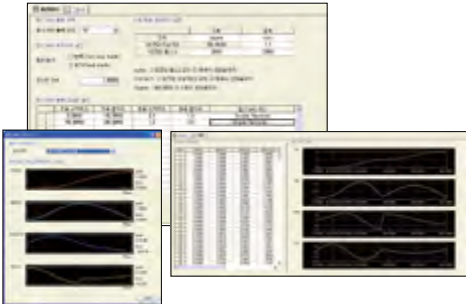

Specifications

Item	XGF-PO1H XGF-PD1H	XGF-PO2H XGF-PD2H	XGF-PO3H XGF-PD3H	XGF-PO4H XGF-PD4H
Number of axis	1 axis	2 axis	3 axis	4 axis
Interpolation	-	Circular, linear, ellipse	Circular, linear, helical, ellipse	
Control method	Position control, speed control, speed/position control, position/speed control, FEED			
Positioning data	Each axis has 400 data items (Operation step number 1~400). It is available to set with XG-PM or programming.			
Configuration Tool	XG-PM (Connected with USB or RS-232C Port of CPU module)			
Data backup	FRAM(Parameter, Operation data), Flash memory (CAM Data), No battery			
Pulse output	XGF-POxH: Open collector, XGF-PDxH: linedriver			
Positioning	Positioning method	Absolute / Incremental		
	Position address range	mm	-214,748,364.8 ~ 214,748,364.7(μm)	
		Inch	-21,474.83648 ~ 21,474.83647	
		degree	-21,474.83648 ~ 21,474.83647	
		pulse	-2,147,483,648 ~ 2,147,483,647	
	Position address speed	mm	0.01 ~ 20,000,000.00(mm/min)	
		inch	0.001 ~ 2,000,000.000(inch/min)	
		degree	0.001 ~ 2,000,000.000(degree/min)	
		pulse	1 ~ 500,000(pulse/sec): Open collector, 1 ~ 4,000,000(pulse/sec): linedriver	
	RPM	0.1 ~ 100,000.0(RPM)		
Accel/Decel pattern	Trapezoidal & S-curve acceleration/deceleration			
Accel/Decel time	0 ~ 2,147,483,647ms			
Max. output pulse	Open collector: 500kpps, linedriver: 4Mpps			
Max. distance	Open collector: 5m, linedriver: 10m			
Max. encoder input	500kpps			
Error display	LED			
Size of cable	AWG #24			
Occupied points of I/O	64 points [Fixed type], 16 points [Variable type]			
Connection connector	40Pin		80Pin	
Current consumption (mA)	XGF-PO1H:400	XGF-PO2H:410	XGF-PO3H:420	XGF-PO4H:430
	XGF-PD1H:520	XGF-PD2H:600	XGF-PD3H:850	XGF-PD4H:890
Weight (g)	120		130	

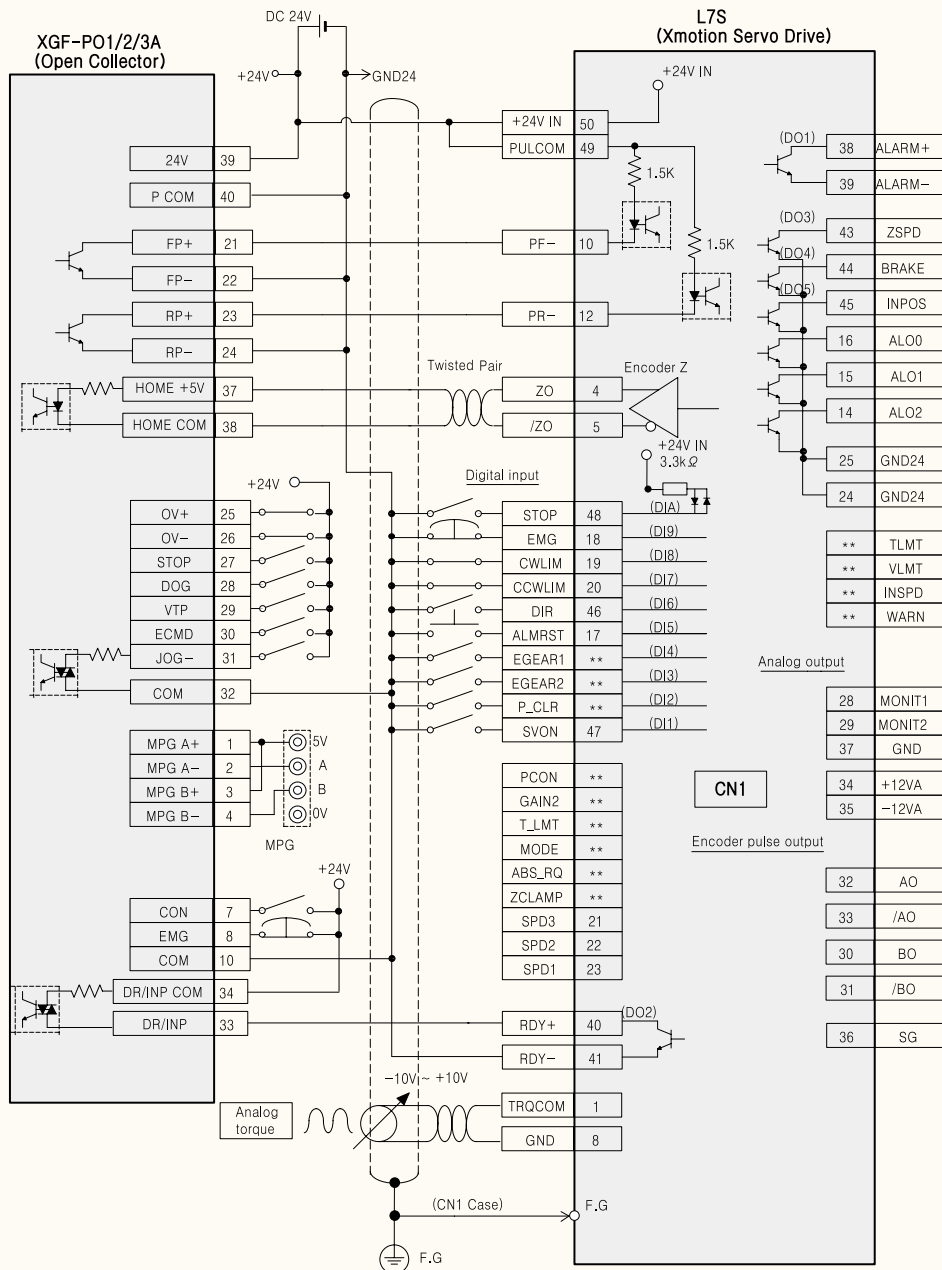
Features

- Configuration tool with updated APM software package
- All models can be used for XGT Positioning & Motion Control Modules
- Simultaneous communications can be accessed with XG5000
- Powerful simulation, trace, monitoring



System View	Data trace(Trend Graph)	
		
Data Trace(XY Graph)	XYZ Trend(3D View)	XYZ Monitor(2D View)
		
CAM Control Profile	Simulation	
		

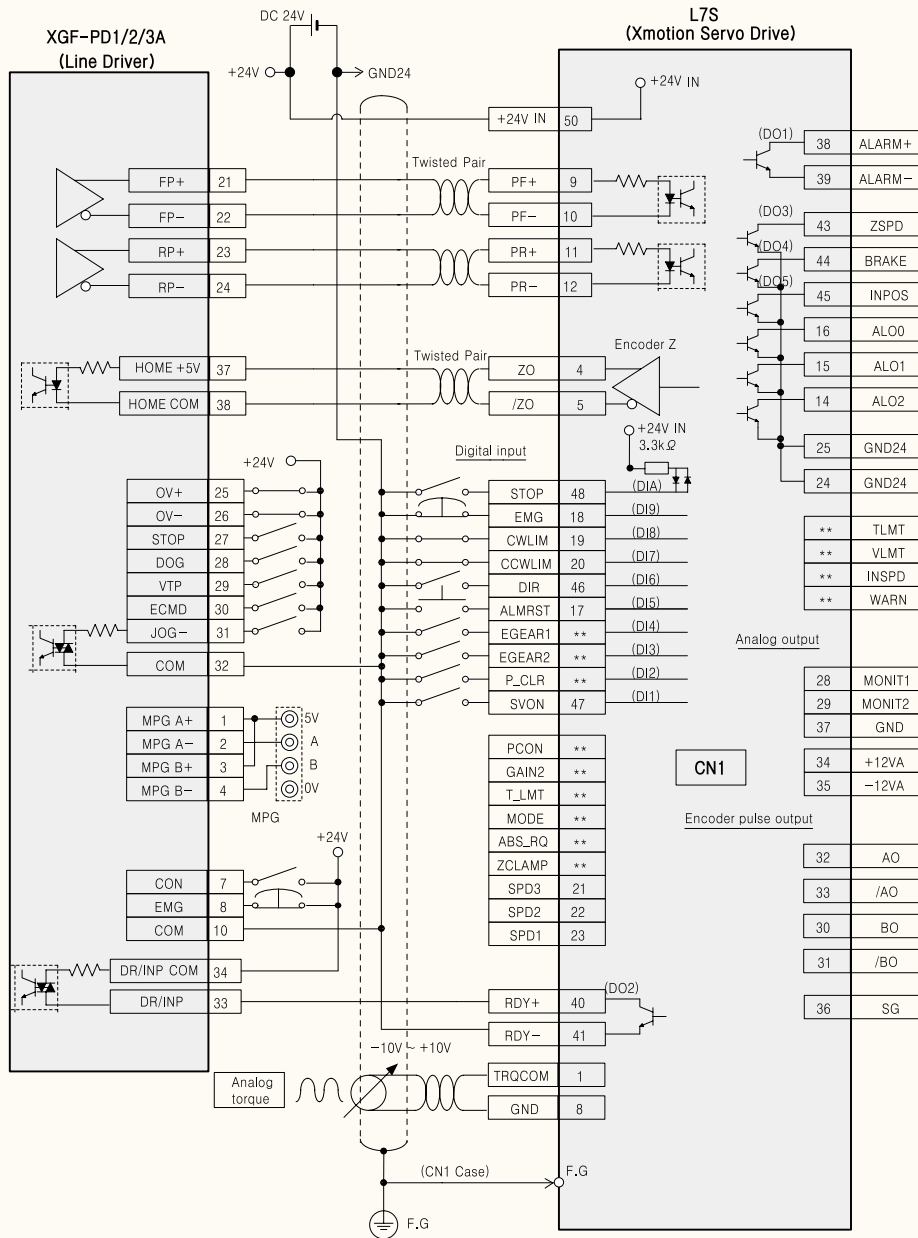
XGF-PO1/2/3A (Open Collector)



Note1) Input signals DI1 to DIA and output signals DO1 to DO5 are default signals allocated by the factory.

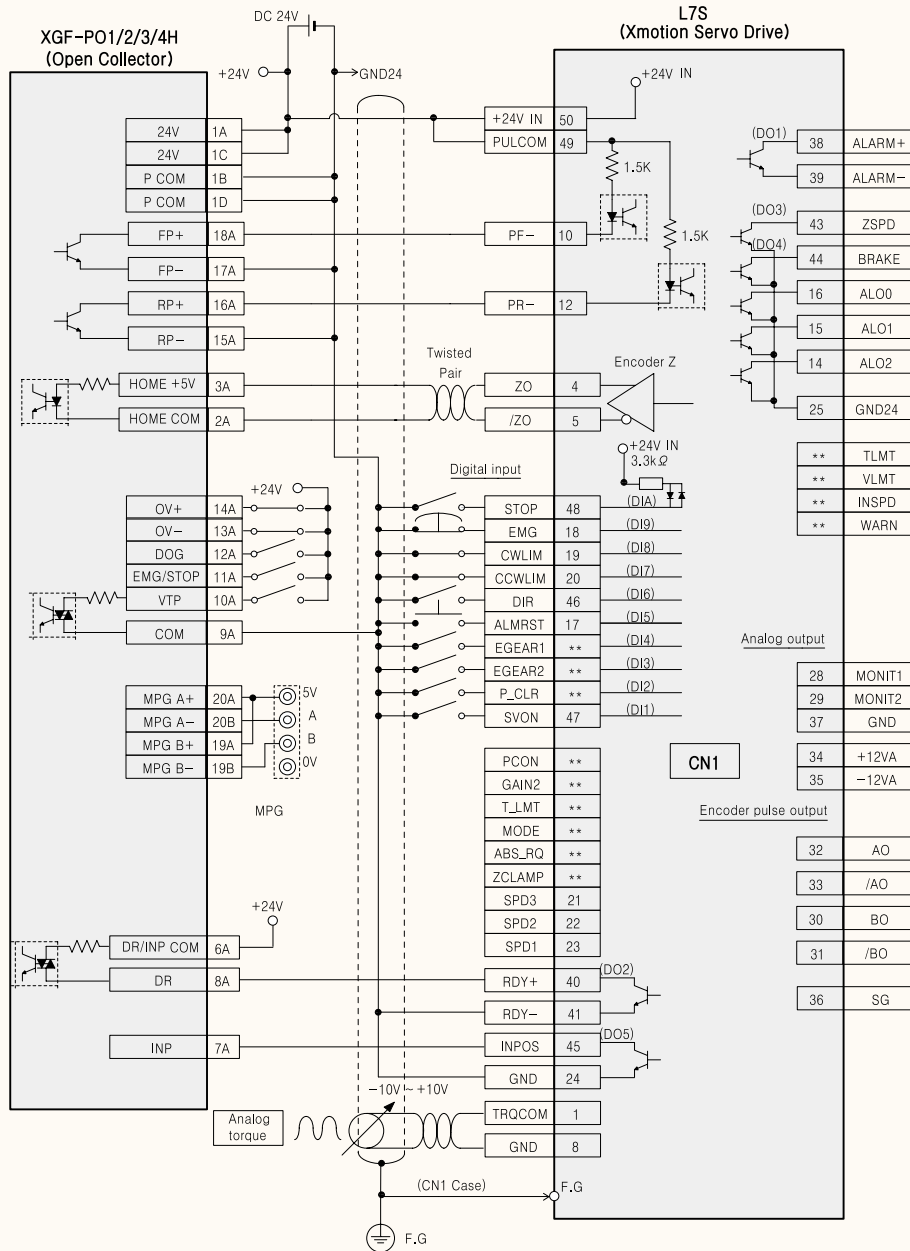
Note2) These are non-allocated signals. You can change their allocation by setting parameters. For more information, refer to XDL/XML servo manual.

XGF-PD1/2/3A (Line Driver)



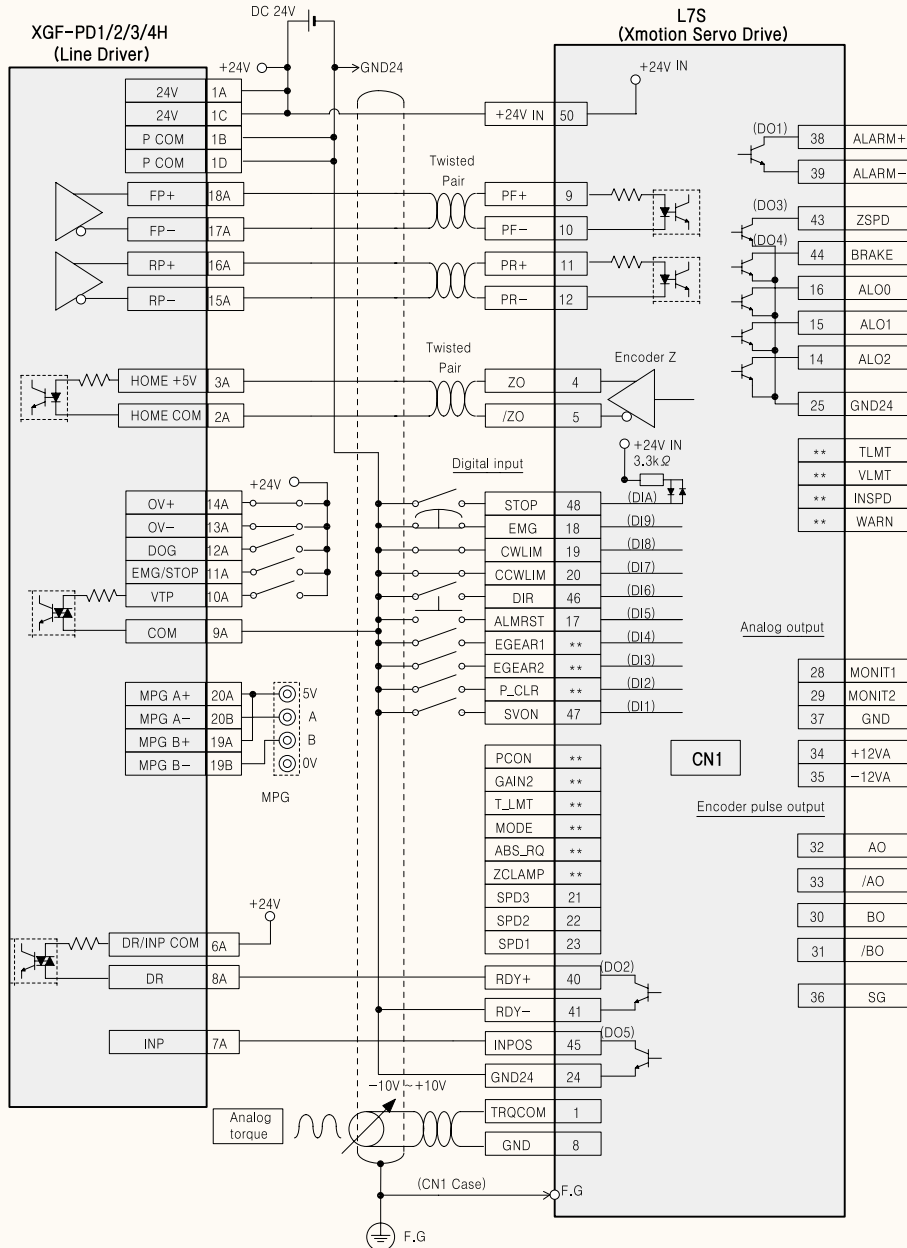
Note1) Input signals DI1 to DIA and output signals DO1 to DO5 are default signals allocated by the factory.
 Note2) These are non-allocated signals. You can change their allocation by setting parameters. For more information, refer to XDL/XML servo manual.

XGF-P01/2/3/4H (Open Collector)



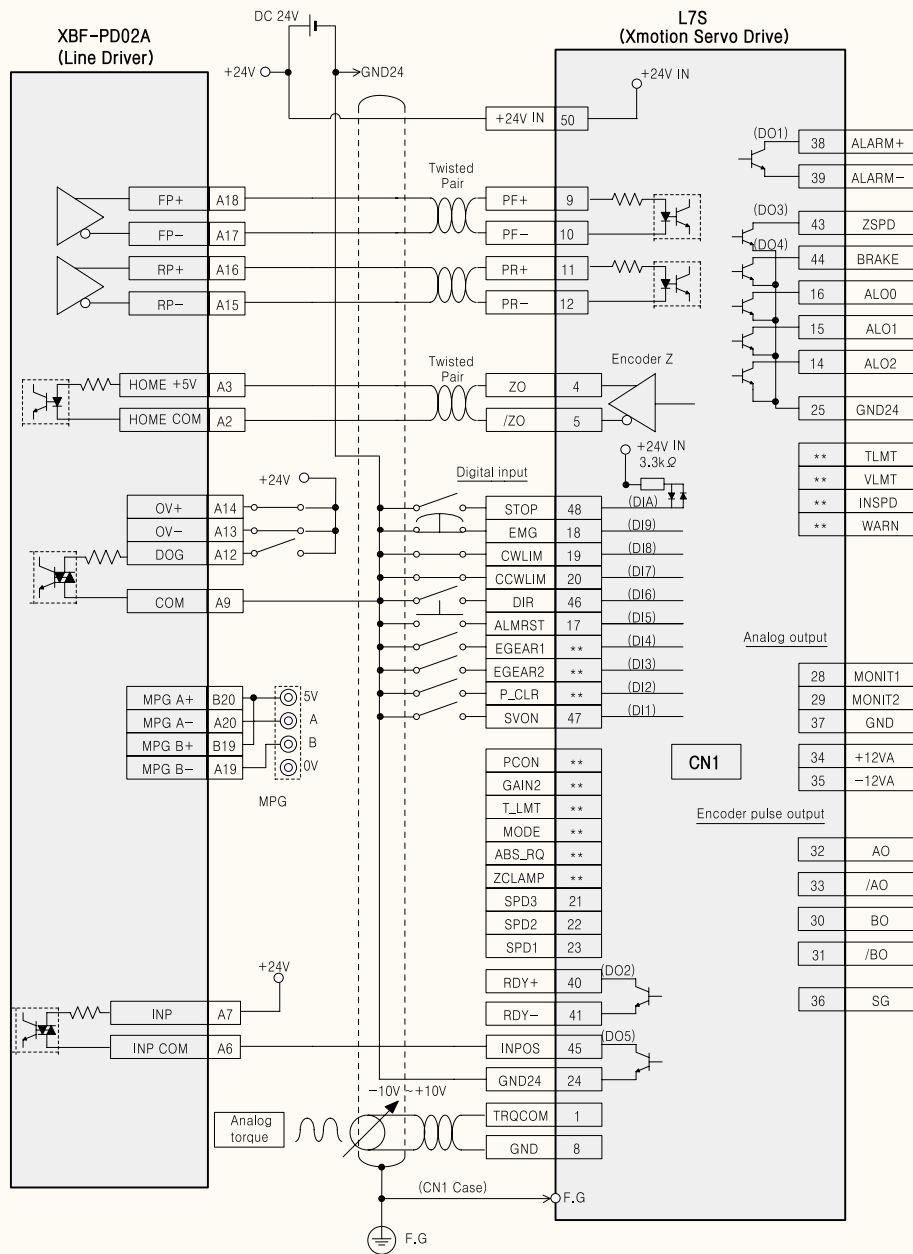
Note1) Input signals DI1 to DIA and output signals DO1 to DO5 are default signals allocated by the factory.
 Note2) These are non-allocated signals. You can change their allocation by setting parameters. For more information, refer to XDL/XML servo manual.

XGF-PD1/2/3/4H(Line Driver)



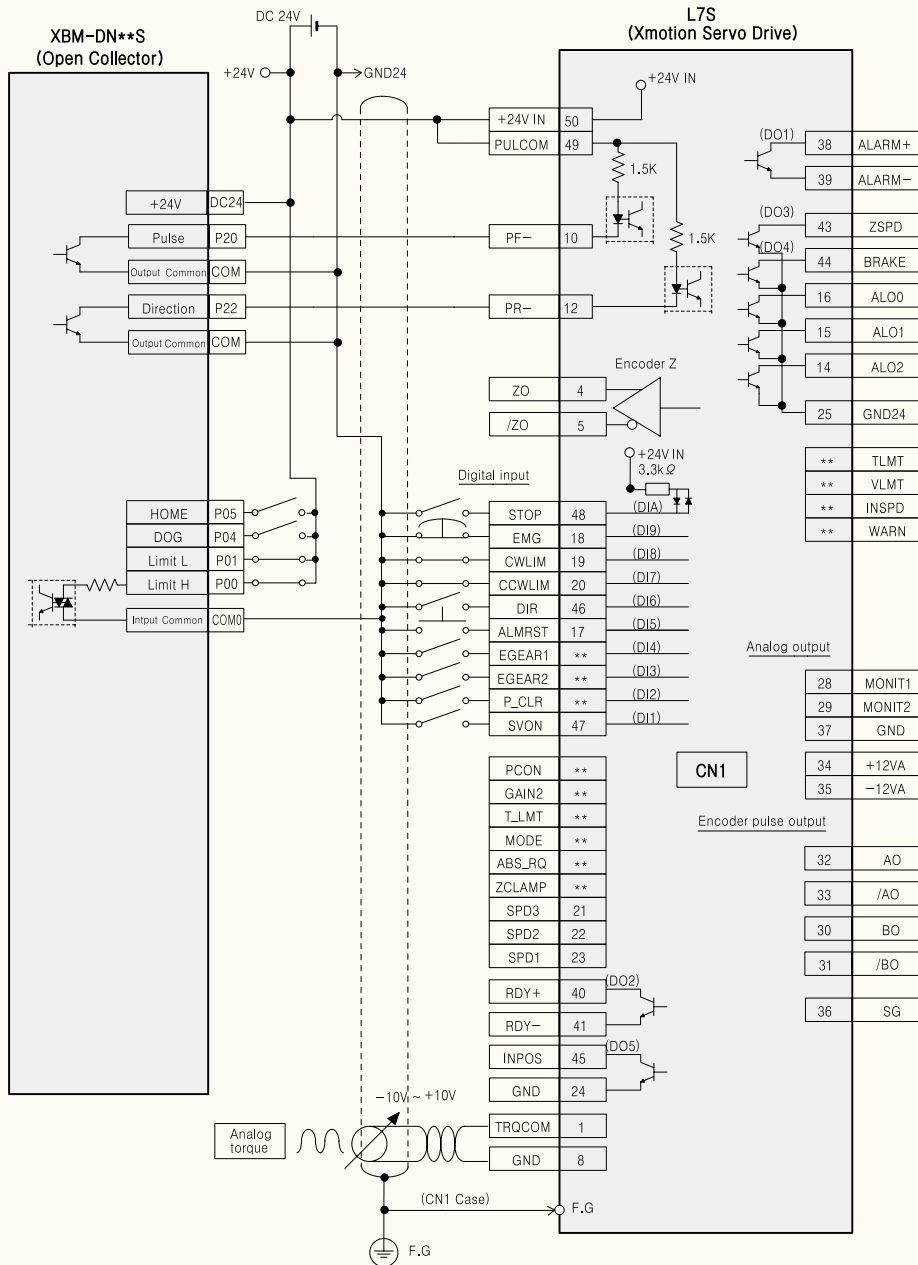
Note1) Input signals DI1 to DIA and output signals DO1 to DO5 are default signals allocated by the factory.
 Note2) These are non-allocated signals. You can change their allocation by setting parameters. For more information, refer to XDL/XML servo manual.

XBF-PD02A(Line Driver)



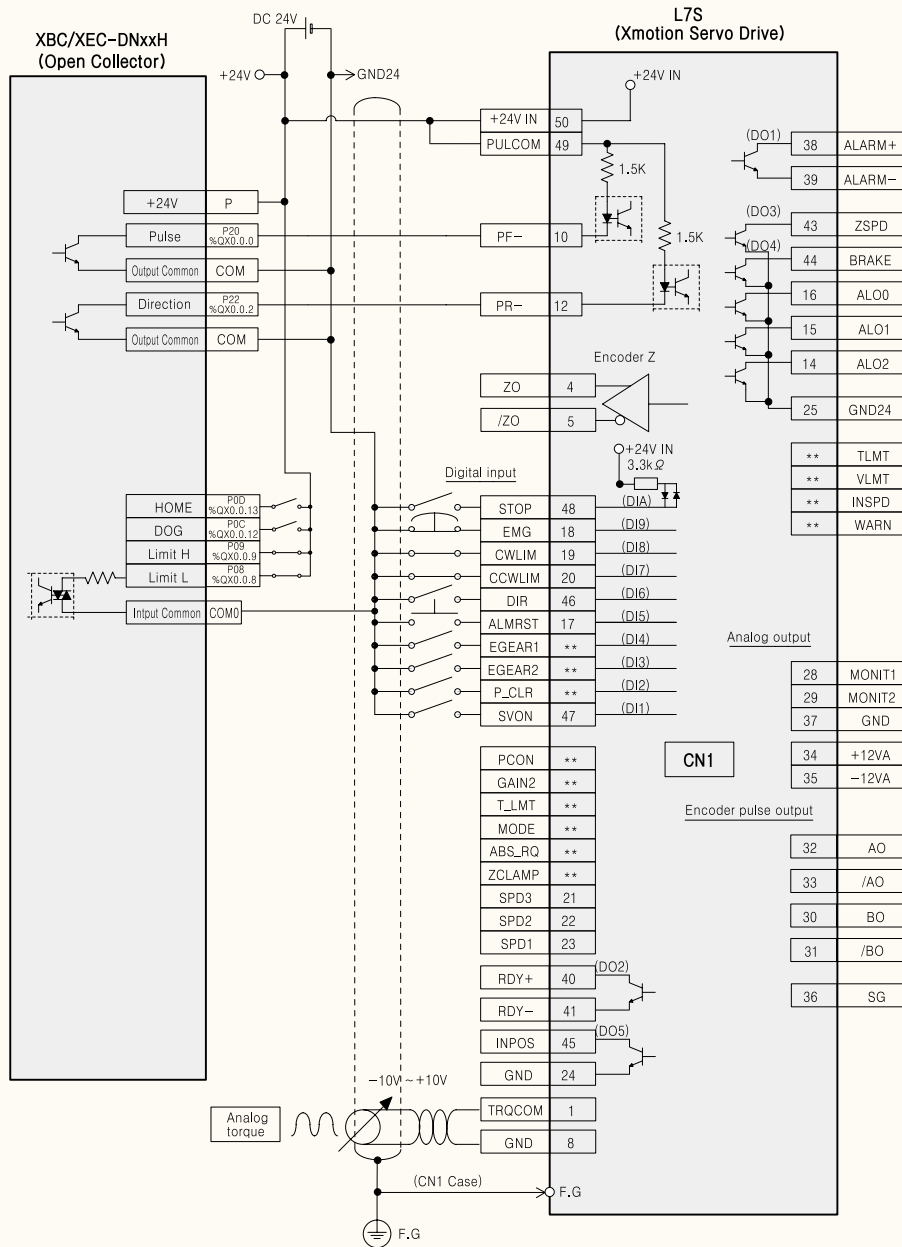
Note1) Input signals DI1 to DIA and output signals DO1 to DO5 are default signals allocated by the factory.
 Note2) These are non-allocated signals. You can change their allocation by setting parameters. For more information, refer to XDL/XML servo manual.

XBM-DN**S(Open Collector)



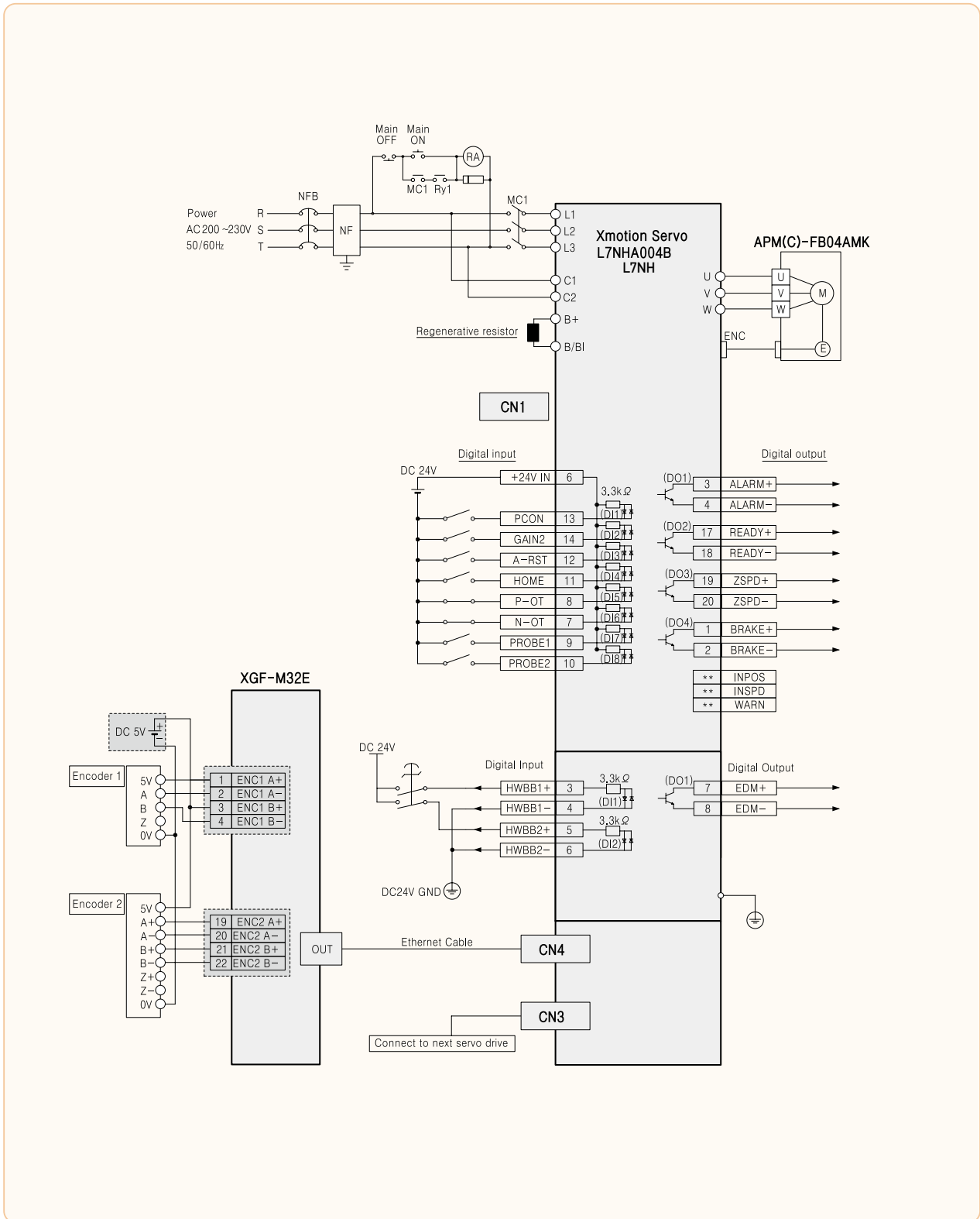
Note1) Input signals DI1 to DIA and output signals DO1 to DO5 are default signals allocated by the factory.
 Note2) These are non-allocated signals. You can change their allocation by setting parameters. For more information, refer to XDL/XML servo manual.

XBC/XEC-DN**H(Open Collector)

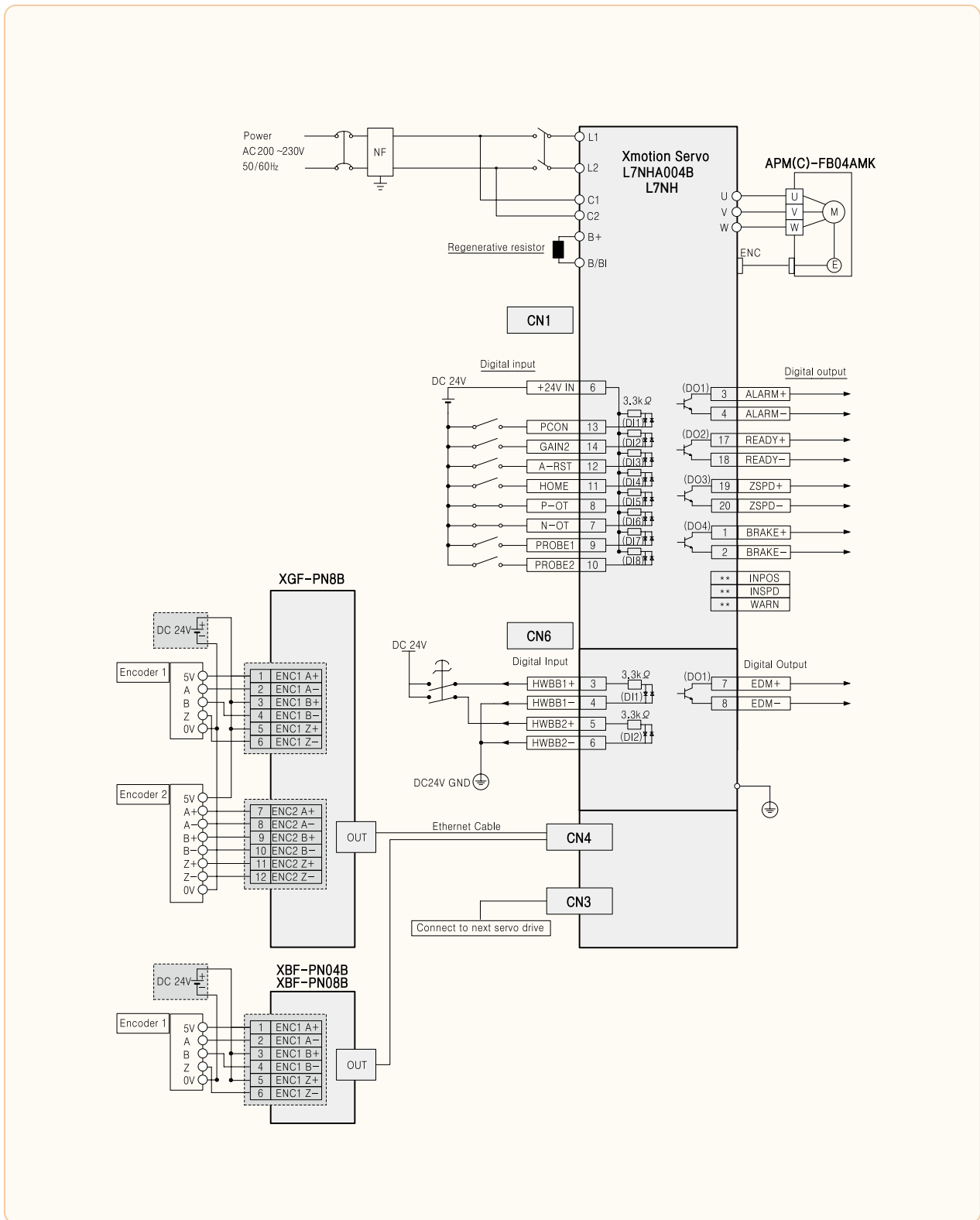


Note1) Input signals DI1 to DIA and output signals DO1 to DO5 are default signals allocated by the factory.
 Note2) These are non-allocated signals. You can change their allocation by setting parameters. For more information, refer to XDL/XML servo manual.

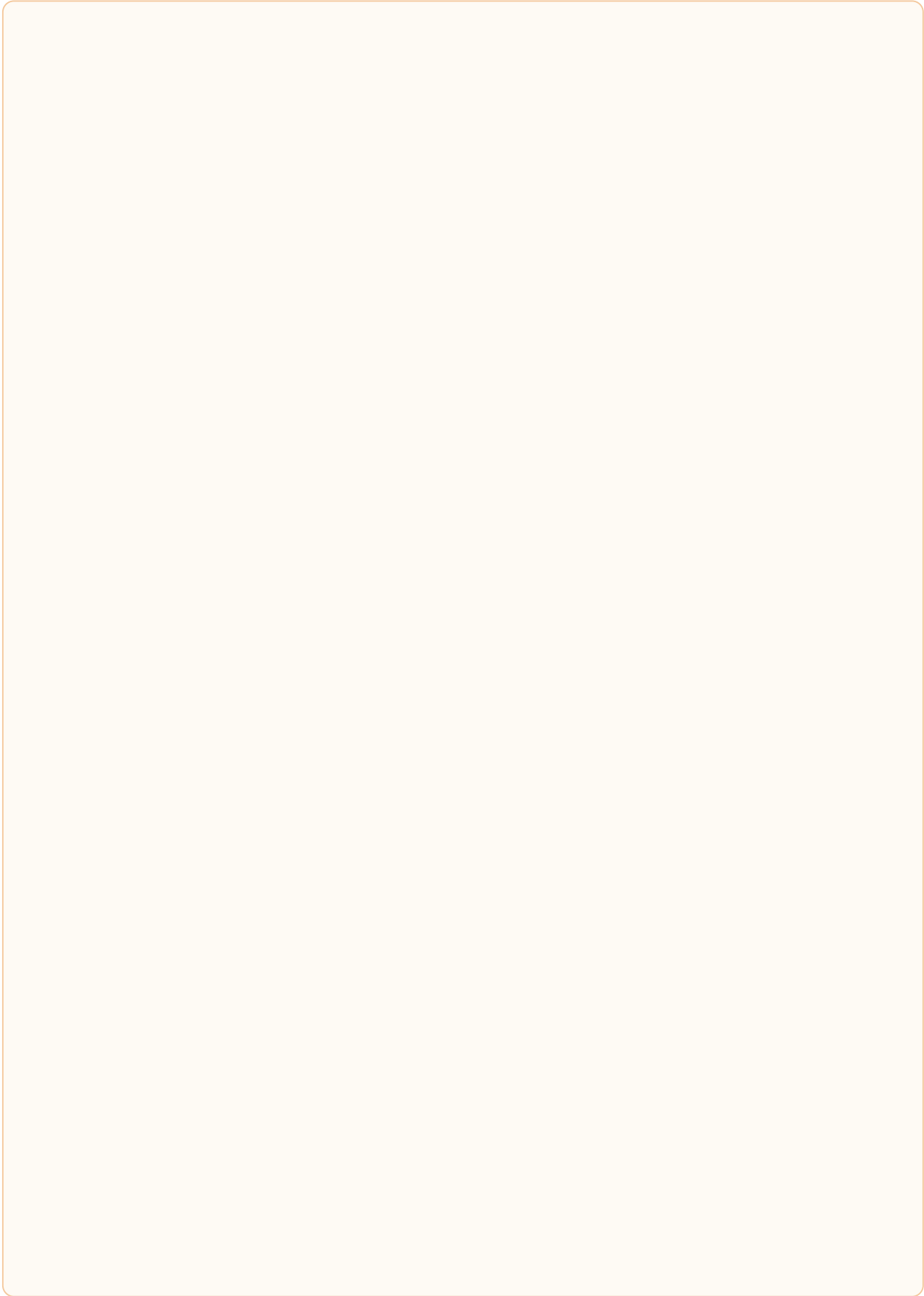
XGF-M32E



XGF-PN8B



A large, empty rectangular area with a light beige background and a thin orange border, intended for writing a memo.





Safety Instructions

- For your safety, please read user's manual thoroughly before operating.
- Contact the nearest authorized service facility for examination, repair, or adjustment.
- Please contact qualified service technician when you need maintenance.
Do not disassemble or repair by yourself!
- Any maintenance and inspection shall be performed by the personnel having expertise concerned.



- According to The WEEE Directive, please do not discard the device with your household waste.