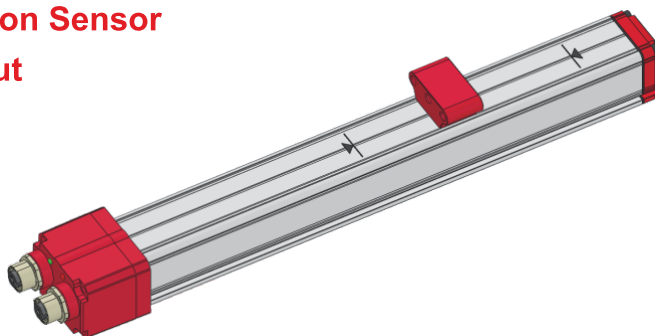


## Magnetostrictive Position Sensor with CANopen Output

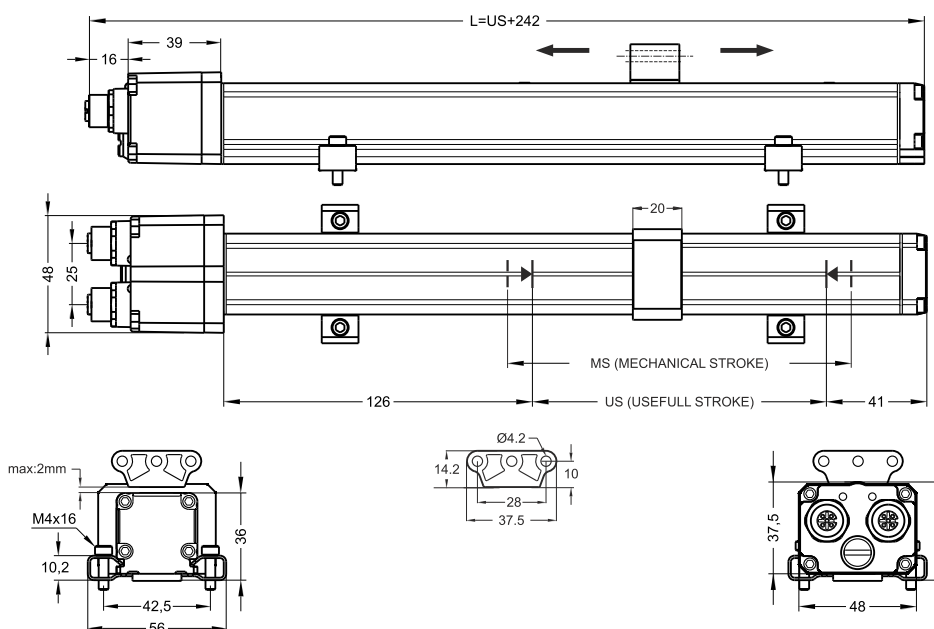
Preliminary draft

- Measuring range 100 - 2000 mm
- 15 bit resolution
- CANbus, CANopen
- 24 VDC power supply



### Technical specifications

Measurement stroke	100 to 2000 mm
Resolution	15 bit (32767 = max. stroke length)
Linearity	±%0,05 (>200mm), ±%0,1 (<200 mm)
Repeatability	±0,005% (full scale)
Response time	20 ms (at 250 Kbit/s)
Termination	120R configure with software
Interface	CAN
Protocol	CANopen, CANbus
Communication profile	CiA301, CiA406 V3.2
Node number	1 up to 127 (default Node ID: 88)
Baud rate	10 Kbit/s to 1Mbit/s (default Baud Rate: 250 Kbit/s)
Properties	Asynchronous - Synchronous communication, SDO, PDO, Guard-Time, Heartbeat, Node ID, Baud Rate, Termination, etc.
Power supply	24 VDC ±10%
Sampling rate	up to 2 kHz (depending on stroke length)
Max. consumption	50 mA - 90 mA (depending on stroke length)
Reverse polarity protection	Up to -30 VDC
Overvoltage protection	Up to 40 VDC
Protection	Reverse polarity
Green Led	Power ON, Can Communication Active
Red Led	Error, Stop Mode



MSS (mm)	100	150	200	250	300	350	400	450	500	550	600	650	700	750	800	850	900	1000	1100	1200	1300	1400	1500	1600	1700	1800	1900	2000
US (Usefull Stroke)	120	170	220	270	320	370	420	470	520	570	620	670	720	770	820	870	920	1020	1120	1220	1320	1420	1520	1620	1720	1820	1920	2020
MS (Mechanical Stroke)	140	190	240	290	340	390	440	490	540	590	640	690	740	790	840	890	940	1040	1140	1240	1340	1440	1540	1640	1740	1840	1940	2040
L (Total Length)	342	392	442	492	542	592	642	692	742	792	842	892	942	992	1042	1092	1142	1292	1342	1492	1542	1642	1742	1842	1942	2042	2142	2242

Model	Measurement stroke	Protocol	Protocol	Termination	Supply	Connector / Cable
(example) DMSS	200	COB	5BR	1S0	V4	2C5
DMSS	100 ... 2000 mm	COB: CANopen CAB: CANbus	0BR : 10 Kbit/s 1BR : 20 Kbit/s 2BR : 50 Kbit/s 3BR : 100 Kbit/s 4BR : 125 Kbit/s 5BR : 250 Kbit/s 6BR : 500 Kbit/s 7BR : 800 Kbit/s 8BR : 1 Mbit/s	120R Bus termination resistor  1S0: Switch off 1S1: Switch on	V4: 24 VDC	1C5: 5 pin, 1 connector (M12x1) 2C5: 5 pin, 2 connector (M12x1)