

Draw Wire Potentiometers

Draw Wire Encoders





For longer strokes (above 8250 mm) and special applications
please contact us.

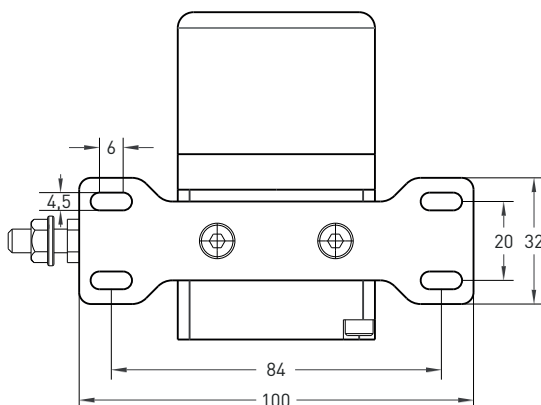
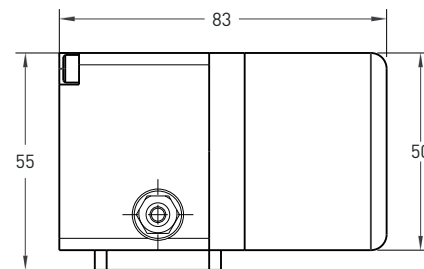
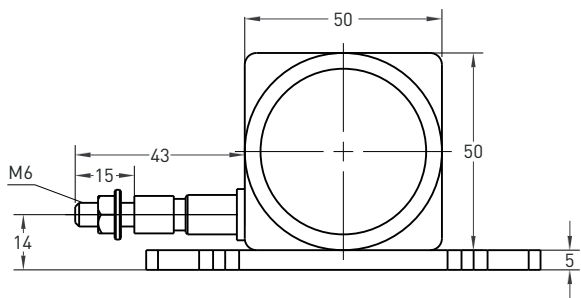
Metal case Draw Wire Potentiometer

- Measuring strokes 100 ... 1200 mm
- 5 kOhm/10 kOhm resistive type or internal voltage / current conditioner circuit
- Easy mounting
- High protection degree

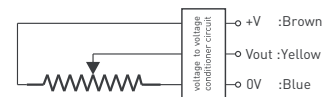


Technical specifications	
Type of measurement	Resistive
Linearity	0,5 %
Measurement stroke	100 ... 1200 mm
Output signal	Resistive output 5 kOhm / 10 kOhm Analogue output 0-5 V, 0-10 V, 0-20 mA or 4-20 mA
Supply voltage	24 VDC max. 15 - 30 V (voltage / current output)
Electrical connections	2.5m cable (standard)
Max. Speed	0,5 m/s
Case material	Aluminium
Weight	< 350 gr.
IP degree	IP 65
Operating temperature	-20°C ... +80°C
Storage temperature	-30°C ... +90°C

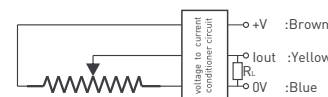
Mechanical specifications



POTENTIOMETRIC OUTPUT



0-10V VOLTAGE OUTPUT



0-20mA / 4-20mA CURRENT OUTPUT

Model	Case type	Measurement stroke	Linearity	Output	Connector/cable	Cable output
DWPM	1	100	A	5K	2M5	R
DWPM	1	100 mm 300 mm 500 mm 700 mm 1200 mm	A: 0,5%	5K : 5KΩ 10K : 10KΩ V 5 : 0 - 5 V V10 : 0 - 10 V I 4 : 4 - 20mA I20 : 0 - 20mA	2M5: 2.5 meter cable 5M : 5 meter cable 8M : 8 meter cable 10 : 10 meter cable	R: Radial

DWPM2

Metal case Draw Wire Potentiometer

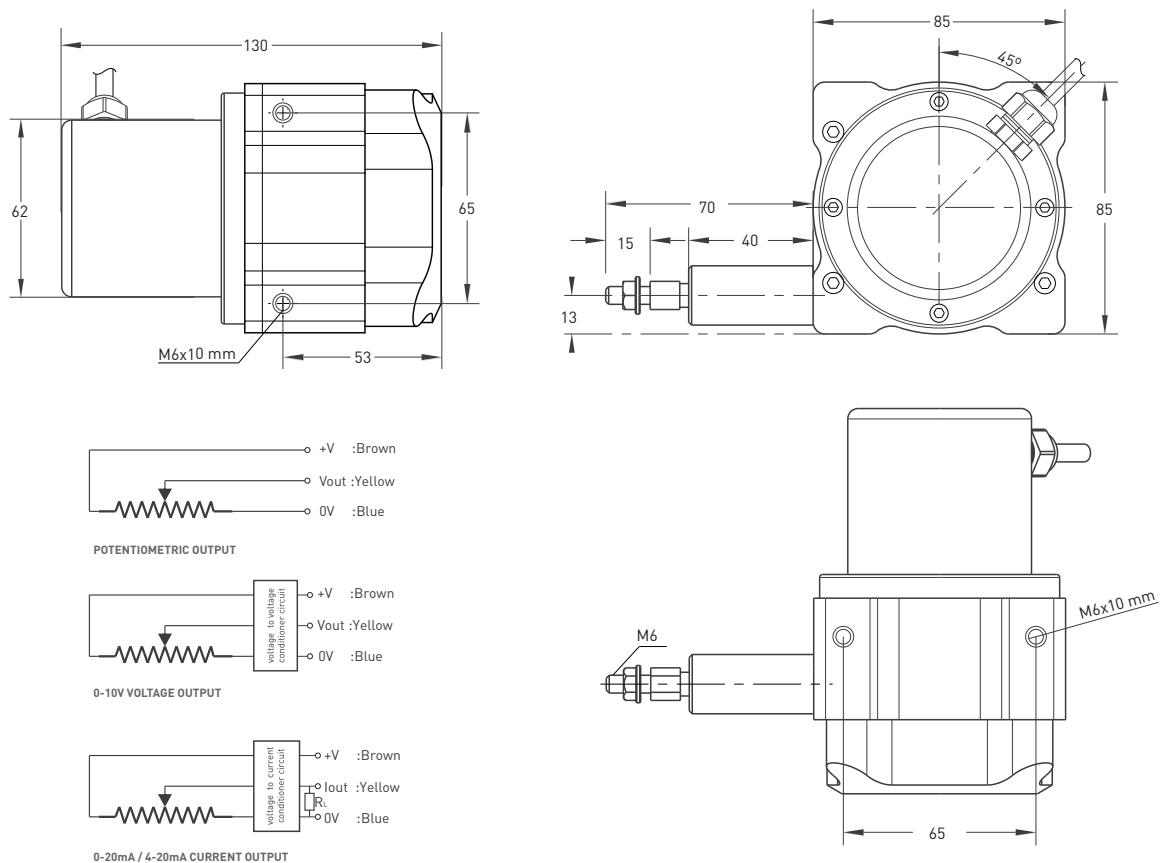
- Measuring strokes 1250 ... 3600 mm
- 5 kOhm / 10 kOhm resistive type or
0-5 V, 0-10 V, 4-20 mA, 0-20 mA internal electronic circuit
- Easy mounting
- High protection degree



Technical specifications

Type of measurement	Resistive
Linearity	0,5 %
Measurement stroke	1250 ... 3600 mm
Output type	Resistive output 5 kOhm / 10 kOhm Analogue output 0-5 V, 0-10 V, 0-20 mA or 4-20 mA
Supply voltage	24 VDC max. 15 - 30 V (voltage / current output)
Electrical connections	2.5m cable (standard)
Max. Speed	2 m/s
Case material	Aluminium
Weight	< 1300 gr
IP degree	IP 65
Operating temperature	-20°C ... +80°C
Storage temperature	-30°C ... +90°C

Mechanical specifications



Model	Case type	Measurement stroke	Linearity	Output	Connector/cable	Cable output
DWPM	2	2000	A	5K	2M5	R
DWPM	2	1250 mm 2000 mm 2500 mm 3000 mm 3600 mm	A: 0,5%	5K : 5KΩ 10K : 10KΩ V 5 : 0 - 5 V V10 : 0 - 10 V I 4 : 4 - 20mA I20 : 0 - 20mA	2M5: 2.5 meter cable 5M : 5 meter cable 8M : 8 meter cable 10 : 10 meter cable	R:Radial

Metal case Draw Wire Potentiometer

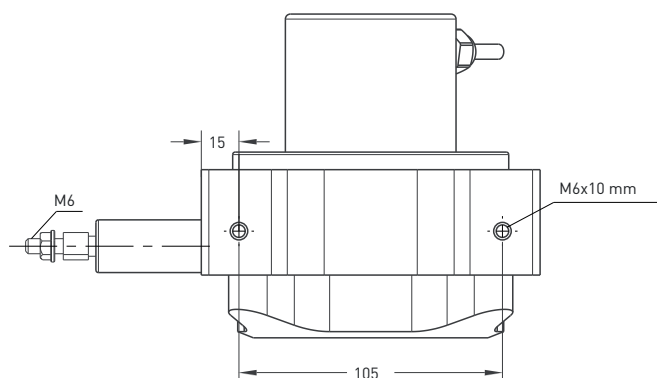
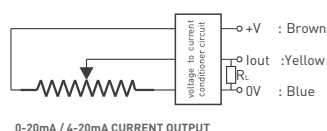
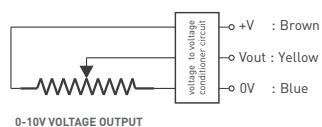
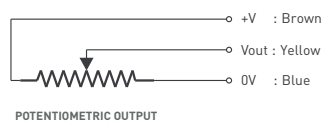
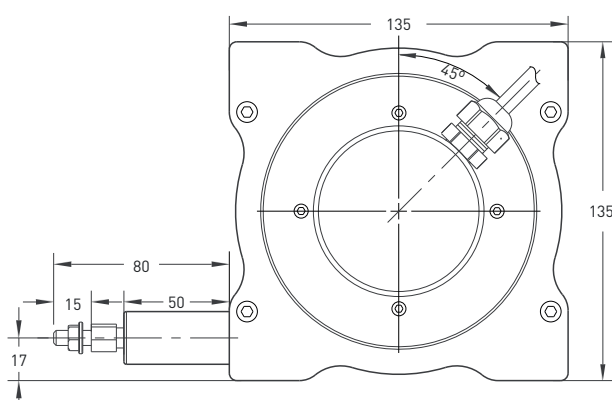
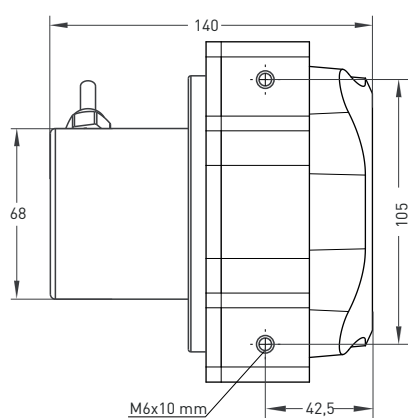
- Measuring strokes 3700 ... 8250 mm
- 5 kOhm / 10 kOhm resistive type or
0-5 V, 0-10 V, 4-20 mA, 0-20 mA internal electronic circuit
- Easy mounting
- High protection degree



Technical specifications

Type of measurement	Resistive
Linearity	0,5 %
Measurement stroke	3700 ... 8250 mm
Output type	Resistive output 5 kOhm / 10 kOhm Analogue output 0-5 V, 0-10 V, 0-20 mA or 4-20 mA
Supply voltage	24 VDC max. 15 - 30 V (voltage / current output)
Electrical connections	2.5m cable (standard)
Max. Speed	1 m/s
Case material	Aluminium
Weight	< 2100 gr
IP degree	IP 65
Operating temperature	-20°C ... +80°C
Storage temperature	-30°C ... +90°C

Mechanical specifications



Model	Case type	Measurement stroke	Linearity	Output	Connector/cable	Cable output
DWPM	3	8250	A	5K	2M5	R
DWPM	3	3700 mm 6000 mm 4000 mm 6500 mm 4500 mm 7000 mm 5000 mm 7500 mm 5500 mm 8250 mm	A : 0,5 %	5K : 5KΩ 10K : 10KΩ V 5 : 0 - 5 V V10 : 0 - 10 V I 4 : 4 - 20mA I 20 : 0 - 20mA	2M5: 2.5 meter cable 5M : 5 meter cable 8M : 8 meter cable 10 : 10 meter cable	R:Radial

Plastic case Draw Wire Encoder

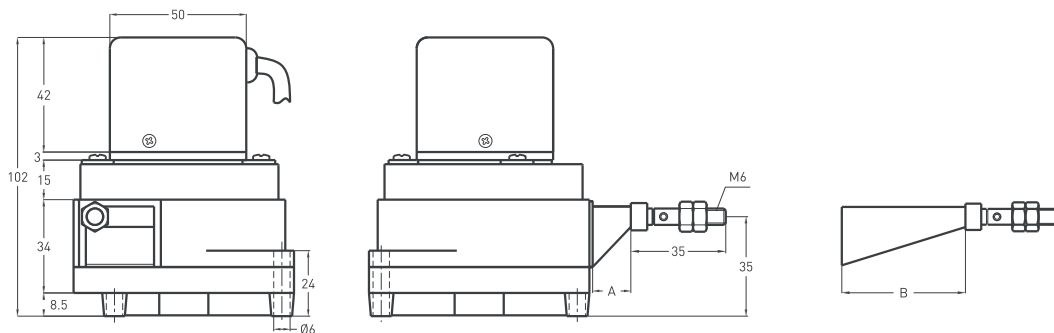
- Measuring strokes 500 ... 3600 mm
- Incremental encoder output
- Push-Pull, TTL Linedriver HLD Linedriver
- Easy mounting
- High protection degree



Technical specifications

Type of measurement	Optical
Resolution	0,1 mm/pulse, 0,2 mm/pulse
Measurement stroke	500 ... 3600 mm
Output signal	A,B,Z veya A,Ā, B,Ā, Z,Z̄
Output signal type	Push-Pull, TTL Linedriver or HLD Linedriver
Supply voltage	8-24 VDC, 5 VDC or 5-30 VDC
Power consumption (without load)	< 40 mA (24 VDC)
Electrical connections	2,5 m cable (standard)
Case material	Aluminium / Stainless steel / ABS Plastic
IP degree	IP 54
Operating temperature	-20°C ... +80°C
Storage temperature	-30°C ... +90°C

Mechanical specifications



	Measurement stroke	L
A	14 mm up to 2500 mm	132
B	50 mm from 2500 mm to 3500 mm	168

Push-Pull Cable output

+V : Brown
 0V : White
 GND : Shield
 Ch A : Yellow
 Ch B : Green
 Ch Z : Gray

TTL - HLD Linedriver Cable Output

+V :Brown
 0V :White
 GND :Shield
 Ch A :Yellow
 Ch B :Green
 Ch Z :Gray
 Ch A inv :Blue
 Ch B inv :Red
 Ch Z inv :Pink

Model	Measurement stroke	Output	Resolution	Output signal	Connector/cable	Cable output
DWE	1500	LTP	P2000	Z	2M5	R
DWE	500 mm 1000 mm 1500 mm 2000 mm 2500 mm	LTP : Push-Pull TTL : TTL Linedriver HLD : High Linedriver	P2000: 0,1 mm/puls P1000: 0,2 mm/puls P500 : 0,4 mm/puls	Z: A,B,Z B: A,B	2M5: 2.5 meter cable 5M : 5 meter cable 8M : 8 meter cable 10 : 10 meter cable	R: Radial A: Axial

Metal case Draw Wire Encoder

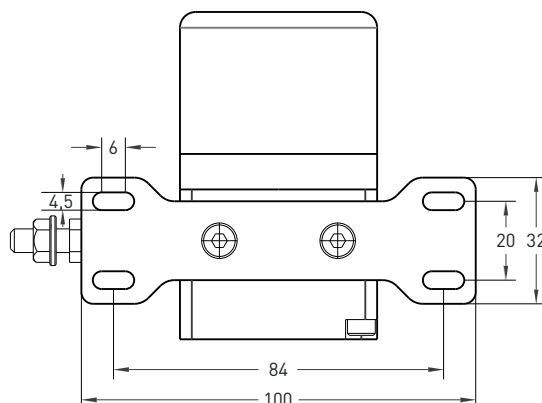
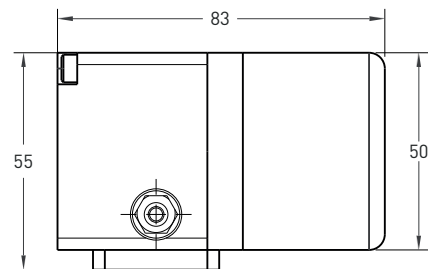
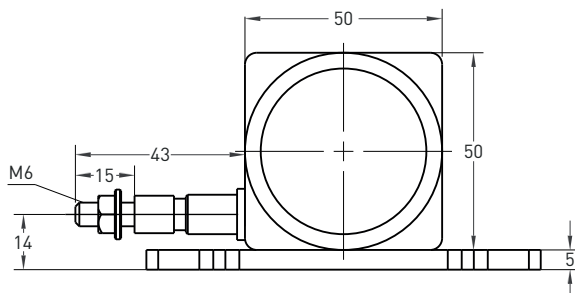
- Measuring strokes 100 ... 1200 mm
- Incremental encoder output
- Push-Pull, TTL Linedriver HLD Linedriver
- Easy mounting
- High protection degree



Technical specifications

Type of measurement	Optical
Resolution	0,1 mm/pulse, 0,2 mm/pulse
Measurement stroke	100 ... 1200 mm
Output signal	A,B,Z or A, \bar{A} , B, \bar{B} , Z, \bar{Z}
Output signal type	Push-Pull, TTL Linedriver or HLD Linedriver
Supply voltage	8 - 24 VDC, 5 VDC or 5 - 30 VDC
Power consumption (without load)	< 40 mA (24 VDC)
Electrical connections	2.5m cable (standard)
Max. Speed	0,5 or 0,5 m/s
Case material	Aluminium
Weight	< 350 gr.
IP degree	IP 65
Operating temperature	-20°C ... +80°C
Storage temperature	-30°C ... +90°C

Mechanical specifications



Push-Pull Cable output

+V : Brown
 0V : White
 GND : Shield
 Ch A : Yellow
 Ch B : Green
 Ch Z : Gray

TTL - HLD Linedriver Cable Output

+V : Brown
 0V : White
 GND : Shield
 Ch A : Yellow
 Ch B : Green
 Ch Z : Gray
 Ch A inv : Blue
 Ch B inv : Red
 Ch Z inv : Pink

Model	Case type	Measurement stroke	Output	Output signal	Resolution	Connector/cable	Cable output
DWEM	1	100	LTP	Z	P1000	2M5	R
DWEM	1	100 mm 300 mm 500 mm 700 mm 1200 mm	TT : TTL LD : Linedriver LTP : Push-Pull HLD : High Linedriver	Z : A, B, Z B : A, B	P1000 : 0,2 mm / pulse P2000 : 0,1 mm / pulse	2M5: 2.5 meter cable 5M : 5 meter cable 8M : 8 meter cable 10 : 10 meter cable	R:Radial

DWEM2

Metal case Draw Wire Encoder

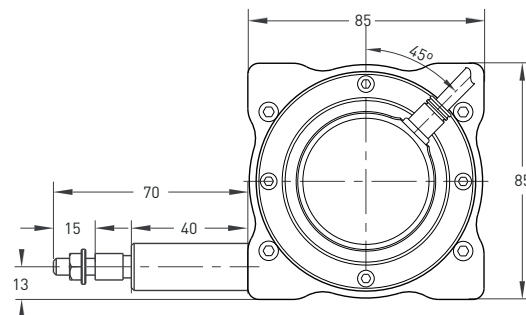
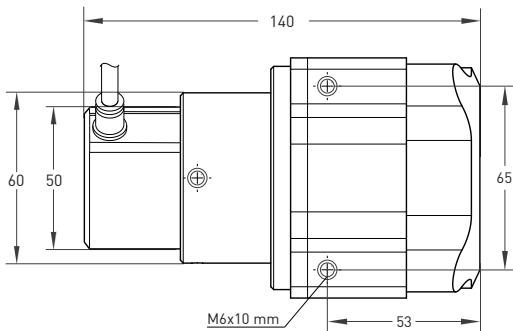
- Measuring strokes 1250 ... 3600 mm
- Incremental encoder output
- Push-Pull, TTL Linedriver or HLD Linedriver
- Easy mounting
- High protection degree



Technical specifications

Type of measurement	Optical
Resolution	0,1 mm/pulse, 0,2 mm/pulse
Measurement stroke	1250 ... 3300 mm
Output signal	A,B,Z or A, \bar{A} , B, \bar{B} , Z, \bar{Z}
Output signal type	Push-Pull, TTL Linedriver or HLD Linedriver
Supply voltage	8 - 24 VDC, 5 VDC or 5 - 30 VDC
Power consumption (without load)	< 40 mA (24 VDC)
Electrical connections	2.5m cable (standard)
Max. Speed	2 m/s
Case material	Aluminium
Weight	< 1300 gr
IP degree	IP 65
Operating temperature	-20°C ... +80°C
Storage temperature	-30°C ... +90°C

Mechanical specifications

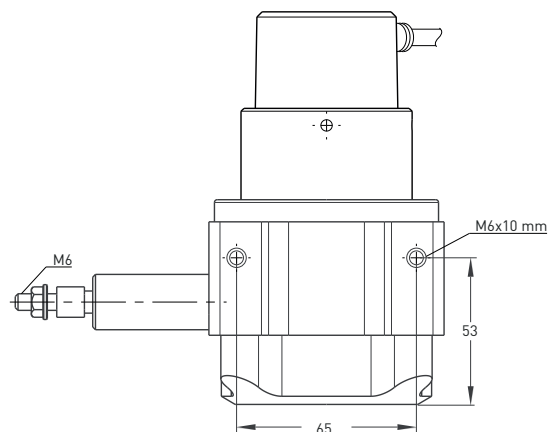


Push-Pull Cable output

+V : Brown
 0V : White
 GND : Shield
 Ch A : Yellow
 Ch B : Green
 Ch Z : Gray

TTL - HLD Linedriver Cable Output

+V : Brown
 0V : White
 GND : Shield
 Ch A : Yellow
 Ch B : Green
 Ch Z : Gray
 Ch A inv : Blue
 Ch B inv : Red
 Ch Z inv : Pink



Model	Case type	Measurement stroke	Output	Resolution	Output signal	Connector/cable	Cable output
DWEM	2	2000	LTP	P1000	Z	2M5	R
DWEM	2	1250 mm 2000 mm 2500 mm 3000 mm 3600 mm	TT : TTL LD : Linedriver LTP : Push-Pull HLD : High Linedriver	P1000 : 0,2 mm / pulse P2000 : 0,1 mm / pulse	Z : A, B, Z B : A, B	2M5: 2.5 meter cable 5M : 5 meter cable 8M : 8 meter cable 10 : 10 meter cable	R: Radial

Metal case Draw Wire Encoder

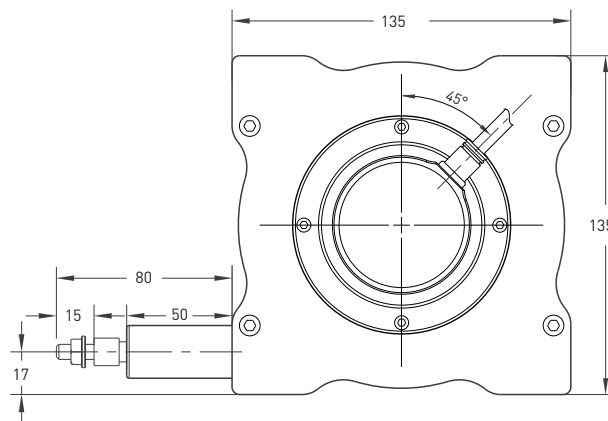
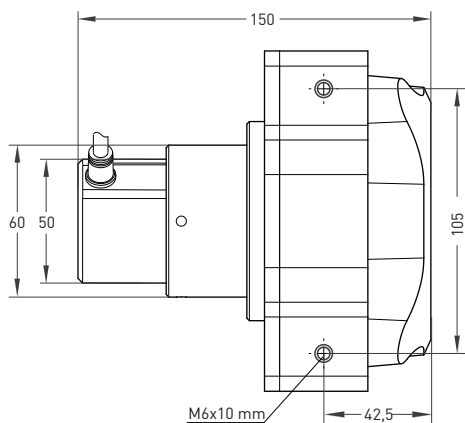
- Measuring strokes 3700 ... 8250 mm
- Incremental encoder output
- Push-Pull, TTL Linedriver HLD Linedriver
- Easy mounting
- High protection degree



Technical specifications

Type of measurement	Optical
Resolution	0,1 mm/pulse 0,2 mm/pulse
Measurement stroke	3500 ... 8250 mm
Output signal	A,B,Z or A, \bar{A} , B, \bar{B} , Z, \bar{Z}
Output signal type	Push-Pull, TTL Linedriver or HLD Linedriver
Supply voltage	8 - 24 VDC, 5 VDC or 5 - 30 VDC
Power consumption (without load)	< 40 mA (24 VDC)
Electrical connections	2.5 m cable (standard)
Max. Speed	1 m/s
Case material	Aluminium
Weight	< 2100 gr
IP degree	IP 65
Operating temperature	-20°C ... +80°C
Storage temperature	-30°C ... +90°C

Mechanical specifications

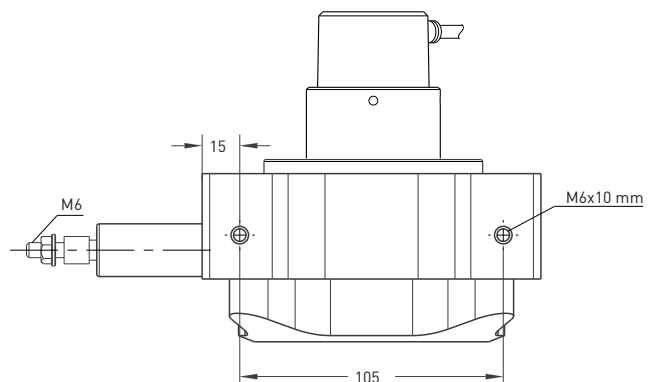


Push-Pull Cable output

+V : Brown
0V : White
GND : Shield
Ch A : Yellow
Ch B : Green
Ch Z : Gray

TTL - HLD Linedriver Cable Output

+V : Brown
0V : White
GND : Shield
Ch A : Yellow
Ch B : Green
Ch Z : Gray
Ch A inv : Blue
Ch B inv : Red
Ch Z inv : Pink



Model	Case type	Measurement stroke	Output	Output signal	Resolution	Connector/cable	Cable output
DWEM	3	8250	LTP	Z	P1000	2M5	R
DWEM	3	3700 mm 6000 mm 4000 mm 6500 mm 4500 mm 7000 mm 5000 mm 7500 mm 5500 mm 8250 mm	TT : TTL LD : Linedriver LTP : Push-Pull HLD : High Linedriver	Z : A, B, Z B : A, B	P1000 : 0,2 mm / pulse P2000 : 0,1 mm / pulse	2M5: 2.5 meter cable 5M : 5 meter cable 8M : 8 meter cable 10 : 10 meter cable	R:Radial

NOTE

A series of horizontal dotted lines for writing notes.



WORLDWIDE SALES NETWORK



Headquarter R&D , Production

Opkon Optik Elektronik
Kontrol Sanayi ve Ticaret A.Ş.
Terazidere Mah. 29 Ekim Cad. No:34
Bayrampaşa / İstanbul / TÜRKİYE

Phone : +90 (212) 501 48 63
Fax : +90 (212) 501 48 83
Web : www.opkon.com.tr
E-mail : export@opkon.com.tr

Germany Subsidiary

Sensormarket GmbH
Graeffstrasse.5,
50823 Köln/GERMANY

Phone : +49 22159495400
Fax : +49 22159495402
Web : www.sensormarket.eu
E-mail : sales@sensormarket.eu

China Subsidiary

Danzi Sense Technology
(Shanghai) Co., Ltd.
Room 123 -B, F/1, No. 1000 Ziyue Road,
Minhang District, 200240 Shanghai CHINA

Hotline: 400 8050 889
Phone : 021-64091719
Fax : 021-64091713
Web : www.danzisensors.com.cn
E-mail : marketing@opkonchina.com