

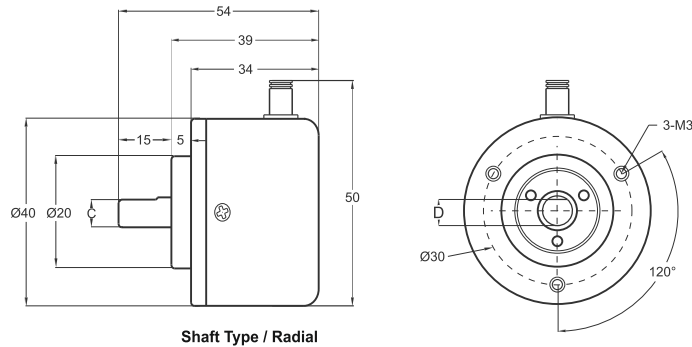
Magnetic Incremental Encoder

- 40 mm case diameter
- Magnetic incremental encoder
- 4 - 8 - 16 - 20 - 25 - 32 - 40 - 50 - 64 - 80 - 100 - 125, 128 - 160 - 200 - 250 - 256 - 400 - 500 - 512 ppr.
- IP 54 protection



Technical Specifications

Type of Measurement	Magnetic incremental contactless
Resolution	4 to 512 ppr.
Output Channels	A,B,Z or A, \bar{A} , B, \bar{B} , Z, \bar{Z}
Output Type	Push-Pull, TTL Linedriver or HTL Linedriver
Supply Voltage	8 - 24 VDC (standard) or 5 VDC (optional)
Power Consumption (without load)	< 40 mA (24 VDC)
Electrical Connections	2.5 m (standard)
Max. Permissible Shaft Loading Radial	100 N
Axial	60 N
Max. Speed	3500 rpm
Shaft Diameter	Ø4 - 6 - 8 mm
Shaft Material	Stainless steel
Case Diameter	Ø40 mm
Case Material	Aluminium / Steel
IP Degree	IP 54
Operating Temperature	-20°C ... +80°C
Storage Temperature	-30°C ... +90°C



Shaft Type / Radial

MRI 40	R (shaft)	
	C	D
	Ø4 mm	3.30 mm
	Ø6 mm	5.50 mm
	Ø8 mm	7.30 mm

Push-Pull / TTL Linedriver Cable Output

+V	: Brown
0V	: White
GND	: Shield
Ch A	: Yellow
Ch B	: Green
Ch Z	: Gray
Ch A inv.	: Blue
Ch B inv.	: Red
Ch Z inv.	: Pink

HTL Linedriver Cable Output

+V	: Brown
0V	: White
GND	: Shield
Ch A	: Yellow
Ch B	: Green
Ch Z	: Gray
Ch A inv.	: Blue
Ch B inv.	: Red
Ch Z inv.	: Pink

Model	Case Diameter	Case Type	Shaft Diameter	Output	Resolution	Output Channels	Supply Voltage	Connector / Cable	Cable Output
(example) MRI	40	A	R6	HLD	500	Z	V2	2M5	R
MRI	40mm	A : Clamping flange AW: Water proof	R4: 4mm R6: 6mm R8: 8mm	LTP : Push-Pull TTL : TTL Linedriver HLD: High Linedriver	4 ... 512 ppr.	Z: A,B,Z B: A,B	V1: 5 VDC V2: 8-24 VDC	2M5: 2,5 meter cable 5M : 5 meter cable 8M : 8 meter cable 10M: 10 meter cable C12: 12 pin connector	R : Radial A : Axial