

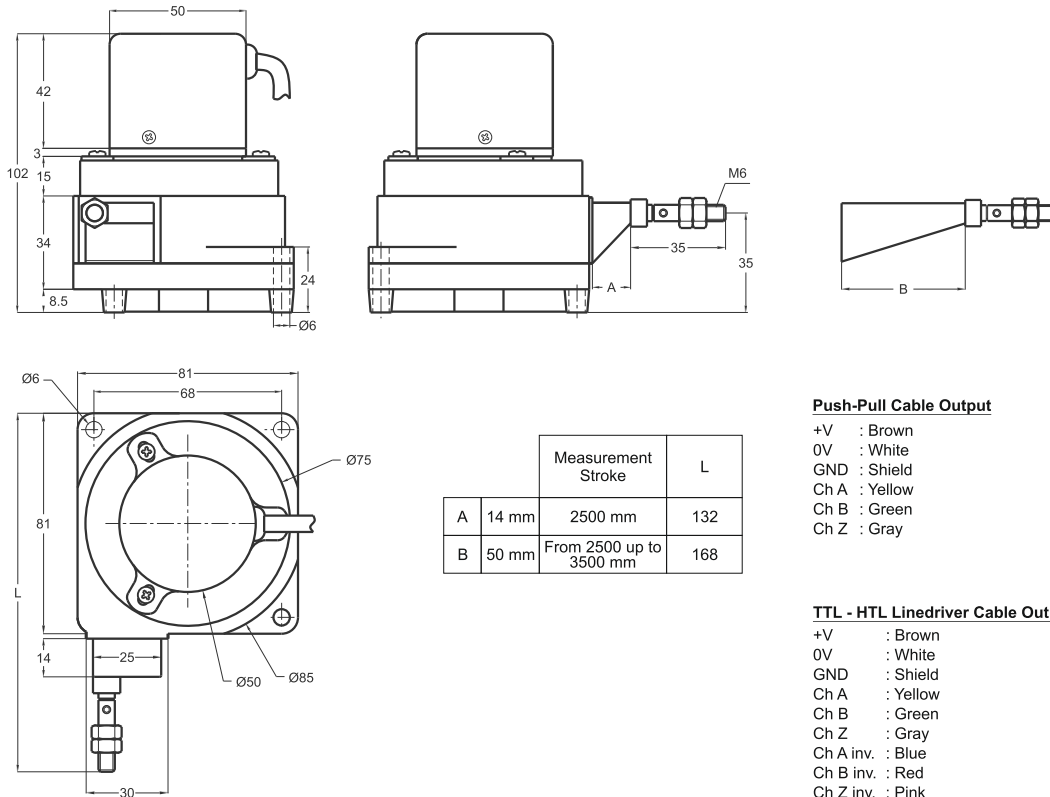
Draw Wire Encoder

- Measuring strokes 500 - 1000 - 1500 - 2000 - 2500 - 3000 - 3500 - 3600 mm
- Incremental 50 µm / 25 µm resolution
- Push-Pull, TTL Linedriver or HTL Linedriver
- Easy mounting
- High protection degree



Technical Specifications

Type of Measurement	Optical
Resolution	0,1 mm/ppr - 0,2 mm/ppr.
Measurement Stroke	500 to 3600 mm
Output Signal	A,B,Z or $\bar{A}, \bar{B}, \bar{Z}$
Output Signal Type	Push-Pull, TTL Linedriver or HTL Linedriver
Supply Voltage	8 - 24 VDC, 5 VDC or 5 - 30 VDC
Power Consumption (without load)	< 40 mA (24 VDC)
Electrical Connections	2.5 m cable (standard)
IP Degree	IP 54
Case Material	Aluminium / Steel / ABS plastic
Operating Temperature	-20°C ... +80°C
Storage Temperature	-30°C ... +90°C



Model	Measurement Stroke	Output	Resolution	Output Signal	Connector / Cable	Cable Output
(example) DWE	1500	LTP	P2000	Z	2M5	R
DWE	500 mm 3000 mm 1000 mm 3500 mm 1500 mm 3600 mm 2000 mm 2500 mm	LTP : Pushpull TTL : TTL Linedriver HLD: High Linedriver	P2000: 0,1 mm/puls P1000: 0,2 mm/puls P500 : 0,4 mm/puls	Z: A,B,Z B: A,B	2M5: 2,5 meter cable 5M : 5 meter cable 8M : 8 meter cable 10M: 10 meter cable	R: Radial A: Axial