

Metal case Draw Wire Encoder

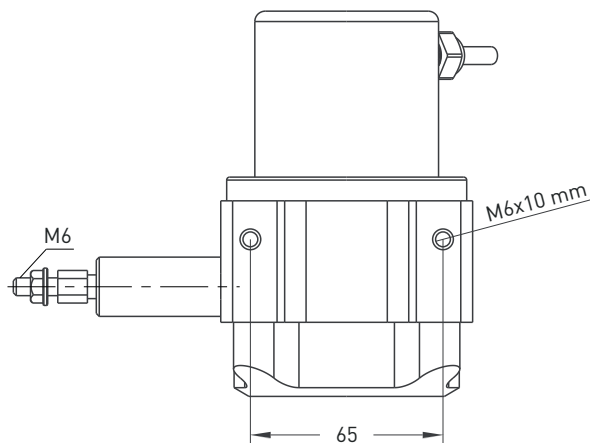
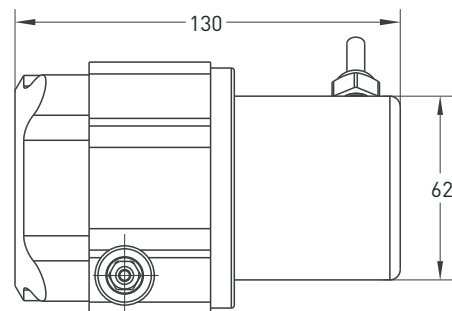
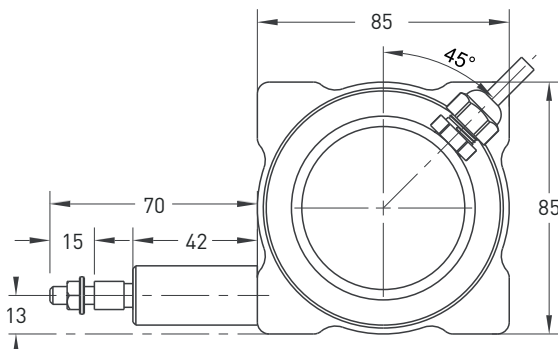
- Measuring strokes 1250 ... 3300 mm
- Incremental encoder output
- Push-Pull, TTL Linedriver or HTL Linedriver
- Easy mounting
- High protection degree



Technical specifications

Type of measurement	Optical
Resolution	0,1 mm/pulse 0,2 mm/pulse
Measurement stroke	1250 ... 3300 mm
Output signal	A,B,Z or A, \bar{A} , B, \bar{B} , Z, \bar{Z}
Output signal type	Push-Pull, TTL Linedriver or HTL Linedriver
Supply voltage	8 - 24 VDC, 5 VDC or 5 - 30 VDC
Power consumption (without load)	< 40 mA (24 VDC)
Electrical connections	2.5m cable (standard)
Max. Speed	2 m/s
Case material	Aluminium
Weight	< 1300 gr
IP degree	IP 65
Operating temperature	-20°C ... +80°C
Storage temperature	-30°C ... +90°C

Mechanical specifications



Push-Pull Cable output

+V : Brown
0V : White
GND : Shield
Ch A : Yellow
Ch B : Green
Ch Z : Gray

TTL - HTL Linedriver Cable Output

+V : Brown
0V : White
GND : Shield
Ch A : Yellow
Ch B : Green
Ch Z : Gray
Ch A inv : Blue
Ch B inv : Red
Ch Z inv : Pink

Model	Case type	Measurement stroke	Output	Resolution	Output signal	Connector/cable	Cable output
DWEM	2	2000	LTP	P1000	Z	2M5	R
DWEM	2	1250 mm 2000 mm 2500 mm 3300 mm	TT : TTL LD : Linedriver LTP : Push-Pull HLD : High Linedriver	P1000 : 0,2 mm / pulse P2000 : 0,1 mm / pulse	Z : A, B, Z B : A, B	2M5: 2.5 meter cable 5M : 5 meter cable 8M : 8 meter cable 10 : 10 meter cable	R: Radial