

## Metal case Draw Wire Encoder

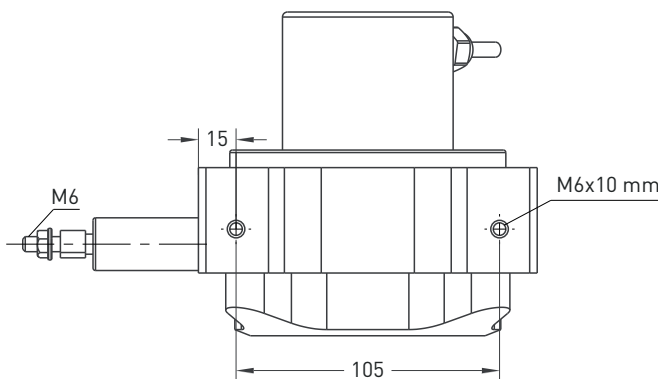
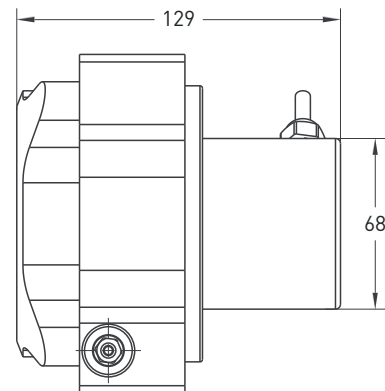
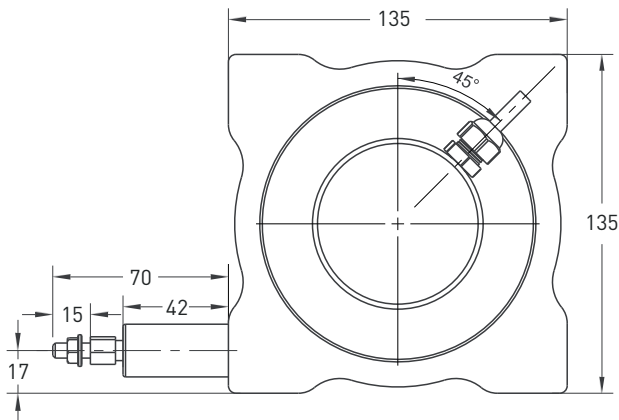
- Measuring strokes 3500 ... 8250 mm
- Incremental encoder output
- Push-Pull, TTL Linedriver HTL Linedriver
- Easy mounting
- High protection degree



### Technical specifications

Type of measurement	Optical
Resolution	0,1 mm/pulse 0,2 mm/pulse
Measurement stroke	3500 ... 8250 mm
Output signal	A,B,Z or A,Ā, B,Ā, Z,Z̄
Output signal type	Push-Pull, TTL Linedriver or HTL Linedriver
Supply voltage	8 - 24 VDC, 5 VDC or 5 - 30 VDC
Power consumption (without load)	< 40 mA (24 VDC)
Electrical connections	2.5m cable (standard)
Max. Speed	1 m/s
Case material	Aluminium
Weight	< 2200 gr
IP degree	IP 65
Operating temperature	-20°C ... +80°C
Storage temperature	-30°C ... +90°C

### Mechanical specifications



#### Push-Pull Cable output

+V : Brown  
0V : White  
GND: Shield  
Ch A: Yellow  
Ch B: Green  
Ch Z: Gray

#### TTL - HTL Linedriver Cable Output

+V : Brown  
0V : White  
GND : Shield  
Ch A : Yellow  
Ch B : Green  
Ch Z : Gray  
Ch A inv : Blue  
Ch B inv : Red  
Ch Z inv : Pink

Model	Case type	Measurement stroke	Output	Output signal	Resolution	Connector/cable	Cable output
DWEM	3	8250	LTP	Z	P1000	2M5	R
DWEM	3	3500 mm 6000 mm 4000 mm 6500 mm 4500 mm 7000 mm 5000 mm 7500 mm 5500 mm 8250 mm	TT : TTL LD : Linedriver LTP : Push-Pull HLD : High Linedriver	Z : A, B, Z B : A, B	P1000 : 0,2 mm / pulse P2000 : 0,1 mm / pulse	2M5: 2.5 meter cable 5M : 5 meter cable 8M : 8 meter cable 10 : 10 meter cable	R:Radial