

## Metal case Draw Wire Potentiometer

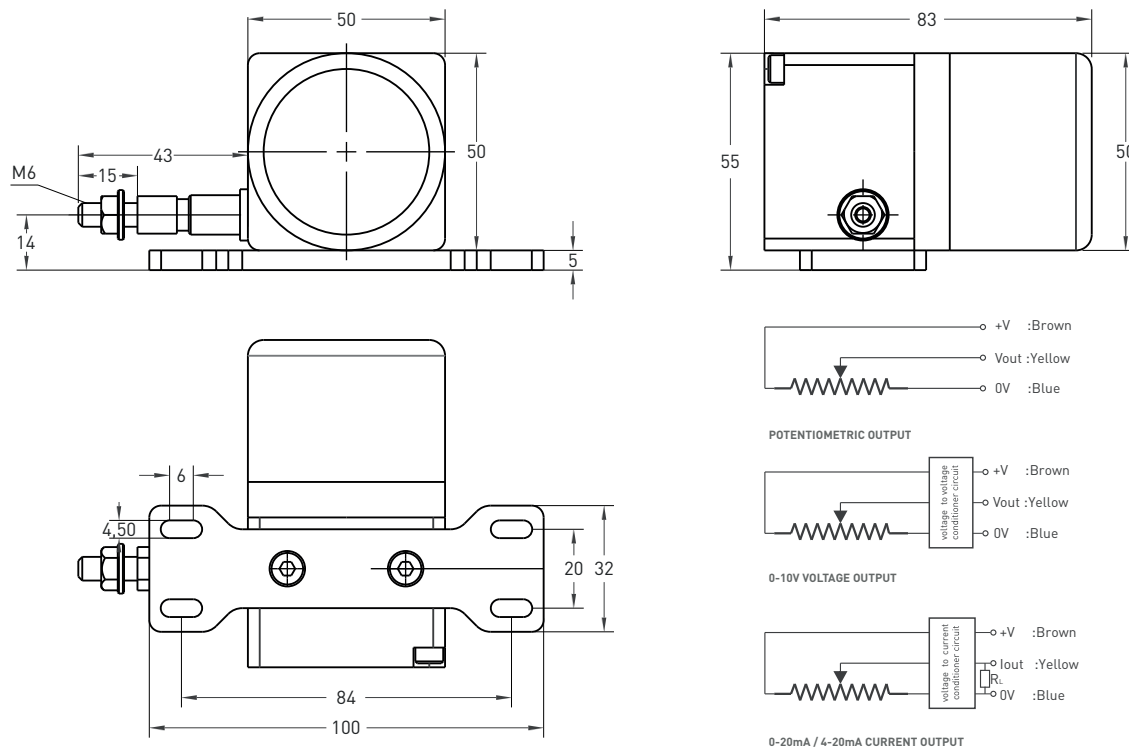


- Measuring strokes 100 ... 1200 mm
- 5 kOhm/10 kOhm resistive type or with internal voltage / current conditioner circuit
- Easy mounting

### Technical specifications

Type of measurement	Resistive
Linearity	0,5 %
Measurement stroke	100 ... 1200 mm
Output signal type	Voltage divider
Output signal	Resistive output 0-5 V, 0-10 V, 0-20 mA or 4-20 mA
Supply voltage	24 VDC max. 15 - 30 V (voltage / current output)
Electrical connections	2.5m cable (standard)
Max. Speed	0,5 m/s
Case material	Aluminium
Weight	< 500 gr.
IP degree	IP 65
Operating temperature	-20°C ... +80°C
Storage temperature	-30°C ... +90°C

### Mechanical specifications



Model	Case type	Measurement stroke	Linearity	Output	Connector/cable	Cable output
DWPM	1	100	D	5K	2M5	R
DWPM	1	100 mm 300 mm 500 mm 700 mm 1200 mm	D: 0,5%	5K : 5KΩ 10K : 10KΩ V 5 : 0 - 5 V V10 : 0 - 10 V I 4 : 4 - 20mA I20 : 0 - 20mA	2M5: 2.5 meter cable 5M : 5 meter cable 8M : 8 meter cable 10 : 10 meter cable	R: Radial