

Metal case Draw Wire Potentiometer

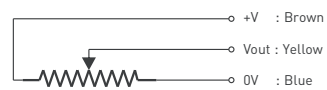
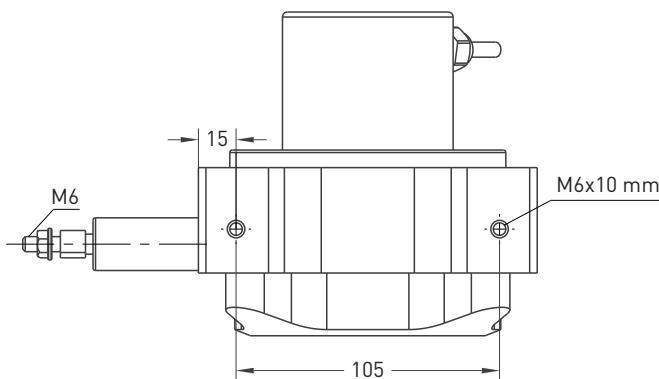
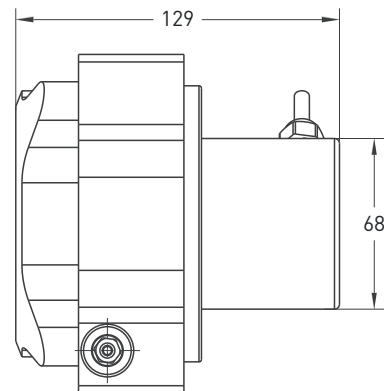
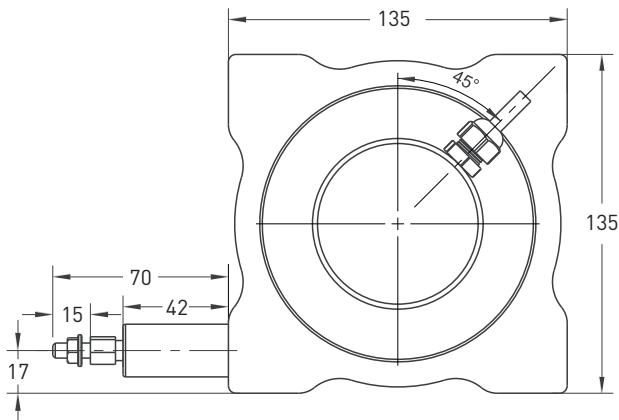


- Measuring strokes 3500 ... 8250 mm
- 5 kOhm / 10 kOhm resistive type or
0-5 V, 0-10 V, 4-20 mA, 0-20 mA internal electronic circuit
- Easy mounting

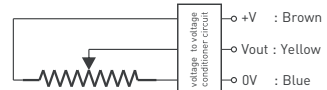
Technical specifications

Type of measurement	Resistive
Linearity	0,5 %
Measurement stroke	3500 ... 8250 mm
Output signal type	Voltage divider
Output type	Resistive output 0-5 V, 0-10 V , 0-20 mA or 4-20 mA
Supply voltage	24 VDC max. 15 - 30 V (voltage / current output)
Electrical connections	2.5m cable (standard)
Max. Speed	1 m/s
Case material	Aluminium
Weight	< 2200 gr
IP degree	IP 65
Operating temperature	-20°C ... +80°C
Storage temperature	-30°C ... +90°C

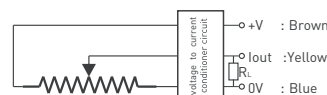
Mechanical specifications



POTENTIOMETRIC OUTPUT



0-10V VOLTAGE OUTPUT



0-20mA / 4-20mA CURRENT OUTPUT

Model	Case type	Measurement stroke	Linearity	Output	Connector/cable	Cable output
DWPM	3	8250	D	5K	2M5	R
DWPM	3	3500 mm 6000 mm 4000 mm 6500 mm 4500 mm 7000 mm 5000 mm 7500 mm 5500 mm 8250 mm	D : 0, 5%	5K : 5KΩ 10K : 10KΩ V 5 : 0 - 5 V V10 : 0 - 10 V I 4 : 4 - 20mA I20 : 0 - 20mA	2M5: 2.5 meter cable 5M : 5 meter cable 8M : 8 meter cable 10 : 10 meter cable	R:Radial