

Long Stroke Linear Potentiometers





model RTL

- Measuring range 30 - 1000 mm
- Infinite resolution
- Easy installation with fixing brackets
- IP65 protection class



model RPH

- Measuring range 100 - 1950 mm
- With sliding head reducing overall dimension
- Rodless design
- IP 40 (if mounted upside down IP 53)



model LPC

- Measuring range 50 - 800 mm
- Excellent repeatability <0.01 mm
- Orbital movement via ball joints on the both sides
- Strong mechanical structure (10mm rod diameter)
- IP 65 protection class



model RTM

- Measuring range 50 - 600 mm
- Excellent repeatability <0.01 mm
- Orbital movement in square body, without fixing brackets
- Infinite resolution
- IP 65 protection class



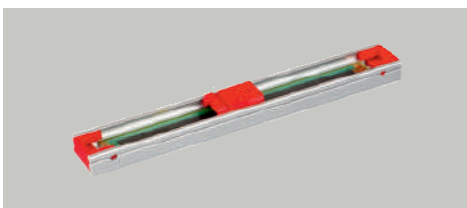
model LPS

- Measuring range 30 - 150 mm
- Excellent repeatability <0.01 mm
- Infinite resolution
- IP 54 protection class



model LSC

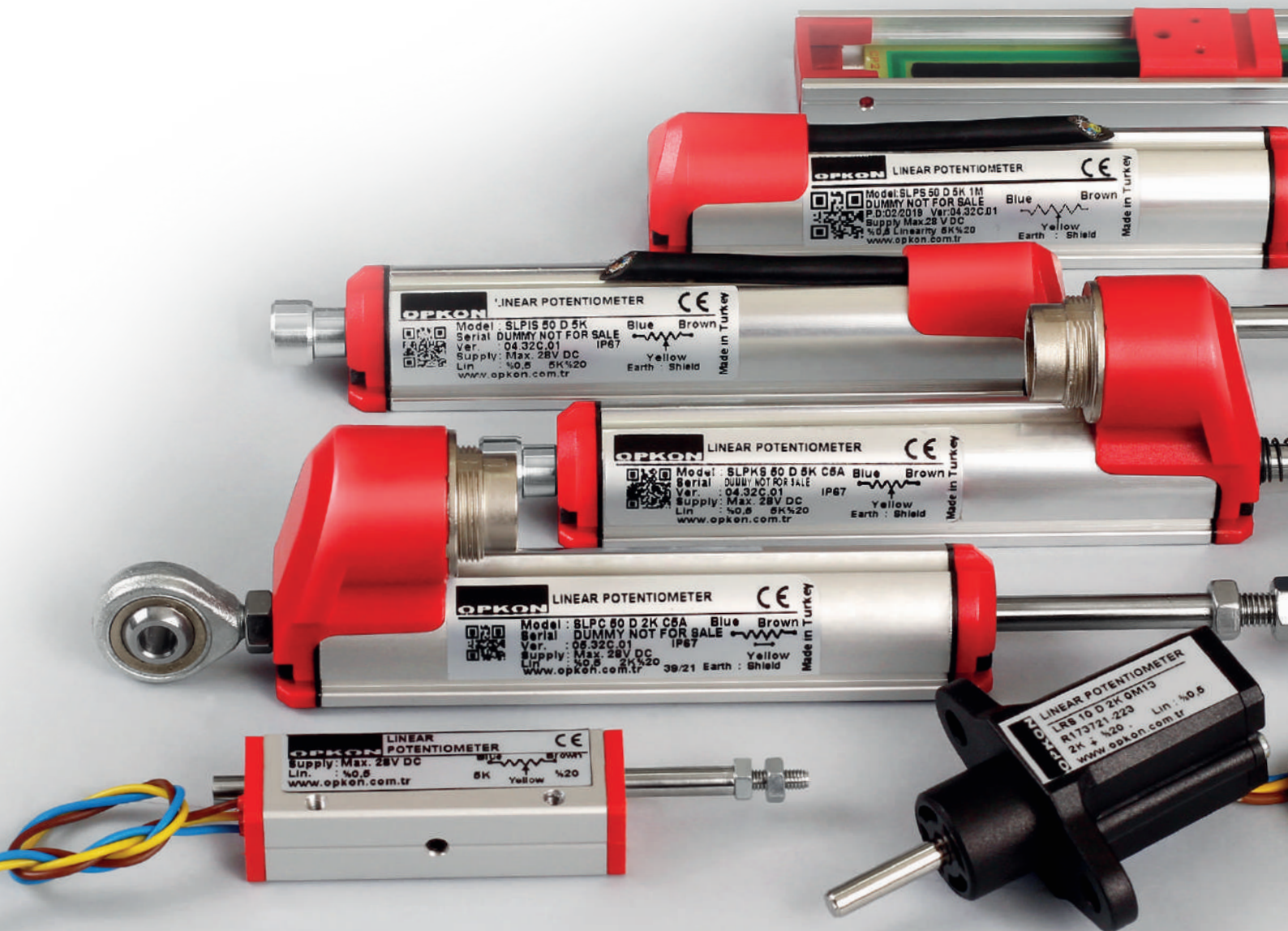
- Measuring range 25 - 400 mm
- For harsh environmental conditions up to IP67 grade
- Cable output
- IP 65 protection class



model OPH

- Measuring range 50 - 1000 mm
- Long mechanical life 50 million cycles
- Excellent repeatability <0.01 mm
- Cost effective compact design
- Open profile
- Easy and flexible installation

Slim Body Short Stroke Linear Potentiometers





model SLPT

- Measuring range 10 - 400 mm
- Linearity up to $\pm 0,05\%$
- Compact design
- For small spaces applications



model SLPC

- Measuring range 10 - 400 mm
- Compact design
- Orbital movement via ball joints on the both sides
- Robust design with long mechanical lifetime
- High accuracy and excellent repeatability



model SLPS

- Spring loaded
- Measuring range 10 - 100 mm
- Compact and robust design
- The rod automatically returns to zero position
- Useful for flatness and thickness measurements



model SLPK

- Measuring range 10 - 200 mm
- Robust design with double side supported rod
- Suitable for test machines and small mechanical applications
- Long mechanical life up to 50 million movements



model SLPKS

- Measuring range 10 - 100 mm
- Double-side rod with return spring
- Ideal for thickness measurements



model SLPIS

- Measuring range 10 - 100 mm
- Internal return spring
- Probe or roll bearing type
- Compact industrial design
- High repeatability and accuracy



model
LMT / LMTIS

- Measuring range 10 - 25 mm
- Ultra compact design with robust aluminium housing
- Easy mounting by thread holes
- Infinite resolution



model SOPH

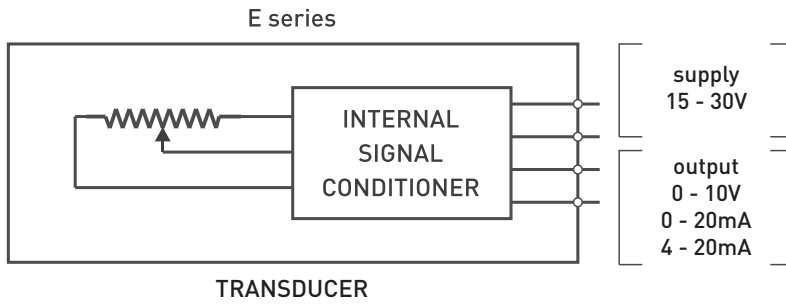
- Measuring range 25 - 150 mm
- Special teflon guiding system
- Long mechanical life 30 million movements
- Infinite resolution



model LRS

- Measuring range 10 - 25 mm
- Excellent repeatability $< 0,01$ mm
- Infinite resolution

Long Stroke with Internal Signal Conditioner Linear Potentiometers





model ERTL

- Internal signal conditioner
- Output 0-10 V, 0-20 mA, 4-20 mA / 10-0 V, 20-0 mA, 20-4 mA / 0-5V, 5-0V
- Measuring range 30 - 1000 mm
- Infinite resolution
- Easy installation with fixing brackets
- IP65 protection class



model ERPH

- Internal signal conditioner
- Output 0-10 V, 0-20 mA, 4-20 mA / 10-0 V, 20-0 mA, 20-4 mA / 0-5V, 5-0V
- Measuring range 100 - 1950 mm
- Rodless design
- IP 40 (if mounted upside down IP 53)



model ELPC

- Internal signal conditioner
- Output 0-10 V, 0-20 mA, 4-20 mA / 10-0 V, 20-0 mA, 20-4 mA / 0-5V, 5-0V
- Measuring range 50 - 800 mm
- Orbital movement via ball joints on the both sides
- Strong mechanical structure (10 mm rod diameter)
- IP 65 protection class



model ERTM

- Internal signal conditioner
- Output 0-10 V, 0-20 mA, 4-20 mA / 10-0 V, 20-0 mA, 20-4 mA / 0-5V, 5-0V
- Measuring range 50 - 600 mm
- Orbital movement in square body fixing without brackets
- Infinite resolution
- IP 65 protection class



model ELSC

- Internal signal conditioner
- Output 4-20 mA / 0-10 V / 0-5V, 5-0V
- Measuring range 25 - 400 mm
- Excellent repeatability



OP-SC1A

model OP-SC1A

- Signal conditioner for resistive potentiometers
- Standardized output signals (0-10V, 0-20mA, 4-20mA)
- Rail type (OP-SC1A)

WORLDWIDE SALES NETWORK



Headquarter R&D , Production

Opkon Optik Elektronik
Kontrol Sanayi ve Ticaret A.Ş.
Terazidere Mah. 29 Ekim Cad. No:34
Bayrampaşa / İstanbul / TÜRKİYE

Phone : +90 (212) 501 48 63
Fax : +90 (212) 501 48 83
Web : www.opkon.com.tr
E-mail : export@opkon.com.tr

Germany Subsidiary

Sensormarket GmbH
Graeffstrasse .5,
50823 Köln/GERMANY

Phone : +49 22159495400
Fax : +49 22159495402
Web : www.sensormarket.eu
E-mail : sales@sensormarket.eu

China Subsidiary

Danzi Sense Technology
(Shanghai) Co., Ltd.
Room 123 -B, F/1, No. 1000 Ziyue Road,
Minhang District, 200240 Shanghai CHINA

Hotline: 400 8050 889
Phone : 021-64091719
Fax : 021-64091713
Web : www.danzisensors.com.cn
E-mail : marketing@opkonchina.com