

# Inoflex

MD880 series High Performance

Engineering Converter



**INOVANCE**  
Forward, Always Progressing

**Hong Kong SAR (export office)**  
Tel: +852 2751 6080  
info@inova-automation.com

**South Korea-Seoul**  
Tel: +82 (0) 10 7428 5732  
info@inova-automation.com

**India**  
Head Office Chennai  
Tel: +91 (0) 44 4380 0201  
Ahmedabad Tel: +91 (0) 79 4003 4274  
Mumbai Tel: +91 (0) 22 4971 5883  
Delhi Tel: (to be allotted)  
Sales Network in Kolkata, Bengaluru,  
Coimbatore, Hyderabad, Pune  
info.inovaindia@inova-automation.com

**Germany-Stuttgart**  
Tel: +49 (0) 7144 8990  
sales@powerautomation.com

**Italy-Milano**  
Tel: +39 (0) 2268 22318  
info@inova-automation.it

**France-Bordeaux**  
Tel: +33 (0) 5594 01050  
pa.france@powerautomation.com

**Turkey-Istanbul**  
Tel: +90 (0) 21 6706 1789  
info.turkey@inova-automation.com

# About INOVANCE

Since establishment, Inovance has been focusing on core technologies, such as motor drive and control, power electronics and industrial network communication. By adhering to technical marketing and industry marketing and the strategy of providing customized "automation + process" solutions for industry segments, Inovance realizes values both for customers and itself.

After 16 years' development, Inovance has grown from a pure AC drive supplier into a provider of comprehensive hydromechatronic products and solutions. Currently, Inovance's products mainly cover: ① Industrial automation products serving for intelligent equipment, including various core components such as AC drives, servo systems, control systems, industrial vision systems, sensors, high-performance motors and high-precision screws, and integrated hydromechatronic solutions; ② Core components, machines and solutions serving for industrial robots, including robot control systems, servo systems, vision systems, high-precision screws, SCARA robots and 6-axis robots; ③ Powertrain products serving for new-energy vehicles, including various inverters, auxiliary power systems, high-performance motors, DC/DC power and powertrain systems; ④ Traction and control systems serving for rail transit, including traction converters, auxiliary converters, medium-voltage cabinets, traction motors and train control and management systems (TCMSs); ⑤ Aftermarket industrial IoT solutions, including industrial clouds, application development platforms, intelligent hardware, and information management platforms. Inovance's products are widely used in various industries, including new-energy vehicles, elevators, air compressors, industrial robots/manipulators, 3C manufacturing, lithium battery, cranes, machine tools, metal products, wires and cables, plastics and rubber, printing and packaging, textile and chemical fibers, construction materials, metallurgy, coal mining, municipal construction, and rail transit.

As a high-tech enterprise specialized in R&D, production, and sales of industrial automation and new energy products, Inovance has mastered a series of core platform technologies such as high-performance vector control AC drive, servo system, programmable logic controller (PLC), encoder, and permanent magnet synchronous motor (PMSM) technology, as well as application technologies in industries such as new energy vehicle, elevator, crane, injection molding machine, textile, metal products, printing and packaging, and air compressor.

By December 31, 2018, Inovance has obtained 1,120 patents and software copyrights (excluding those under application), covering 260 invention patents, 570 utility model patents, and 146 design patents, and 144 software copyrights. In 2018, Inovance obtained 31 new invention patents, 157 new utility model patents, 42 new design patents, and 15 software copyrights.

Inovance was listed on the GEM Board of the Shenzhen Stock Exchange in September 2010, stock code: 300124.

# Service Network

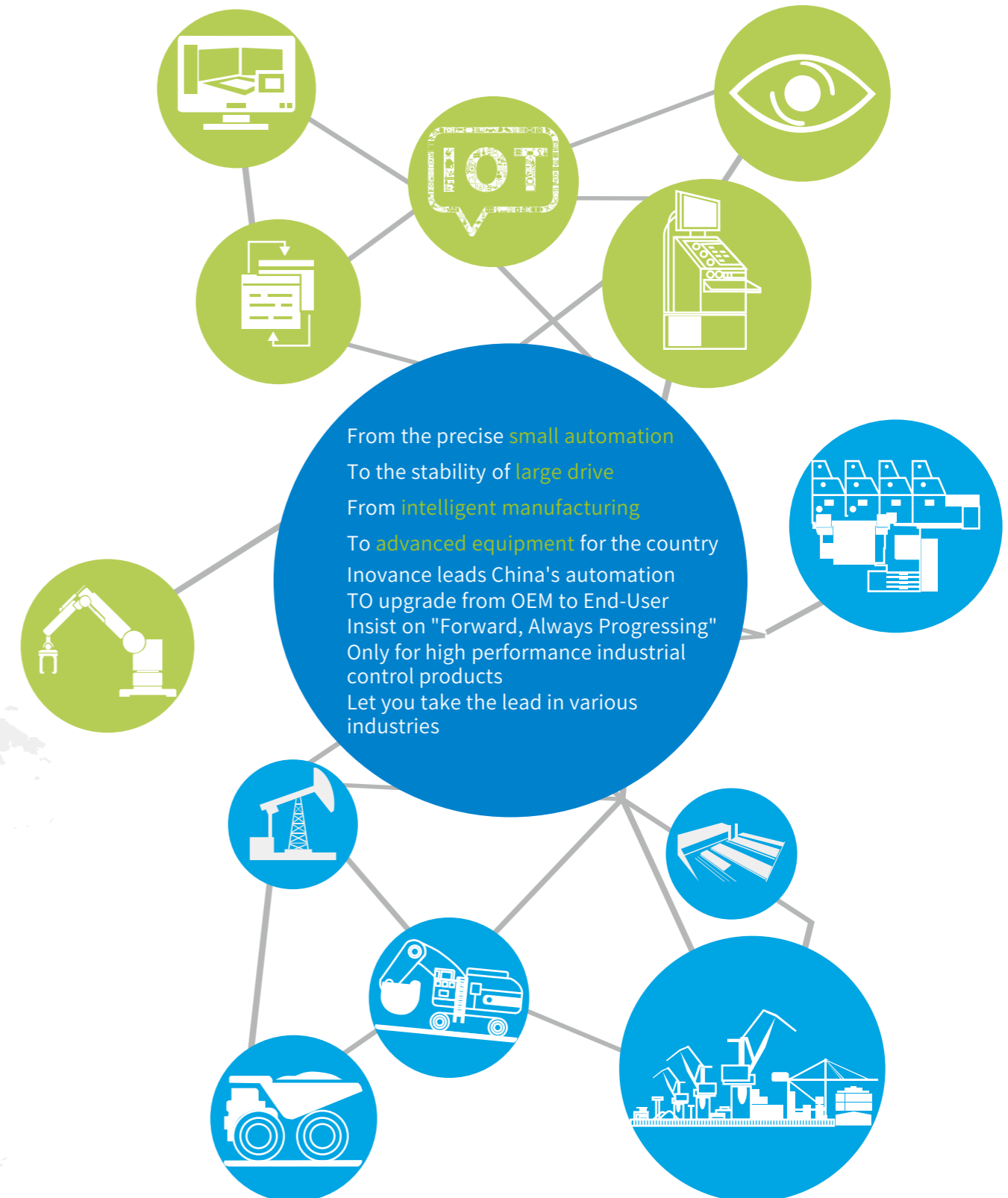
The company is headquartered in Shenzhen and has many subsidiaries in Suzhou, Hong Kong, etc

67 offices in China Over 500 sales and service engineers 271 authorized agent  
580 joint insurance centers 5 spare parts warehouses

- Shenzhen  
Shenzhen Inovance Technology Co., Ltd.  
Shenzhen Inovance Information Technology Co., Ltd.  
Shenzhen Inovance Control Technology Co., Ltd.
- Suzhou  
Suzhou Inovance Technology Co., Ltd.  
Suzhou Monarch Control Technology Co., Ltd.  
Jiangsu Kingway Rail Transportation Co., Ltd.  
Suzhou Inovance Automotive Co., Ltd.
- HK  
Inova Automation Co., Limited
- Changchun  
Changchun Huitong Optoelectronic Co., Ltd. (Weton)
- Shanghai  
Shanghai MoBst Elevator Technology Co., Ltd.  
Shanghai LAIEN Machine Tool Parts Co., Ltd.  
Shanghai BST Electric Co., Ltd.
- Nanjing  
Nanjing Inovance Industrial Vision Technology Co., Ltd.
- Ningbo  
Ningbo EST Technology Co., Ltd.
- Hangzhou  
Hangzhou Huikun Control Technology Co., Ltd.



# INOVANCE Everywhere



# MD880 series High Performance Engineering Converter

Engineering Converter, New Product, New Benchmark

Support industry upgrading



## Overview

MD880 is a high-end frequency conversion and speed regulation product technology platform of Inovance Technology, which is divided into two topologies: single drive and multi drive. It is a drive product positioned at high-end drive application, high-performance speed and torque control, high reliability, flexible system integration, friendly debugging and maintenance, and high power density. Whether it's the module structure, power density, response and accuracy, or the application scope of the product, MD880 has set up a new industry benchmark.

## Application

### ■ Metal

High speed line bar and strip hot rolling equipment, wide and thick plate equipment, cold rolling machine, pickling line, annealing line, galvanized line, color coating line, non-ferrous alloy manufacturing equipment, non-ferrous rolling equipment, etc.

### ■ Oil & Gas

Offshore drilling rig and workover rig, offshore modular drilling rig, land drilling rig, drilling rig retrofit, intelligent electric/battery driven tractor hoist, electric driven sand mixing Equipment and other petroleum engineering equipment.

### ■ Pulp & Paper

Paper making joint equipment, including continuous production lines of headbox, mesh, pressing, drying, sizing, hard calendering, coating, super calender, rewinder, etc.

### ■ Crane

STS crane, tyre (rail) container gantry crane, ship unloader, grab gantry crane, large shipbuilding gantry crane, large metallurgical casting crane, etc.

### ■ Marine

Electrical propulsion, winch drive, new energy vessel and DC grid, etc.

### ■ Cable

Large frame winch, winch, copper/aluminum large wire drawing machine (with multi motors), etc.

### ■ Wind power converter, test stand, PCS, mining

# Highly flexible modular design

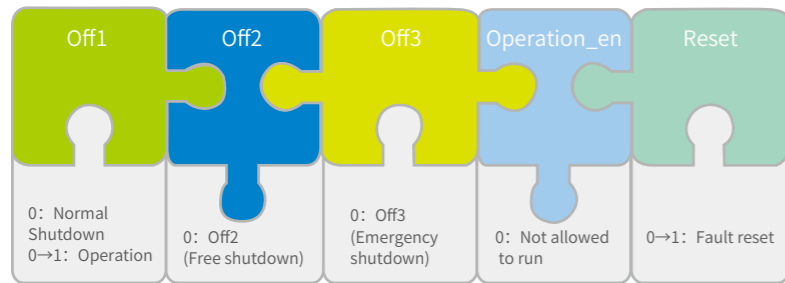
Support the free building of software and hardware modules, and meet your customized needs without changing the code

- 01 Enjoy the fun of free programming
- 02 Flexible commissioning of open data flow chart
- 03 Flexible configuration of various expansion cards

## 01 Free Programming

### Control word free configuration

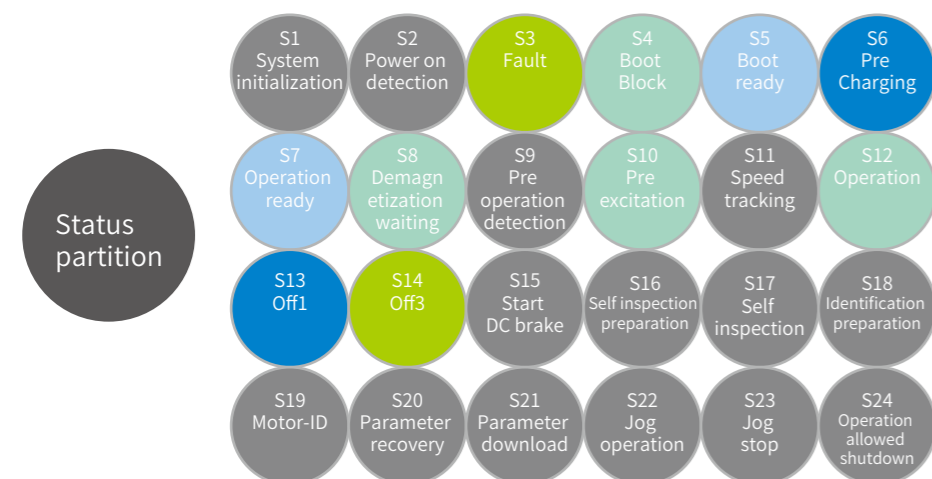
Expansion card input terminal status, control board input terminal status, drive status word, drive operation status data.



Definition of common control words

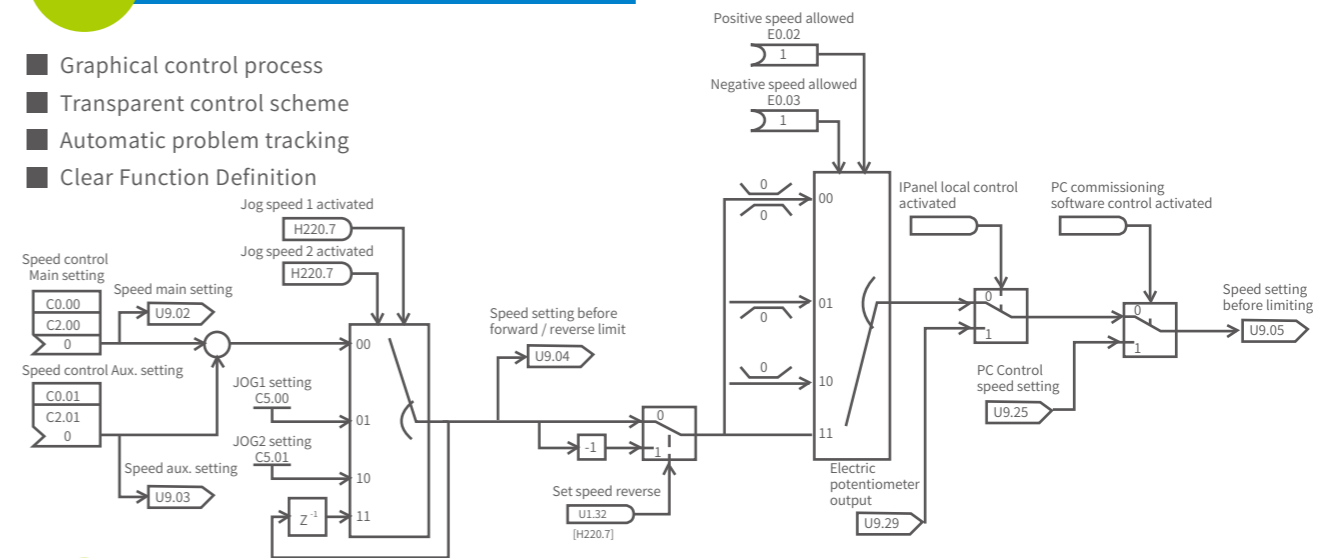
### Software modular free configuration

Call resource pool (variable data of each software block, bus process data, speed channel, torque channel, ramp function generator, etc.).



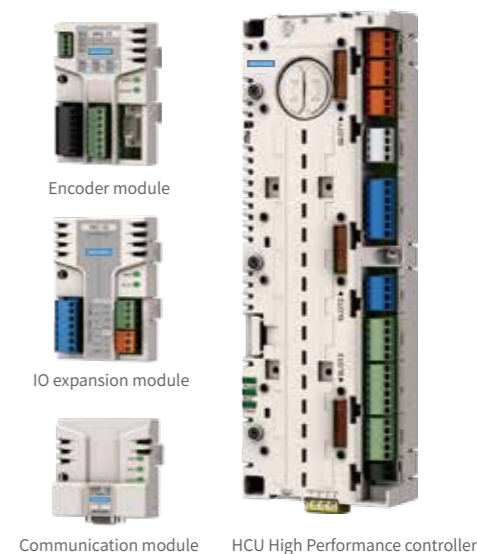
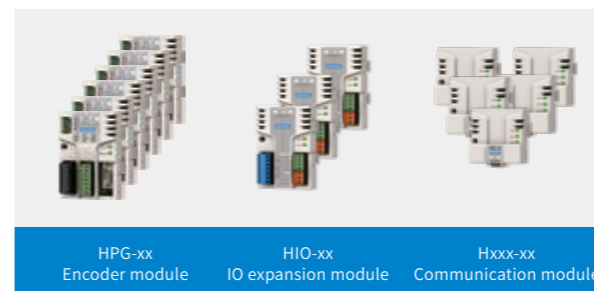
## 02 Flexible Commissioning

- Graphical control process
- Transparent control scheme
- Automatic problem tracking
- Clear Function Definition



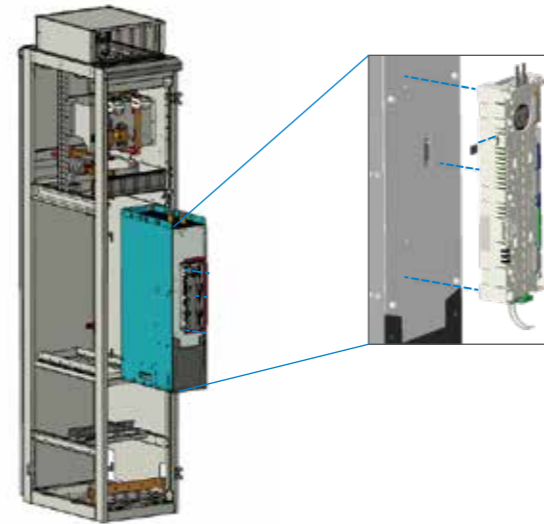
## 03 Various Expansion Cards

- HCU Controller packaged independently, with 3 expansion slots
- External expansion up to 7 expansion slots
- Support multiple types of expansion modules



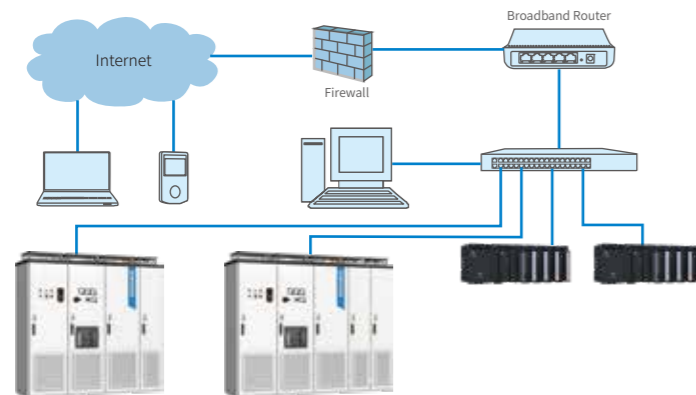
## 01 Fast troubleshooting on site

- No need to replace HCU controller, no need to remove communication, control and encoder cables, no need to burn back-up parameters and system software, quickly restore production line operation, reduce operation loss;
- The HCU controller adopts plug-in SD card, which can store parameters and system software to realize quick replacement of HCU;
- The system clock powered by battery will not be affected by power failure, so as to ensure the time stamp of HCU event recorder is accurate and reliable.



## 02 Remote diagnostic

- Under the authorization of customers, technicians can connect to the remote server on site through VPN, check the fault records, check the system parameters, observe the operation data, help customers quickly locate the fault, optimize the process, and improve the production efficiency.



## 03 Redundancy design of bus software

- Prevent data blockage, bus redundancy for information reliability.

## 04 Black box function

- Store the waveform data within the specified time before and after for 50 faults;
- 1000 groups of data cycle over storage.



## 05 Fault level self diagnosis

- Automatically judge the fault level and display the fault information in real time on the LCD screen, so as not to report the fault randomly and stop the machine easily, and provide guidance and analysis for the fault.

Level 1	Fault free stop
Level 2	Fault deceleration stop
Level 3	Fault, continue derating operation
Level 4	Continue operation, limit frequency
Level 5	Continue operation, can't start again
Level 6	Continue operation, can restart
Level 7	Ignore fault

- 01 Fast troubleshooting on site
- 02 Remote diagnostic
- 03 Redundancy design of bus software
- 04 Black box function
- 05 Fault level self diagnosis

Stable and Reliable Performance  
10 years of long life time and stable hardware, multiple fault handling methods to ensure the on-site recovery of production in average 30min

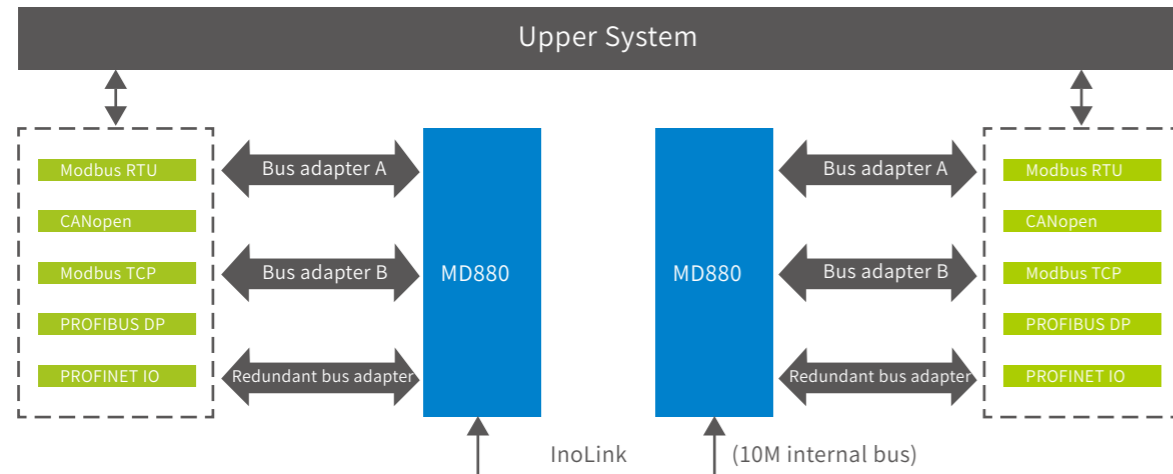
# Perfect Adaptability and Compatibility

Without changing the original program of PLC, the perfect compatibility of various upper systems

- 01 The perfect compatibility of various upper systems
- 02 Built-in motor simulation model
- 03 Optional structure mounting bracket
- 04 Sufficient capacitance for inverter

## 01 Compatibility of upper systems

- Powerful data conversion tool + parameter interconnection + bus adaptation function, no need to change the upper system program and configuration file, perfect compatibility with any communication bus type.



## 02 Built-in motor simulation model

- The unique design of motor simulation model, breaks the high threshold of upper system debugging, and makes debugging simple and fast.



## 03 Structure mounting bracket

- Support the specific frame size structure similar to the existing customer's converter power module, which can realize the quick replacement / retrofitting on site. (Optional)

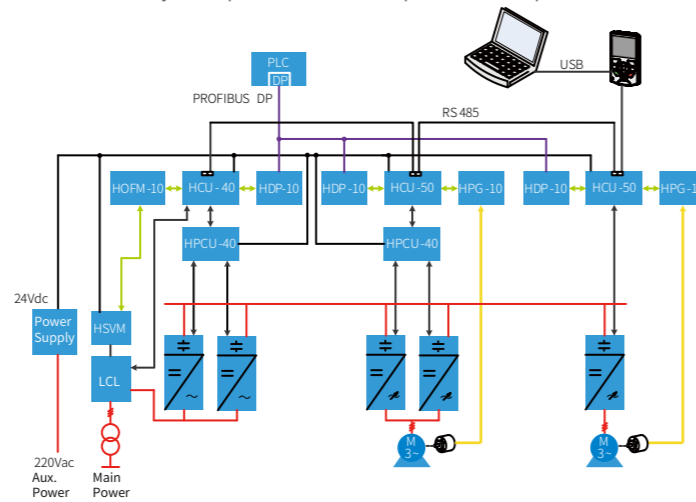
## 04 Inverter w. Sufficient capacitance

- MD880 has lower limitation on rectifier; due to the inverter with sufficient capacitance and makes it very compatible with third-party rectifier.

## 01 InoDriveStudio Quick Commissioning

InoDriveStudio is a standard PC commissioning software for the multi drive product family of Inovance Technology. The software interface is friendly and easy to use. The commissioning engineer can complete the simple configuration, parameter setting, fault detection, system maintenance and service of the complex system in a short time through the menu operation of the graphical interface.

InoDriveStudio can record the trend of up to 8 signals, which simplifies the diagnosis and optimization of frequency converter. Meanwhile, the internal high-speed data recorder of HCU controller can be accessed, and the information of 50 observed objects before and after the fault can be completely restored, which can help the engineer to locate the fault efficiently and optimize the control process of the production line.



## 02 SOP-20-880 Operation Panel

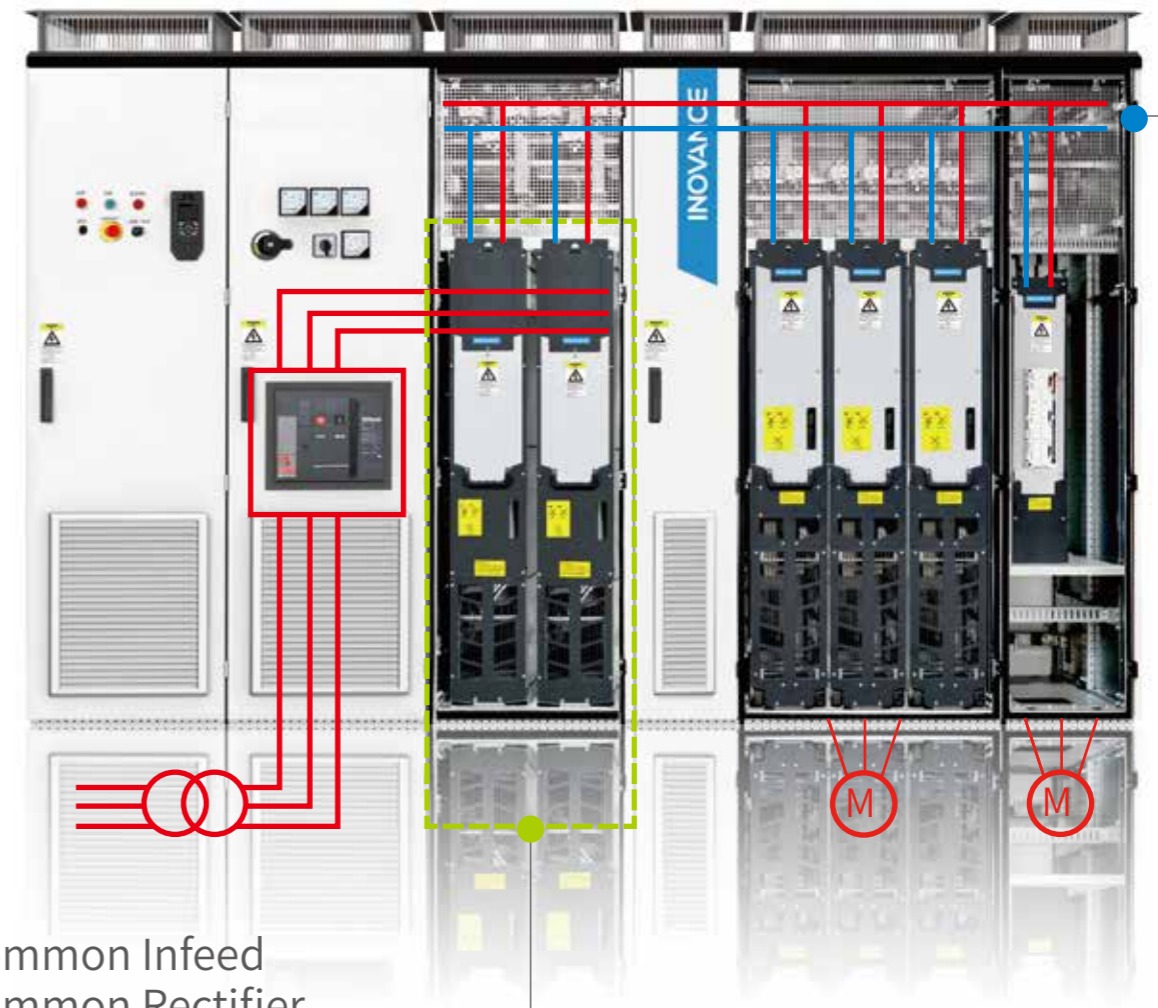
- LCD Screen
- 240mm × 160mm
- PC can connect to HCU via SOP-20's mini USB port
- Language: Chinese / English
- 8-line text display
- Parameter copy and recovery



# MD880 multi-drive system topology and characteristics

## Common DC Bus

- Effectively reduce the rectifier module and brake module current and the device capacity.
- In the crane or uncoiling application, the regenerative energy can be shared through the common DC bus.
- Chassis module can effectively use the depth of the cabinet, improve the utilization rate of the cabinet, reduce the number of the cabinet, and save 30% - 60% of the floor area.
- The power module and optional parts can be assembled in the standard cabinet to ensure the overall high quality of the drive system. 2 alternatives: chassis or cabinet to meet the diversified needs of integrators and end users



## Common Infeed Common Rectifier

- Compared with single-drive, a large number of infeed cables and protection equipment are saved;
- Ensure the overall safety and control function of the device, and improve the reliability.

# MD880 HCU – High Performance Controller

Expansion Slot 1

Expansion Slot 2

Expansion Slot 3

Safe Torque Off

3xRO

InoLink

2xAI

2xAO

2xHDI+2xHDO

7xDI

DI 24V Output

Ext.24V Input

HCU is the main controller of Inovance technology's new generation frequency converter control system. It supports HE series and MD880 series products, and is used to control basic rectifier, active rectifier and inverter power module. It has strong functions, compact structure, strong scalability, high reliability, fast and flexible communication, excellent control algorithm, etc. It can realize V/F control, vector control without encoder (SVC), vector control with encoder (FVC).

High-Performance

High-Connectivity

High-Quality

High-Reliability

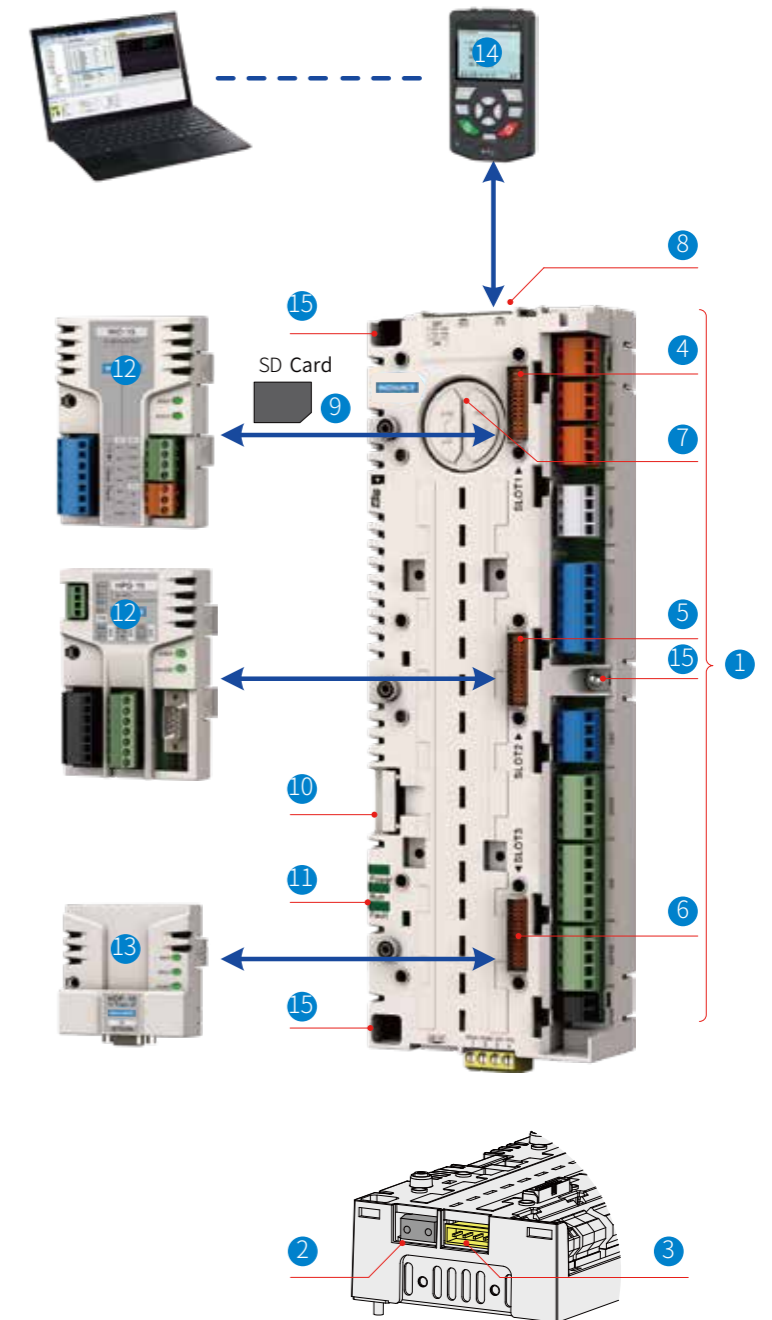
## HCU Expansion Module

Item	IO Module	Encoder Module	Communication Module	Optical Fiber Module
Pic				
Category	1. HIO-10: IO Extension Module (2xDIO+2xAI+2xAO+1RO)	1. HPG-10: HTL incremental encoder card 2. HPG-20*: UWV encoder card 3. HPG-30*: Sin/Cos encoder card 4. HPG-40: Resolver encoder card 5. HPG-50: TTL incremental encoder card	Field Bus Communication Card HDP-10:PROFIBUS DP HCAN-10:CANopen HMBA-10:Modbus RTU Industrial Ethernet Card HPFN-10:PROFINET IO HMBT-10:Modbus TCP Ethernet Maintenance network module 1. HETN-10:EtherNet Maintenance network module	Optical Fiber Expansion Module 1.HOFM-10 For 1 pair of Optical fiber 2.HOFM-30 For 3 pairs of Optical fiber

※Note:HPG-20、HPG-30 are under developing

## HCU Controller Interface

No.	Item	Function Description
1	User Terminal	HCU standard terminals
2	Fiber Optic	Fiber optic interface (communication with inverter)
3	STO Terminal	Safe torque off terminals
4	SLOT1	Extension function module interface
5	SLOT2	Extension function module interface
6	SLOT3	Extension function module interface
7	Battery cover	RTC battery cover
8	SOP port	2 RJ45 port, communication with SOP-20-880
9	SD card	SD card for HCU, can store parameter and drive data
10	Safety Module slot	Safety module reserve
11	LED Light	Power, run, fault indication
12	Extension function module SIZE1	105x73x24(mm)
13	Extension function module SIZE2	75x73x24(mm)
14	Smart Panel	SOP-20-880
15	Fastening hole	For installation screw





# MD880 Series Product

## Single Drive Naming Rules



MD880 - 01S - 0849 - 4 - L

① MD880 Product Series	④ 4 400V 7 690V	⑤ B Brake Unit L with motor reactor
② 01S Single Drive product series		
③ 0849 Rate current		

## Multi Drive Naming Rules



MD880 - 50M - 0900 - 4

① MD880 Product Series	③ 0900A Rated Current
② 20M Basic Rectifier 30M Regenerative Rectifier 40M AFE Rectifier 50M Inverter Unit 60M Brake Chopper 30K Regenerative Rectifier Frame Package 40K AFE Rectifier Frame Package	④ 4 400V Voltage Level 5 500V Voltage Level 7 690V Voltage Level




# MD880 Single Drive





Module type	MD880 Single Drive					
Picture						
	FrameSize: T2	FrameSize: T3	FrameSize: T4	FrameSize: T5	FrameSize: T6	FrameSize: T7
Voltage	380V - 480V					
Power	5.5 - 7.5kW	11 - 15kW	18.5kW	22 - 30kW	37 - 45kW	55 - 75kW
Max. Weight (kg)	8.5	11	12.2	17.6	27.6	37.5
Dimension (WxDxH) mm	140*338*450	150*348*470	190*348*478	230*357*500	265*387*510	300*425*542

Module type	MD880 Single Drive				
Picture					
	FrameSize: T8	FrameSize: T9	FrameSize: T10	FrameSize: T11	FrameSize: T12
Voltage	380V - 480V				
Power	90 - 132kW	160 - 200kW	220 - 250kW	280 - 315kW	355 - 450kW
Max. Weight(kg)	54	87.5	110 160 (-L)	155 215 (-L)	185 245 (-L)
Dimension (WxDxH) mm	338*465*580	400*470*915	360*500*1134	390*545*1284	400*545*1403
			360*500*1472 (-L)	390*545*1622 (-L)	400*545*1735 (-L)

Note: (-L) with choke

# MD880 Multi Drive Power Module

Module Type	Inverter						Basic Rectifier
Picture							
	FrameSize: H1-H3	FrameSize: H4	FrameSize: H6	FrameSize: H7	FrameSize: H8	FrameSize: T2	
Power	380-415V: H1: 3.7-11kW H2: 15-30kW H3: 37-45kW	380-415V: 55-90kW	380-415V: 110-132kW 525-690V: 55-160kW	380-415V: 160-200kW 525-690V: 200-250kW	380-415V: 250-500kW 525-690V: 315-560kW	380-415V: 475-649kW 525-690V: 650-929kW	
Rect./INV.	DC/AC Inverter	DC/AC Inverte	DC/AC Inverte	DC/AC Inverter	DC/AC Inverter	AC/DC Rectifier	
Max Weight(kg)	10	20	35	45	130	188	
Dimension (WxDxH) mm	100x413x415	200x413x415	180x440x770	180x465x920	230x582x1395	230x582x1395	

Package Type	AFE Rectifier Frame Package		Regenerative Rectifier Frame Package	
Picture				
	FrameSize: BLCL+H8	FrameSize: BLCL+2xH8	FrameSize: L+H8	FrameSize: L+2xH8
Power	380-415V: 394-556kW 525-690V: 437-639kW	380-415V: 749-1056kW 525-690V: 829-1214kW	380-415V: 423-595kW 525-690V: 684-1026kW	380-415V: 787-1106kW 525-690V: 1272-1909kW
Max Weight (kg)	460	650	320	480
Dimension (WxDxH) mm	631x624x1450	874x624x1450	631x624x1450	874x624x1450

# MD880 Series Product

## Control Unit and Optional Function Module

No.	Name	Module Type	Function Description
1	Control Unit	HCU-20	Basic Rectifier Control Unit
		HCU-30	Regenerative Rectifier Control Unit
		HCU-40	AFE Rectifier Control Unit
		HCU-50	Inverter Control Unit
		HCU-60	3-Phase Braking Unit Control Unit
2	Parallel Running Control Unit	HPCU-40	For 2~4 Modules Parallel Running
		HPCU-60	For 2~6 Modules Parallel Running
		HPCU-A0	For 2~10 Modules Parallel Running
3	Function expansion card	HESD-10	HCU slot extension
4	Sync. Voltage sensing Module	HSVM-10	AC voltage sensing
5	Encoder Card	HPG-10	HTL incremental encoder card
		HPG-20	UVW encoder card
		HPG-30	Sin/Cos encoder card
		HPG-40	Resolver encoder card
		HPG-50	TTL incremental encoder card
6	Inobus Optical Fiber card	HOFM-10	For 1 pair of 50M Optical fiber
		HOFM-30	For 3 pairs of 50M Optical fiber
7	Smart Operation Panel	SOP-20-880	LCD Operation Panel
8	Field Bus Adapter	HCAN-10	CANopen adapter
		HMBA-10	Modbus RTU adapter
		HDP-10	PROFIBUS DP adapter
9	Industrial Ethernet Adapter	HPFN-10	PROFINET IO adapter
		HMBT-10	Modbus TCP adapter
10	Maintenance network module	HETN-10	EtherNet Maintenance network module
11	Optical Fiber Router Module	HOFR-50	Data Communication within 2~5 HCU
12	IO Extension Module	HIO-10	(2xDIO+2xAI+2xAO+1RO)
13	Process Data Acquisition Module	HIBA-10	PDA module

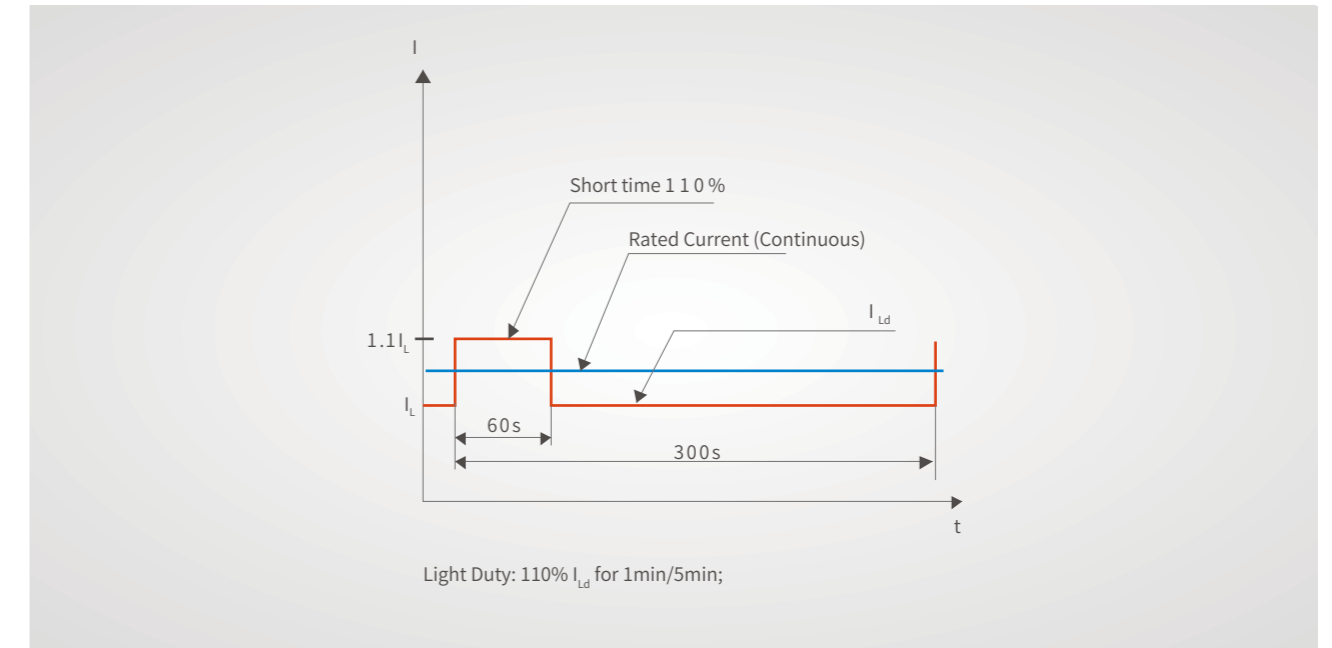
# MD880 Technical Specifications

## MD880 General Parameters

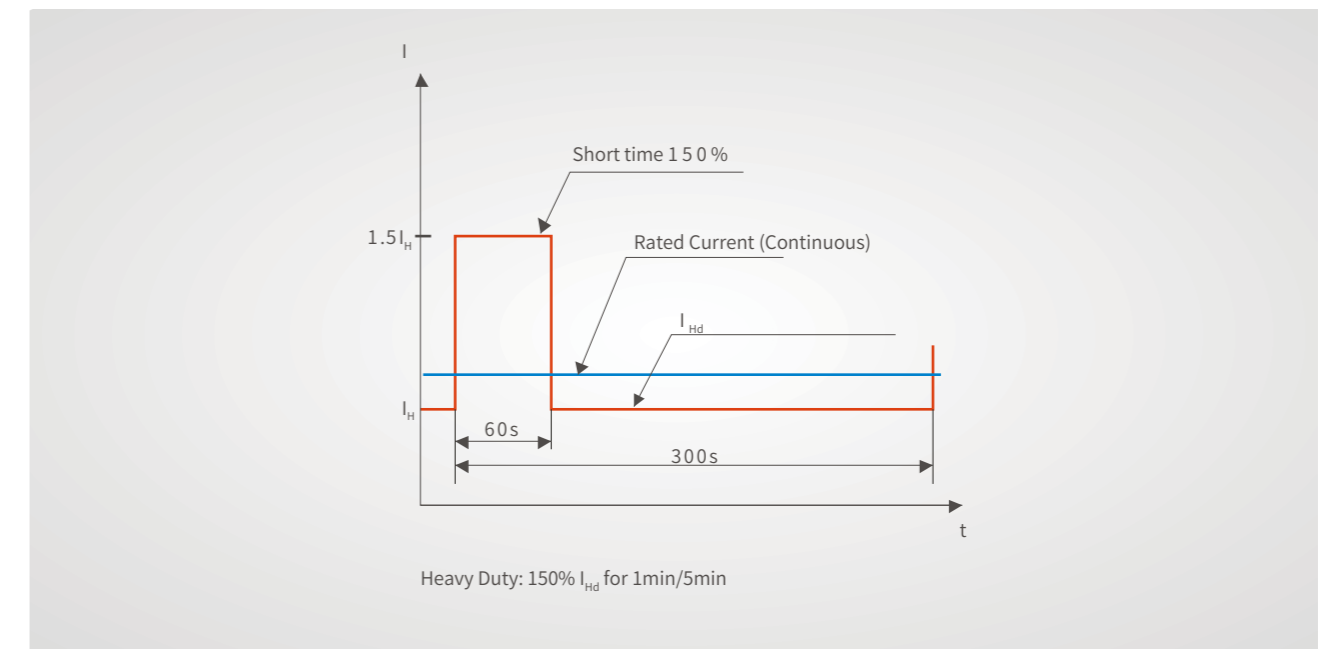
Item		Specifications
Basic Rectifier	Input AC Voltage	4: 380~415VAC, 7: 525~690VAC; -10%~+10% (-15%, <1min)
	Frequency Range	47-63Hz
	Output Voltage	4: 540~590VDC, 7: 740~975VDC
	Overload Capacity	Light Duty: 110% ILd for 1min/5min; Heavy Duty: 150% IHd for 1min/5min
	Efficiency	99%
	Power Factor	cosφ>0.95 (fundamental)
Regenerative Rectifier	Input AC Voltage	4: 380~415VAC, 7: 525~690VAC; -10%~+10%(-15%, <1min)
	Frequency Range	47-63Hz
	Output Voltage	4: 540~590VDC, 7: 740~975VDC
	Overload Capacity	Light Duty: 110% ILd for 1min/5min; Heavy Duty: 150% IHd for 1min/5min
	Efficiency	>98%
	Power Factor	cosφ>0.95 (fundamental)
AFE Rectifier	Input AC Voltage	4: 380~415VAC, 7: 525~690VAC; -10%~+10% (-15%, <1min)
	Frequency Range	47-63Hz
	Output Voltage	4: 570~720VDC, 7: 790~1035VDC (Adjustable)
	Overload Capacity	Light Duty: 110% ILd for 1min/5min; Heavy Duty: 150% IHd for 1min/5min
	Efficiency	>97%
	Power Factor	Adjustable (default setting: cosφ= 1)
Inverter/Single Drive	Input AC Voltage	Inverter: 4: 540~720VDC, 7: 740~1035VDC; Single Drive: 380~480VAC
	Output Voltage	Inverter: 4: 0~415VAC, 7: 0~690VAC; Single Drive: 0~480VAC
	Output Frequency	0~300Hz
	Efficiency	>98.5%
	Motor Control Mode	V/F、SVC、FVC
	Speed Range	V/F: 1:50, SVC: 1:200, FVC: 1:1000
	Speed Accuracy	SVC: ±5%Fsl(motor slip), FVC: ± 0.01%
	Torque Response	SVC ≤5ms, FVC ≤5ms
	Torque Control Mode	No speed sensor vector control (SVC), with speed feedback vector control (FVC)
	Start Torque	0.5Hz/150%(SVC), 0Hz/200%(FVC)
	Overload Capacity	Light Duty: 110% ILd for 1min/5min; Heavy Duty: 150% IHd for 1min/5min
Control Unit Interface	Analog Input	2 AI:-10V~+10V or -20mA~+20mA Jumper selection
	Analog Output	2 AO:0V~10V or 0~20mA Jumper selection
	Digital Input	7 DI:NPN/PNP;"0"<5,"1">15,Rin:2K ohm;
	High Speed Digital Input	2 HDI:NPN/PNP;"0"<5,"1">15,Rin:2K ohm;24V Logic level, Input Frequency <100kHz
	High Speed Digital Output	2 HDO: OC;Max Input Voltage 30VDC;24V Logic level, Output Frequency <100kHz
	Relay Output	3 RO: NO or NC output;250V AC/30V DC,2A
	Smart Panel and PC connection	Interface: 2x RJ45; physical layer:EIA-485;master/slave, max communication speed:4Mbps
	Safety Function	STO
Environment	Inolink Communication	physical layer:EIA-485; max communication speed:5Mbps
	Operate Ambient temperature	-10 to +40 °C, no frost allowed,+40 to +50 °C with derating
	Storage Ambient temperature	5 to +90 °C no condensation
Mechanical Data	Altitude	0 to 1,000m Without derating, 1,000 to 4,000m With derating
	Anti Vibration	GB/T4798.3 - 3M4 vibration level
	Protection Degree	Module:IP00; Cabinet:IP21,option: IP23,IP43
	Safety	EN 61800-5-1
	Cooling Method	Forced Air-Cooled EN 60146

# MD880 Series Product

## Light Duty Curve

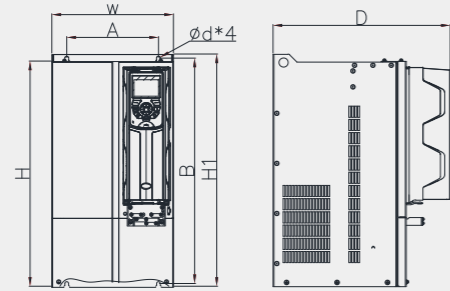


## Heavy Duty Curve



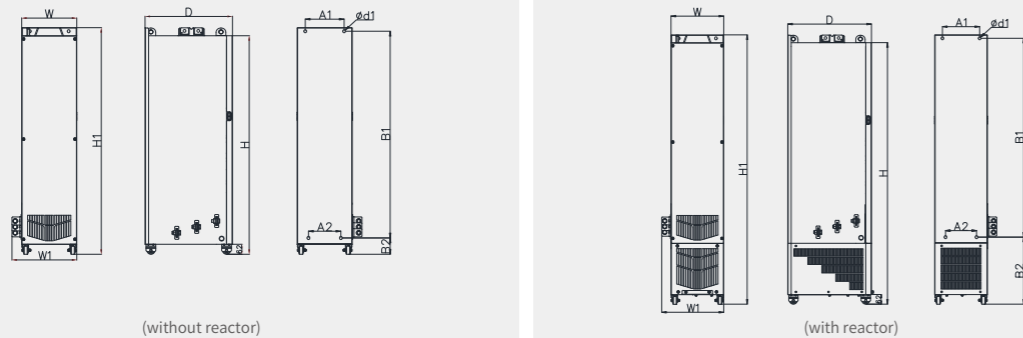
# MD880 Single Drive Frame Size and Technical Specifications

## T2~T9 Frame Size



Frame Size	Installation Hole Position mm		Size mm				Installation aperture mm	Weight kg
	A	B	H	H1	W	D		
T2	90	423	435	450	140	338	φ6	8.5
T3	90	443	455	470	150	348	φ6	11
T4	140	443	465	478	190	348	φ6	12.2
T5	170	485	484.5	500	230	357	φ8	17.6
T6	200	495	493	510	265	387	φ8	27.6
T7	245	523	525	542	300	425	φ10	37.5
T8	270	560	554	580	338	465	φ10	54
T9	320	890	874	915	400	470	φ10	87.5

## T10~T12 Frame Size



Frame Size	Installation Hole Position mm				Size mm					Installation aperture mm	Weight kg
	A1	A2	B1	B2	H	H1	W	W1	D		
T10	240	150	1035	86	1086	1134	300	360	500	φ13	110
T11	225	185	1175	97	1249	1284	330	390	545	φ13	155
T12	240	200	1280	101	1353	1403	340	400	545	φ16	185
T10(w. Choke)	240	150	135	424	1424	1472	300	360	500	φ13	160
T11(w. Choke)	225	185	1175	435	1586	1622	330	390	545	φ13	215
T12(w. Choke)	240	200	1280	432	1683	1735	340	400	545	φ16	245

## Technical Specifications

Converter Model	No overload		Light Duty		Heavy Duty		Dimension (WxDxH) mm	Weight (kg)	Power loss (kW)
	Current (A)	Power (kW)	Current (A)	Power (kW)	Current (A)	Power (kW)			
Un:400V AC (380V AC~480V AC)									
MD880-01S-0012-4-B	12.0	5.5	12.0	5.5	9.0	3.7	140×338×450	8.5	0.12
MD880-01S-0017-4-B	17.0	7.5	17.0	7.5	13.0	5.5			0.195
MD880-01S-0024-4-B	24.0	11.0	23.0	11.0	17.0	7.5	150×348×470	11	0.262
MD880-01S-0033-4-B	33.0	15.0	32.0	15.0	25.0	11			0.445
MD880-01S-0038-4-B	38.0	18.5	37.0	18.5	32.0	15	190×348×478	12.2	0.553
MD880-01S-0048-4-B	48	22	45	22	37	18.5	230×357×500	17.6	0.478
MD880-01S-0060-4-B	60	30	58	30	45	22			0.551
MD880-01S-0078-4-B	78	37	75	37	60	30	265×387×510	27.6	0.694
MD880-01S-0094-4-B	94	45	91	45	75	37			0.815
MD880-01S-0116-4-B	116	55	112	55	91	45	300×425×542	37.5	1.01
MD880-01S-0149-4-B	149	75	143	75	112	55			1.21
MD880-01S-0183-4-B	183	90	176	90	150	75	338×465×580	54	1.57
MD880-01S-0217-4	217	110	210	110	176	90			1.81
MD880-01S-0262-4	262	132	253	132	210	110			2.14
MD880-01S-0314-4	314	160	304	160	253	132	400×470×915	87.5	2.85
MD880-01S-0383-4	383	200	370	200	304	160			3.56
MD880-01S-0441-4	441	220	426	220	377	200	360×500×1134	110	4.15
MD880-01S-0481-4	481	250	465	250	426	220			4.55
MD880-01S-0441-4-L	441	220	426	220	377	200	360×500×1472	160	4.15
MD880-01S-0481-4-L	481	250	465	250	426	220			4.55
MD880-01S-0538-4	538	280	520	280	465	250	390×545×1284	155	5.06
MD880-01S-0605-4	605	315	584	315	520	280			5.33
MD880-01S-0538-4-L	538	280	520	280	465	250	390×545×1622	215	5.06
MD880-01S-0605-4-L	605	315	584	315	520	280			5.33
MD880-01S-0673-4	673	355	650	355	585	315	400×545×1403	185	5.69
MD880-01S-0751-4	751	400	725	400	650	355			6.31
MD880-01S-0849-4	849	450	820	450	725	400			6.91
MD880-01S-0673-4-L	673	355	650	355	585	315	400×545×1735	245	5.69
MD880-01S-0751-4-L	751	400	725	400	650	355			6.31
MD880-01S-0849-4-L	849	450	820	450	725	400			6.91

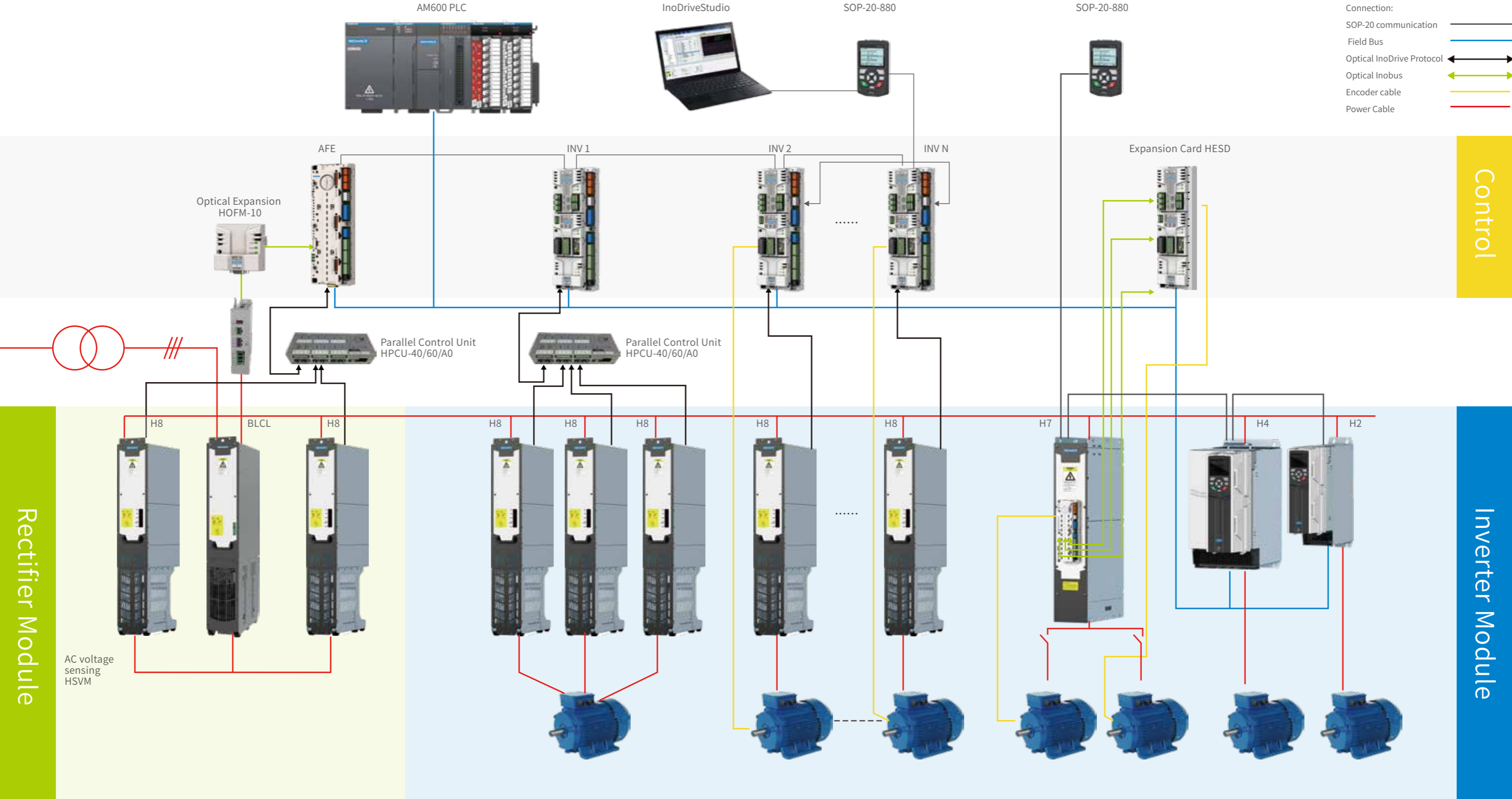
Note: Single drive model could be used as order number directly.

# MD880 Multi Drive System Structure and Features



Note: Power Module and Cabinet Module are both available to order.

# MD880 Multi Drive Topology



# MD880 Multi Drive Product Specifications

## MD880-20 Basic Rectifier

UN = 400V (380 ~ 415 V) , ±10% (-15%, <1min) , Rated power according to 400V										
Basic Rectifier: MD880-20...	No Overload					Light Duty		Heavy Duty		Frame Size
	I <sub>N</sub>	I <sub>N</sub>	I <sub>Max</sub>	S <sub>N</sub>	P <sub>N</sub>	I <sub>Ld</sub>	P <sub>Ld</sub>	I <sub>Hd</sub>	P <sub>Hd</sub>	
	A (AC)	A (DC)	A (DC)	kVA	kW (DC)	A (DC)	kW (DC)	A (DC)	kW (DC)	
<b>6 pulse</b>										
0718-4	718	879	1142	497	475	844	456	659	356	T2
0982-4	982	1202	1562	680	649	1154	623	901	487	T2
1336-4	1336	1635	2126	926	883	1570	848	1226	662	2×T2
1826-4	1826	2235	2905	1265	1207	2146	1159	1676	905	2×T2
2739-4	2739	3352	4358	1898	1810	3218	1738	2514	1358	3×T2
3651-4	3651	4469	5809	2529	2413	4290	2317	3351	1810	4×T2
4564-4	4564	5586	7262	3162	3016	5363	2896	4190	2262	5×T2
5477-4	5477	6704	8715	3794	3620	6435	3475	5028	2715	6×T2
<b>12 pulse</b>										
1336-4	1336	1635	2126	926	883	1570	848	1226	662	2×T2
1826-4	1826	2235	2905	1265	1207	2146	1159	1676	905	2×T2
2674-4	2674	3273	4255	1853	1767	3142	1697	2455	1325	4×T2
3651-4	3651	4469	5809	2529	2413	4290	2317	3351	1810	4×T2
4008-4	4008	4906	6377	2777	2649	4709	2543	3679	1987	6×T2
5477-4	5477	6704	8715	3794	3620	6435	3475	5028	2715	6×T2
UN = 690V (525~690V) , ±10% (-15%, <1min) , Rated power according to 690V										
<b>6 pulse</b>										
0570-7	570	698	907	681	650	670	624	523	487	T2
0815-7	815	998	1297	974	929	958	892	748	697	T2
1061-7	1061	1299	1688	1268	1210	1247	1161	974	907	2×T2
1515-7	1515	1854	2411	1811	1727	1780	1658	1391	1295	2×T2
2273-7	2273	2782	3617	2716	2591	2671	2488	2087	1944	3×T2
3031-7	3031	3710	4823	3622	3456	3561	3317	2782	2592	4×T2
3788-7	3788	4636	6027	4527	4319	4451	4146	3477	3239	5×T2
4546-7	4546	5564	7233	5433	5183	5341	4976	4173	3887	6×T2
<b>12 pulse</b>										
1061-7	1061	1299	1688	1268	1210	1247	1161	974	907	2×T2
1515-7	1515	1854	2411	1811	1727	1780	1658	1391	1295	2×T2
2122-7	2122	2597	3376	2536	2419	2493	2323	1948	1814	4×T2
3031-7	3031	3710	4823	3622	3456	3561	3317	2782	2592	4×T2
4546-7	4546	5564	7233	5433	5183	5341	4976	4173	3887	6×T2

Note: the above is only specification data, please refer to the ordering guide for specific ordering.

# MD880 Multi Drive Product Specifications

## MD880-30 Regenerative Rectifier

UN = 400V (380 ~ 415 V) , ±10% (-15%, <1min) , Rated power according to 400V										
Regenerative Rectifier: MD880-30...	No Overload					Light Duty		Heavy Duty		Frame Size
	I <sub>N</sub>	I <sub>N</sub>	I <sub>Max</sub>	S <sub>N</sub>	P <sub>N</sub>	I <sub>Ld</sub>	P <sub>Ld</sub>	I <sub>Hd</sub>	P <sub>Hd</sub>	
	A (AC)	A (DC)	A (DC)	kVA	kW (DC)	A (DC)	kW (DC)	A (DC)	kW (DC)	
0640-4	640	783	1018	443	423	752	406	587	317	L+H8
0900-4	900	1102	1432	624	595	1057	571	826	446	L+H8
1190-4	1190	1457	1894	825	787	1399	755	1093	590	L+2×H8
1674-4	1674	2049	2664	1160	1106	1967	1062	1537	830	L+2×H8
2380-4	2380	2913	3787	1649	1573	2796	1510	2185	1180	2×(L+2×H8)
3348-4	3348	4098	5327	2319	2213	3934	2124	3073	1660	2×(L+2×H8)
5022-4	5022	6147	7991	3479	3319	5901	3186	4610	2489	3×(L+2×H8)
UN = 690V (525 ~ 690V) , ±10% (-15%, <1min) , Rated power according to 690V										
Regenerative Rectifier: MD880-30...	No Overload					Light Duty		Heavy Duty		Frame Size
	I <sub>N</sub>	I <sub>N</sub>	I <sub>Max</sub>	S <sub>N</sub>	P <sub>N</sub>	I <sub>Ld</sub>	P <sub>Ld</sub>	I <sub>Hd</sub>	P <sub>Hd</sub>	
	A (AC)	A (DC)	A (DC)	kVA	kW (DC)	A (DC)	kW (DC)	A (DC)	kW (DC)	
0600-7	600	734	955	717	684	705	657	551	513	L+H8
0900-7	900	1102	1432	1076	1026	1057	985	826	770	L+H8
1116-7	1116	1366	1776	1334	1272	1311	1221	1024	954	L+2×H8
1674-7	1674	2049	2664	2001	1909	1967	1832	1537	1431	L+2×H8
2232-7	2232	2732	3551	2667	2545	2623	2443	2049	1909	2×(L+2×H8)
3348-7	3348	4098	5327	4001	3817	3934	3664	3073	2863	2×(L+2×H8)
5022-7	5022	6147	7991	6002	5726	5901	5497	4610	4294	3×(L+2×H8)

Note: the above is only specification data, please refer to the ordering guide for specific ordering.

# MD880 Multi Drive Product Specifications

## MD880-40 AFE rectifier

UN = 400 V (380~ 415 V) ,±10% (-15%,<1min) , Rated power according to 400V										
AFE Rectifier: MD880-40...	No Overload					Light Duty		Heavy Duty		Frame Size
	I <sub>N</sub>	I <sub>N</sub>	I <sub>Max</sub>	S <sub>N</sub>	P <sub>N</sub>	I <sub>Ld</sub>	P <sub>Ld</sub>	I <sub>Hd</sub>	P <sub>Hd</sub>	
	A (AC)	A (DC)	A (DC)	kVA	kW (DC)	A (DC)	kW (DC)	A (DC)	kW (DC)	
0575-4	575	657	854	398	394	631	379	493	296	BLCL+H8
0810-4	810	926	1204	561	556	889	533	694	417	BLCL+H8
1092-4	1092	1248	1623	757	749	1198	719	936	562	BLCL+2×H8
1539-4	1539	1759	2287	1066	1056	1689	1013	1319	792	BLCL+2×H8
2185-4	2185	2498	3247	1514	1499	2398	1439	1873	1124	2×(BLCL+2×H8)
3078-4	3078	3519	4574	2132	2111	3378	2027	2639	1583	2×(BLCL+2×H8)
4617-4	4617	5278	6861	3199	3167	5067	3040	3958	2357	3×(BLCL+2×H8)

UN = 690V (525~690V) ,±10% (-15%,<1min) , Rated power according to 690V										
AFE Rectifier: MD880-40...	No Overload					Light Duty		Heavy Duty		Frame Size
	I <sub>N</sub>	I <sub>N</sub>	I <sub>Max</sub>	S <sub>N</sub>	P <sub>N</sub>	I <sub>Ld</sub>	P <sub>Ld</sub>	I <sub>Hd</sub>	P <sub>Hd</sub>	
	A (AC)	A (DC)	A (DC)	kVA	kW (DC)	A (DC)	kW (DC)	A (DC)	kW (DC)	
0369-7	369	422	548	441	437	405	419	316	327	BLCL+H8
0540-7	540	617	802	645	639	593	613	463	479	BLCL+H8
0701-7	701	801	1042	838	829	769	796	601	622	BLCL+2×H8
1026-7	1026	1173	1525	1226	1214	1126	1165	880	910	BLCL+2×H8
1402-7	1402	1603	2083	1676	1659	1539	1592	1202	1244	2×(BLCL+2×H8)
2052-7	2052	2346	3049	2452	2428	2252	2331	1759	1821	2×(BLCL+2×H8)
3078-7	3078	3519	4574	3678	3642	3378	3496	2639	2731	3×(BLCL+2×H8)
4104-7	4104	4691	6099	4905	4856	4504	4661	3519	3642	4×(BLCL+2×H8)
5130-7	5130	5864	7632	6131	6069	5630	5827	4398	4552	5×(BLCL+2×H8)

Note: the above is only specification data, please refer to the ordering guide for specific ordering.

## MD880-50 Inverter

UN = 400V (380 ~ 415V) ,±10% (-15%,<1min) , Rated power according to 400V									
Inverter: MD880-50...	No Overload			Light Duty		Heavy Duty		Frame Size	
	I <sub>N</sub>	I <sub>max</sub>	P <sub>N</sub>	I <sub>Ld</sub>	P <sub>Ld</sub>	I <sub>Hd</sub>	P <sub>Hd</sub>		
	A (AC)	A (AC)	kW (AC)	A (AC)	kW (AC)	A (AC)	kW (AC)		
0009-4	9	11	3.7	9	3.7	5.1	2.2	H1	
0013-4	13	15.6	5.5	13	5.5	9	3.7	H1	
0017-4	17	21	7.5	17	7.5	13	5.5	H1	
0023-4	23	27	11	22	11	17	7.5	H1	
0033-4	33	40	15	32	15	25	11	H2	
0038-4	38	51	18.5	37	18.5	32	15	H2	
0048-4	48	59	22	45	22	37	18.5	H2	
0060-4	60	72	30	58	30	45	22	H3	
0078-4	78	96	37	75	37	60	30	H3	
0094-4	94	120	45	91	45	75	37	H3	
0116-4	116	146	55	112	55	91	45	H4	
0149-4	149	179	75	143	75	112	55	H4	
0183-4	183	240	90	176	90	150	75	H4	
0245-4	245	294	110	236	110	184	90	H6	
0299-4	299	358	132	287	132	224	110	H6	
0349-4	349	419	160	335	160	262	132	H7	
0395-4	395	486	200	380	200	296	160	H7	
0516-4	516	619	250	495	250	387	200	H8	
0639-4	639	766	355	613	315	479	250	H8	
0757-4	757	909	400	727	400	568	315	H8	
0900-4	900	1080	500	864	450	675	355	H8	
1213-4	1213	1456	630	1165	630	910	500	2×H8	
1439-4	1439	1727	800	1381	800	1079	630	2×H8	
1710-4	1710	2052	1000	1642	900	1283	710	2×H8	
2158-4	2158	2590	1200	2072	1200	1619	900	3×H8	
2565-4	2565	3078	1400	2072	1400	1924	1000	3×H8	
3420-4	3420	4104	1800	3283	1800	2565	1400	4×H8	
4275-4	4275	5130	2400	4104	2000	3206	1800	5×H8	
5130-4	5130	6156	2800	4925	2400	3848	2000	6×H8	

Note: the above is only specification data, please refer to the ordering guide for specific ordering.



# MD880 Multi Drive Product Specifications

## MD880-50 Inverter

UN = 690V (525 ~ 690V) ,±10% (-15%,<1min) , Rated power according to 690V								
Inverter: MD880-50...	No Overload			Light Duty		Heavy Duty		Frame Size
	$I_N$	$I_{max}$	$P_N$	$I_{Ld}$	$P_{Ld}$	$I_{Hd}$	$P_{Hd}$	
	A (AC)	A (AC)	kW (AC)	A (AC)	kW (AC)	A (AC)	kW (AC)	
0062-7	62	74	55	60	55	46	45	H6
0082-7	82	98	75	79	75	61	55	H6
0099-7	99	118	90	95	90	74	75	H6
0125-7	125	150	110	120	110	94	90	H6
0144-7	144	173	132	138	132	108	110	H6
0192-7	192	230	160	184	160	144	132	H6
0217-7	217	259	200	215	200	162	160	H7
0270-7	270	323	250	260	250	202	200	H7
0340-7	340	408	315	326	315	255	250	H8
0410-7	410	492	400	394	355	308	315	H8
0530-7	530	636	500	509	450	398	355	H8
0600-7	600	720	560	576	560	450	400	H8
0779-7	779	935	800	748	710	584	560	2×H8
1007-7	1007	1208	1000	967	900	755	710	2×H8
1140-7	1140	1368	1100	1094	1000	855	800	2×H8
1510-7	1510	1813	1400	1450	1400	1133	1100	3×H8
1710-7	1710	2052	1600	1642	1600	1283	1200	3×H8
2280-7	2280	2736	2000	2189	2000	1710	1600	4×H8
2850-7	2850	3420	2800	2736	2400	2138	2000	5×H8
3420-7	3420	4104	3200	3283	3200	2565	2400	6×H8
3990-7	3990	4788	3600	3830	3600	2993	2800	7×H8
4560-7	4560	5472	4400	4378	4000	3420	3200	8×H8
5130-7	5130	6156	4800	4925	4800	3848	3600	9×H8
5700-7	5700	6840	5600	5472	5200	4275	4000	10×H8

Note: the above is only specification data, please refer to the ordering guide for specific ordering.

## MD880-60 3-phase Braking Module

Braking module: MD880-60...	Braking Resistor (Ohm) Single phase		Braking Voltage Threshold	No Overload			Braking Cycle Time\ (1min/5min)			
	$\Omega$			$I_{dc}$	$I_{rms}$	P	$I_{dc}$	$I_{rms}$	P	
				A(DC)	A(AC)	kW	A(DC)	A(AC)	kW	
0500-4	$R_{min}$	1.7	653	781	310	500	999	351	640	
	$R_{max}$	2.1		781	282	500	827	291	530	
0750-4	$R_{min}$	1.2		1171	465	750	1499	527	960	
	$R_{max}$	1.4		1171	424	750	1241	436	800	
0870-7	$R_{min}$	3.0		1126	781	310	870	999	351	1110
	$R_{max}$	3.6			781	283	870	833	293	920
1300-7	$R_{min}$	2.0	1171		465	1300	1499	527	1660	
	$R_{max}$	2.4	1171		425	1300	1249	439	1390	

## MD880-60 3-phase Braking Module Ordering Guide

Braking Module MD880-60...	Frame Size	Ordering No.	Qty.	Remark
0500-4	H8	1.MD880-60M-0500-4	1	3-phase braking module
		2.HCU-60	1	Control Unit for 60M
		3.H8-quick-kit	1	H8 Quick Connection Kit
0750-4	H8	1.MD880-60M-0750-4	1	3-phase braking module
		2.HCU-60	1	Control Unit for 60M
		3.H8-quick-kit	1	H8 Quick Connection Kit
0870-7	H8	1.MD880-60M-0870-7	1	3-phase braking module
		2.HCU-60	1	Control Unit for 60M
		3.H8-quick-kit	1	H8 Quick Connection Kit
1300-7	H8	1.MD880-60M-1300-7	1	3-phase braking module
		2.HCU-60	1	Control Unit for 60M
		3.H8-quick-kit	1	H8 Quick Connection Kit

# MD880 Multi Drive Ordering Guide

## MD880-20 Basic Rectifier

BMD880-20asic Rectifier: ...	Frame Size	Ordering No.	Qty.	Remark
0718-4	T2	1.MD880-20M-0718-4	1	Basic Rectifier
		2.HCU-20	1	Control Unit for 20M
		3.T2-quick-kit	1	T2 Quick Connection kit
0982-4	T2	1.MD880-20M-0982-4	1	Basic Rectifier
		2.HCU-20	1	Control Unit for 20M
		3.T2-quick-kit	1	T2 Quick Connection kit
1336-4	2×T2	1.MD880-20M-0718-4	2	Basic Rectifier
		2.HCU-20	1	Control Unit for 20M
		3.HPCU-40	1	Parallel Running Control
		4.T2-quick-kit	2	T2 Quick Connection kit
1826-4	2×T2	1.MD880-20M-0982-4	2	Basic Rectifier
		2.HCU-20	1	Control Unit for 20M
		3.HPCU-40	1	Parallel Running Control
		4.T2-quick-kit	2	T2 Quick Connection kit
2739-4	3×T2	1.MD880-20M-0982-4	3	Basic Rectifier
		2.HCU-20	1	Control Unit for 20M
		3.HPCU-40	1	Parallel Running Control
		4.T2-quick-kit	3	T2 Quick Connection kit
3651-4	4×T2	1.MD880-20M-0982-4	4	Basic Rectifier
		2.HCU-20	1	Control Unit for 20M
		3.HPCU-40	1	Parallel Running Control
		4.T2-quick-kit	4	T2 Quick Connection kit
4564-4	5×T2	1.MD880-20M-0982-4	5	Basic Rectifier
		2.HCU-20	1	Control Unit for 20M
		3.HPCU-60	1	Parallel Running Control
		4.T2-quick-kit	5	T2 Quick Connection kit
5477-4	6×T2	1.MD880-20M-0982-4	6	Basic Rectifier
		2.HCU-20	1	Control Unit for 20M
		3.HPCU-60	1	Parallel Running Control
		4.T2-quick-kit	6	T2 Quick Connection kit

Basic Rectifier: MD880-20...	Frame Size	Ordering No.	Qty.	Remark
0570-7	T2	1.MD880-20M-0570-7	1	Basic Rectifier
		2.HCU-20	1	Control Unit for 20M
		3.T2-quick-kit	1	T2 Quick Connection kit
0815-7	T2	1.MD880-20M-0815-7	1	Basic Rectifier
		2.HCU-20	1	Control Unit for 20M
		3.T2-quick-kit	1	T2 Quick Connection kit
1061-7	2×T2	1.MD880-20M-0570-7	2	Basic Rectifier
		2.HCU-20	1	Control Unit for 20M
		3.HPCU-40	1	Parallel Running Control
		4.T2-quick-kit	2	T2 Quick Connection kit
1515-7	2×T2	1.MD880-20M-0815-7	2	Basic Rectifier
		2.HCU-20	1	Control Unit for 20M
		3.HPCU-40	1	Parallel Running Control
		4.T2-quick-kit	2	T2 Quick Connection kit
2273-7	3×T2	1.MD880-20M-0815-7	3	Basic Rectifier
		2.HCU-20	1	Control Unit for 20M
		3.HPCU-40	1	Parallel Running Control
		4.T2-quick-kit	3	T2 Quick Connection kit
3031-7	4×T2	1.MD880-20M-0815-7	4	Basic Rectifier
		2.HCU-20	1	Control Unit for 20M
		3.HPCU-40	1	Parallel Running Control
		4.T2-quick-kit	4	T2 Quick Connection kit
3788-7	5×T2	1.MD880-20M-0815-7	5	Basic Rectifier
		2.HCU-20	1	Control Unit for 20M
		3.HPCU-60	1	Parallel Running Control
		4.T2-quick-kit	5	T2 Quick Connection kit
4546-7	6×T2	1.MD880-20M-0815-7	6	Basic Rectifier
		2.HCU-20	1	Control Unit for 20M
		3.HPCU-60	1	Parallel Running Control
		4.T2-quick-kit	6	T2 Quick Connection kit

Note: when T2-quick-kit (option) is not selected, copper bar is needed for connecting input power cable to rectifier AC input.

# MD880 Multi Drive Ordering Guide

## MD880-30 Regenerative Rectifier

Regenerative Rectifier: MD880-30...	Frame Size	Ordering No.	Qty.	Remark
0640-4	L+H8	1. MD880-30K-0640-4	1	Regen. Rect. Frame Package
		2. HCU-30	1	Control Unit for 30M
		3. HOFM-10	1	Optical Expansion
		4. HSVM-10	1	Voltage Sensing Module
0900-4	L+H8	1. MD880-30K-0900-4	1	Regen. Rect. Frame Package
		2. HCU-30	1	Control Unit for 30M
		3. HOFM-10	1	Optical Expansion
		4. HSVM-10	1	Voltage Sensing Module
1190-4	L+2×H8	1. MD880-30K-1190-4	1	Regen. Rect. Frame Package
		2. HCU-30	1	Control Unit for 30M
		3. HPCU-40	1	Parallel Running Control
		4. HOFM-10	1	Optical Expansion
		5. HSVM-10	1	Voltage Sensing Module
1674-4	L+2×H8	1. MD880-30K-1674-4	1	Regen. Rect. Frame Package
		2. HCU-30	1	Control Unit for 30M
		3. HPCU-40	1	Parallel Running Control
		4. HOFM-10	1	Optical Expansion
		5. HSVM-10	1	Voltage Sensing Module
2380-4	2×(L+2×H8)	1. MD880-30K-1190-4	2	Regen. Rect. Frame Package
		2. HCU-30	1	Control Unit for 30M
		3. HPCU-40	1	Parallel Running Control
		4. HOFM-10	1	Optical Expansion
		5. HSVM-10	1	Voltage Sensing Module
3348-4	2×(L+2×H8)	1. MD880-30K-1674-4	2	Regen. Rect. Frame Package
		2. HCU-30	1	Control Unit for 30M
		3. HPCU-40	1	Parallel Running Control
		4. HOFM-10	1	Optical Expansion
		5. HSVM-10	1	Voltage Sensing Module
5022-4	3×(L+2×H8)	1. MD880-30K-1674-4	3	Regen. Rect. Frame Package
		2. HCU-30	1	Control Unit for 30M
		3. HPCU-60	1	Parallel Running Control
		4. HOFM-10	1	Optical Expansion
		5. HSVM-10	1	Voltage Sensing Module

回馈整流型号 MD880-30...	Frame Size	Ordering No.	Qty.	Remark
0600-7	L+H8	1. MD880-30K-0600-7	1	Regen. Rect. Frame Package
		2. HCU-30	1	Control Unit for 30M
		3. HOFM-10	1	Optical Expansion
		4. HSVM-10	1	Voltage Sensing Module
0900-7	L+H8	1. MD880-30K-0900-7	1	Regen. Rect. Frame Package
		2. HCU-30	1	Control Unit for 30M
		3. HOFM-10	1	Optical Expansion
		4. HSVM-10	1	Voltage Sensing Module
1116-7	L+2×H8	1. MD880-30K-1116-7	1	Regen. Rect. Frame Package
		2. HCU-30	1	Control Unit for 30M
		3. HPCU-40	1	Parallel Running Control
		4. HOFM-10	1	Optical Expansion
		5. HSVM-10	1	Voltage Sensing Module
1674-7	L+2×H8	1. MD880-30K-1674-7	1	Regen. Rect. Frame Package
		2. HCU-30	1	Control Unit for 30M
		3. HPCU-40	1	Parallel Running Control
		4. HOFM-10	1	Optical Expansion
		5. HSVM-10	1	Voltage Sensing Module
2232-7	2×(L+2×H8)	1. MD880-30K-1116-7	2	Regen. Rect. Frame Package
		2. HCU-30	1	Control Unit for 30M
		3. HPCU-40	1	Parallel Running Control
		4. HOFM-10	1	Optical Expansion
		5. HSVM-10	1	Voltage Sensing Module
3348-7	2×(L+2×H8)	1. MD880-30K-1674-7	2	Regen. Rect. Frame Package
		2. HCU-30	1	Control Unit for 30M
		3. HPCU-40	1	Parallel Running Control
		4. HOFM-10	1	Optical Expansion
		5. HSVM-10	1	Voltage Sensing Module
5022-7	3×(L+2×H8)	1. MD880-30K-1674-7	3	Regen. Rect. Frame Package
		2. HCU-30	1	Control Unit for 30M
		3. HPCU-60	1	Parallel Running Control
		4. HOFM-10	1	Optical Expansion
		5. HSVM-10	1	Voltage Sensing Module

# MD880 Multi Drive Ordering Guide

## MD880-40 AFE Rectifier

AFE Rectifier: MD880-40...	Frame Size	Ordering No.	Qty.	Remark
0575-4	BLCL+H8	1.MD880-40K-0575-4	1	AFE Rect. Frame Package
		2. HCU-40	1	Control Unit for 40M
		3. HOFM-10	1	Optical Expansion
		4. HSVM-10	1	Voltage Sensing Module
0810-4	BLCL+H8	1. MD880-40K-0810-4	1	Regen. Rect. Frame Package
		2. HCU-40	1	Control Unit for 40M
		3. HOFM-10	1	Optical Expansion
		4. HSVM-10	1	Voltage Sensing Module
1092-4	BLCL+2H8	1. MD880-40K-1092-4	1	AFE Rect. Frame Package
		2. HCU-40	1	Control Unit for 40M
		3. HPCU-40	1	Parallel Running Control
		4. HOFM-10	1	Optical Expansion
		5. HSVM-10	1	Voltage Sensing Module
1539-4	BLCL+2H8	1. MD880-40K-1539-4	1	AFE Rect. Frame Package
		2. HCU-40	1	Control Unit for 40M
		3. HPCU-40	1	Parallel Running Control
		4. HOFM-10	1	Optical Expansion
		5. HSVM-10	1	Voltage Sensing Module
2185-4	2*(BLCL+2H8)	1.MD880-40K-1092-4	2	AFE Rect. Frame Package
		2. HCU-40	1	Control Unit for 40M
		3. HPCU-40	1	Parallel Running Control
		4. HOFM-10	1	Optical Expansion
		5. HSVM-10	1	Voltage Sensing Module
3078-4	2*(BLCL+2H8)	1.MD880-40K-1539-4	2	AFE Rect. Frame Package
		2. HCU-40	1	Control Unit for 40M
		3. HPCU-40	1	Parallel Running Control
		4. HOFM-10	1	Optical Expansion
		5. HSVM-10	1	Voltage Sensing Module
4617-4	3*(BLCL+2H8)	1.MD880-40K-1539-4	3	AFE Rect. Frame Package
		2. HCU-40	1	Control Unit for 40M
		3. HPCU-60	1	Parallel Running Control
		4. HOFM-10	1	Optical Expansion
		5. HSVM-10	1	Voltage Sensing Module

AFE Rectifier: MD880-40...	Frame Size	Ordering No.	Qty.	Remark
0369-7	BLCL+H8	1.MD880-40K-0369-7	1	AFE Rect. Frame Package
		2. HCU-40	1	Control Unit for 40M
		3. HOFM-10	1	Optical Expansion
		4. HSVM-10	1	Voltage Sensing Module
0540-7	BLCL+H8	1.MD880-40K-0540-7	1	Regen. Rect. Frame Package
		2. HCU-40	1	Control Unit for 40M
		3. HOFM-10	1	Optical Expansion
		4. HSVM-10	1	Voltage Sensing Module
0701-7	BLCL+2H8	1.MD880-40K-0701-7	1	AFE Rect. Frame Package
		2. HCU-40	1	Control Unit for 40M
		3. HPCU-40	1	Parallel Running Control
		4. HOFM-10	1	Optical Expansion
		5. HSVM-10	1	Voltage Sensing Module
1026-7	BLCL+2H8	1.MD880-40K-1026-7	1	AFE Rect. Frame Package
		2. HCU-40	1	Control Unit for 40M
		3. HPCU-40	1	Parallel Running Control
		4. HOFM-10	1	Optical Expansion
		5. HSVM-10	1	Voltage Sensing Module
1402-7	2*(BLCL+2H8)	1.MD880-40K-0701-7	2	AFE Rect. Frame Package
		2. HCU-40	1	Control Unit for 40M
		3. HPCU-40	1	Parallel Running Control
		4. HOFM-10	1	Optical Expansion
		5. HSVM-10	1	Voltage Sensing Module
2052-7	2*(BLCL+2H8)	1.MD880-40K-1026-7	2	AFE Rect. Frame Package
		2. HCU-40	1	Control Unit for 40M
		3. HPCU-40	1	Parallel Running Control
		4. HOFM-10	1	Optical Expansion
		5. HSVM-10	1	Voltage Sensing Module
3078-7	3*(BLCL+2H8)	1.MD880-40K-1026-7	3	AFE Rect. Frame Package
		2. HCU-40	1	Control Unit for 40M
		3. HPCU-60	1	Parallel Running Control
		4. HOFM-10	1	Optical Expansion
		5. HSVM-10	1	Voltage Sensing Module
4104-7	4*(BLCL+2H8)	1.MD880-40K-1026-7	4	AFE Rect. Frame Package
		2. HCU-40	1	Control Unit for 40M
		3. HPCU-A0	1	Parallel Running Control
		4. HOFM-10	1	Optical Expansion
		5. HSVM-10	1	Voltage Sensing Module
5130-7	5*(BLCL+2H8)	1.MD880-40K-1026-7	5	AFE Rect. Frame Package
		2. HCU-40	1	Control Unit for 40M
		3. HPCU-A0	1	Parallel Running Control
		4. HOFM-10	1	Optical Expansion
		5. HSVM-10	1	Voltage Sensing Module

# MD880 Multi Drive Ordering Guide

## MD880-50 Inverter

Inverter: MD880-50...	Frame Size	Ordering No.	Qty.	Remark
0009-4	H1	1.MD880-50M-0009-4	1	Inverter
0013-4	H1	1.MD880-50M-0013-4	1	Inverter
0017-4	H1	1.MD880-50M-0017-4	1	Inverter
0023-4	H1	1.MD880-50M-0023-4	1	Inverter
0033-4	H2	1.MD880-50M-0033-4	1	Inverter
0038-4	H2	1.MD880-50M-0038-4	1	Inverter
0048-4	H2	1.MD880-50M-0048-4	1	Inverter
0060-4	H2	1.MD880-50M-0060-4	1	Inverter
0078-4	H3	1.MD880-50M-0078-4	1	Inverter
0094-4	H3	1.MD880-50M-0094-4	1	Inverter
0116-4	H4	1.MD880-50M-0116-4	1	Inverter
0149-4	H4	1.MD880-50M-0149-4	1	Inverter
0183-4	H4	1.MD880-50M-0183-4	1	Inverter
0245-4	H6	1.MD880-50M-0245-4	1	Inverter
0299-4	H6	1.MD880-50M-0299-4	1	Inverter
0349-4	H7	1.MD880-50M-0349-4	1	Inverter
0395-4	H7	1.MD880-50M-0395-4	1	Inverter
0516-4	H8	1.MD880-50M-0516-4	1	Inverter
		2.HCU-50	1	Control Unit for 50M
		3.H8-quick-kit	1	H8 quick connection kit
0639-4	H8	1.MD880-50M-0639-4	1	Inverter
		2.HCU-50	1	Control Unit for 50M
		3.H8-quick-kit	1	H8 quick connection kit
0757-4	H8	1.MD880-50M-0757-4	1	Inverter
		2.HCU-50	1	Control Unit for 50M
		3.H8-quick-kit	1	H8 quick connection kit
0900-4	H8	1.MD880-50M-0900-4	1	Inverter
		2.HCU-50	1	Control Unit for 50M
		3.H8-quick-kit	1	H8 quick connection kit
1213-4	2×H8	1.MD880-50M-0639-4	2	Inverter
		2.HCU-50	1	Control Unit for 50M
		3.HPCU-40	1	Parallel Running Control
		4.H8-quick-kit	2	H8 quick connection kit

Inverter: MD880-50...	Frame Size	Ordering No.	Qty.	Remark
1439-4	2×H8	1.MD880-50M-0757-4	2	Inverter
		2.HCU-50	1	Control Unit for 50M
		3.HPCU-40	1	Parallel Running Control
		4.H8-quick-kit	2	H8 quick connection kit
1710-4	2×H8	1.MD880-50M-0900-4	2	Inverter
		2.HCU-50	1	Control Unit for 50M
		3.HPCU-40	1	Parallel Running Control
		4.H8-quick-kit	2	H8 quick connection kit
2158-4	3×H8	1.MD880-50M-0757-4	3	Inverter
		2.HCU-50	1	Control Unit for 50M
		3.HPCU-40	1	Parallel Running Control
		4.H8-quick-kit	3	H8 quick connection kit
2565-4	3×H8	1.MD880-50M-0900-4	3	Inverter
		2.HCU-50	1	Control Unit for 50M
		3.HPCU-40	1	Parallel Running Control
		4.H8-quick-kit	3	H8 quick connection kit
3420-4	4×H8	1.MD880-50M-0900-4	4	Inverter
		2.HCU-50	1	Control Unit for 50M
		3.HPCU-40	1	Parallel Running Control
		4.H8-quick-kit	4	H8 quick connection kit
4275-4	5×H8	1.MD880-50M-0900-4	5	Inverter
		2.HCU-50	1	Control Unit for 50M
		3.HPCU-60	1	Parallel Running Control
		4.H8-quick-kit	5	H8 quick connection kit
5130-4	6×H8	1.MD880-50M-0900-4	6	Inverter
		2.HCU-50	1	Control Unit for 50M
		3.HPCU-60	1	Parallel Running Control
		4.H8-quick-kit	6	H8 quick connection kit
0062-7	H6	1.MD880-50M-0062-7	1	Inverter
0082-7	H6	1.MD880-50M-0082-7	1	Inverter
0099-7	H6	1.MD880-50M-0099-7	1	Inverter
0125-7	H6	1.MD880-50M-0125-7	1	Inverter

# MD880 Multi Drive Ordering Guide

## MD880-50 Inverter

Inverter: MD880-50...	Frame Size	Ordering No.	Qty.	Remark
0144-7	H6	1.MD880-50M-0144-7	1	Inverter
0192-7	H6	1.MD880-50M-0192-7	1	Inverter
0217-7	H7	1.MD880-50M-0217-7	1	Inverter
0270-7	H7	1.MD880-50M-0270-7	1	Inverter
0340-7	H8	1.MD880-50M-0340-7	1	Inverter
		2.HCU-50	1	Control Unit for 50M
		3.H8-quick-kit	1	H8 quick connection kit
0410-7	H8	1.MD880-50M-0410-7	1	Inverter
		2.HCU-50	1	Control Unit for 50M
		3.H8-quick-kit	1	H8 quick connection kit
0530-7	H8	1.MD880-50M-0530-7	1	Inverter
		2.HCU-50	1	Control Unit for 50M
		3.H8-quick-kit	1	H8 quick connection kit
0600-7	H8	1.MD880-50M-0600-7	1	Inverter
		2.HCU-50	1	Control Unit for 50M
		3.H8-quick-kit	1	H8 quick connection kit
0779-7	2×H8	1.MD880-50M-0410-7	2	Inverter
		2.HCU-50	1	Control Unit for 50M
		3.HPCU-40	1	Parallel Running Control
		4.H8-quick-kit	2	H8 quick connection kit
1007-7	2×H8	1.MD880-50M-0530-7	2	Inverter
		2.HCU-50	1	Control Unit for 50M
		3.HPCU-40	1	Parallel Running Control
		4.H8-quick-kit	2	H8 quick connection kit
1140-7	2×H8	1.MD880-50M-0600-7	2	Inverter
		2.HCU-50	1	Control Unit for 50M
		3.HPCU-40	1	Parallel Running Control
		4.H8-quick-kit	2	H8 quick connection kit
1510-7	3×H8	1.MD880-50M-0530-7	3	Inverter
		2.HCU-50	1	Control Unit for 50M
		3.HPCU-40	1	Parallel Running Control
		4.H8-quick-kit	3	H8 quick connection kit

Inverter: MD880-50...	Frame Size	Ordering No.	Qty.	Remark
1710-7	3×H8	1.MD880-50M-0600-7	3	Inverter
		2.HCU-50	1	Control Unit for 50M
		3.HPCU-40	1	Parallel Running Control
		4.H8-quick-kit	3	H8 quick connection kit
2280-7	4×H8	1.MD880-50M-0600-7	4	Inverter
		2.HCU-50	1	Control Unit for 50M
		3.HPCU-40	1	Parallel Running Control
		4.H8-quick-kit	4	H8 quick connection kit
2850-7	5×H8	1.MD880-50M-0600-7	5	Inverter
		2.HCU-50	1	Control Unit for 50M
		3.HPCU-60	1	Parallel Running Control
		4.H8-quick-kit	5	H8 quick connection kit
3420-7	6×H8	1.MD880-50M-0600-7	6	Inverter
		2.HCU-50	1	Control Unit for 50M
		3.HPCU-60	1	Parallel Running Control
		4.H8-quick-kit	6	H8 quick connection kit
3990-7	7×H8	1.MD880-50M-0600-7	7	Inverter
		2.HCU-50	1	Control Unit for 50M
		3.HPCU-A0	1	Parallel Running Control
		4.H8-quick-kit	7	H8 quick connection kit
4560-7	8×H8	1.MD880-50M-0600-7	8	Inverter
		2.HCU-50	1	Control Unit for 50M
		3.HPCU-A0	1	Parallel Running Control
		4.H8-quick-kit	8	H8 quick connection kit
5130-7	9×H8	1.MD880-50M-0600-7	9	Inverter
		2.HCU-50	1	Control Unit for 50M
		3.HPCU-A0	1	Parallel Running Control
		4.H8-quick-kit	9	H8 quick connection kit
5700-7	10×H8	1.MD880-50M-0600-7	10	Inverter
		2.HCU-50	1	Control Unit for 50M
		3.HPCU-A0	1	Parallel Running Control
		4.H8-quick-kit	10	H8 quick connection kit

Note: when H8-quick-kit (option) is not selected, copper bar is needed for connecting input power cable to rectifier AC input.